

### 1. UNPACKING

After opening the box, check if all necessary accessories are included as per figure 1.

- |                  |                   |
|------------------|-------------------|
| 1) AW frame assy | 1 Pc.             |
| 2) AW cover      | 1 Pc.             |
| 3) Reel shaft    | 1 Pc.             |
| 4) Reel frange   | 1 Pc.             |
| 5) Paper cover   | 1 Pc.             |
| 6) Screw (M3×12) | 2 Pcs.            |
| 7) Screw (M3×6)  | 1 Pc.             |
| 8) Binder        | 1 Pc.             |
| 9) Lock          | (1) Set. (Option) |

### 2. ASSEMBLY

#### 2-1 AW frame assy

Hook the hooks of AW-3 in the slot on rear side the printer.

And fix the AW-3 frame assy with the screws (M3×12) as per figure 2.

#### 2-2 Connecting the winder cable

Fix the cable binder by screw (M3×6) and the earth terminal to the printer chassis by the screw with a star washer which is already mounted on the chassis. Connect the cable as per figure 3, 4.

#### 2-3 AW cover

1) Without lock option as per figure 5.

**Remarks.** Prior to use the writing table, remove the paper cover from AW-3 First.

2) With lock option as per figure 6.

When remove or fix the AW cover, keep the key position open. The key can be removed only at lock position.

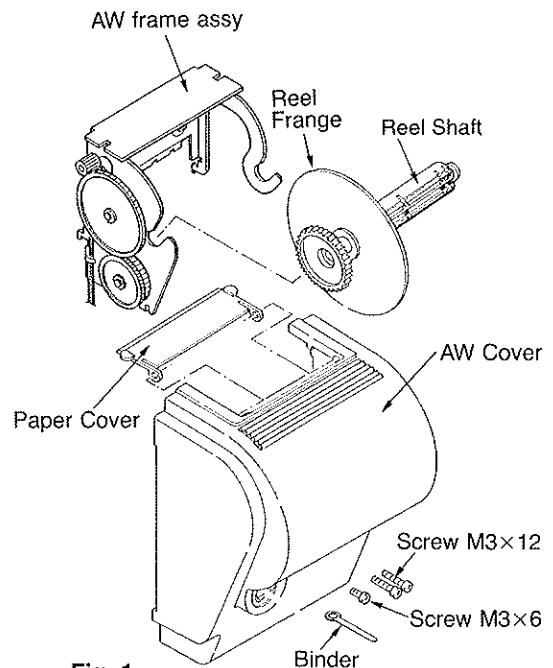


Fig. 1

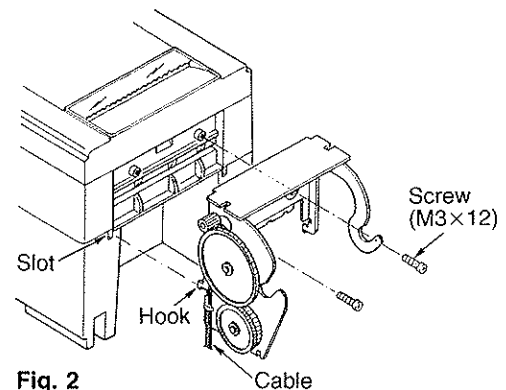


Fig. 2

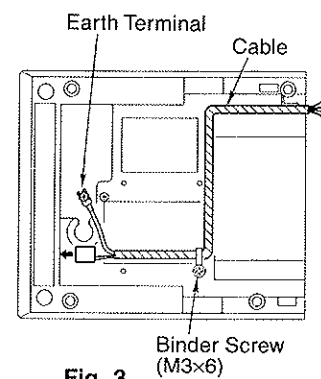


Fig. 3

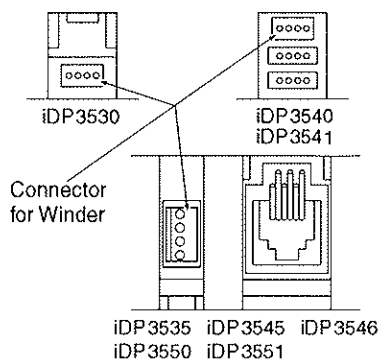


Fig. 4

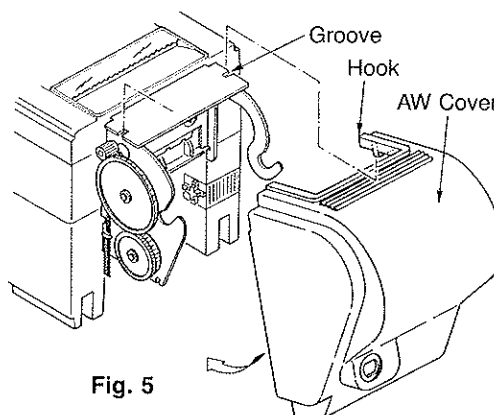


Fig. 5

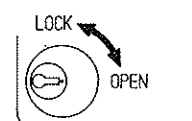


Fig. 6

### 3. PAPER INSERTION

#### 3-1 Model: iDP3530, 3535, 3540, 3545, 3550

Please do not remove paper cover. Because the paper cover parts the 2-play paper to journal and receipt paper as figure 7.

Writing table (option)

a) Singniture on both receipt and journal paper  
Both paper should come out from the paper exit as per figure 8.

b) Singniture on receipt paper only

The receipt paper should come out from paper exit and the journal paper should come out from backside of printer through the gap under writing table as per figure 9.

#### 3-2 Model: iDP3541, 3546, 3551 (Auto cutter type)

The receipt paper should come out from paper exit through autocutter and the journal paper should come out from backside of printer through the gap under autocutter as per figure 10.

**Remarks.** Cut off the point "A" as per figure 11. by a knife etc. and tear off the part shown by slashes.

#### 3-3 Setting the reel

Insert the end of paper in the groove of the reel shaft as per figure 12, And press the LF switch to roll it two or three turns.

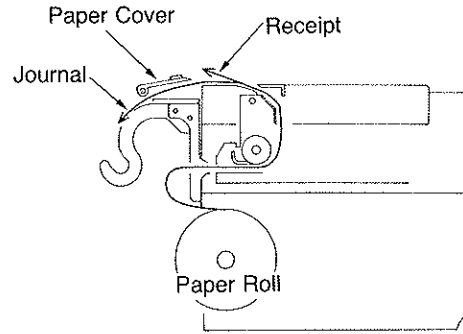


Fig. 7

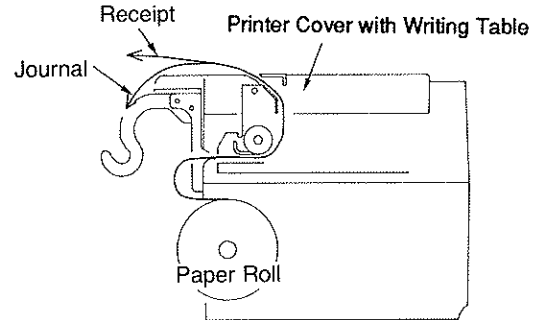


Fig. 8

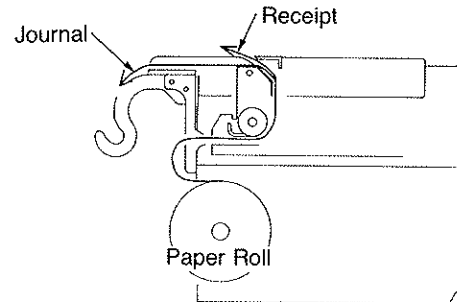


Fig. 9

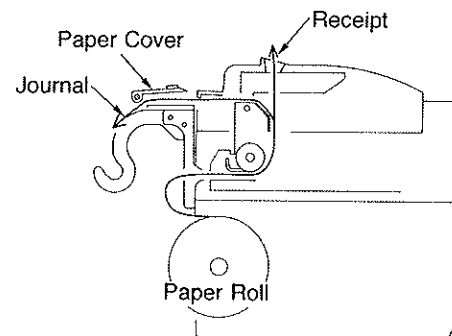


Fig. 10

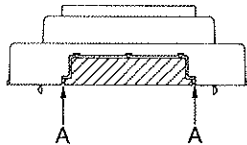


Fig. 11

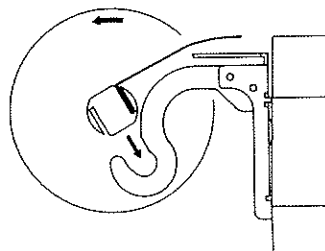


Fig. 12

All specifications are subject to change without notice.

CITIZEN SYSTEMS JAPAN CO.,LTD.

Printed in Japan