

CLP-6001/6002

User's Manual

CITIZEN.

FCC COMPLIANCE STATEMENT FOR AMERICAN USERS

This equipment has been tested and found to comply with the limits for a Class A digital device, pursuant to Part 15 of the FCC Rules. These limits are designed to provide reasonable protection against harmful interference when the equipment is operated in a commercial environment. This equipment generates, uses, and can radiate radio frequency energy and, if not installed and used in accordance with the instruction manual, may cause harmful interference to radio communications. Operation of this equipment in a residential area is likely to cause harmful interference in which case the user will be required to correct the interference at his own expense.

"DESIGNED AND MANUFACTURED TO BE EQUIVALENT TO EUROPEAN
STANDARD FOR ITE, EN60950."

EMI COMPLIANCE STATEMENT FOR CANADIAN USERS

This equipment generates and uses radio frequency energy and if not installed and used properly, that is, in strict accordance with the manufacturer's instructions, may cause interference to radio and television reception. This digital apparatus does not exceed the Class A limits for radio noise emissions from digital apparatus set out in the Radio Interference Regulations of the Canadian Department of Communications. This equipment is designed to provide reasonable protection against such interference in a residential installation. However, there is no guarantee that interference will not occur in a particular installation. If this equipment does cause interference to radio or television reception, which can be determined by turning the equipment off and on, the user is encouraged to try to correct the interference by one or more of the following measures:

- Reorient or relocate the receiving antenna.
- Increase the separation between the equipment and receiver.
- Connect the equipment into an outlet on a circuit different from that to which the receiver is connected.
- Consult the dealer or an experienced radio/TV technician for help.

CAUTION: Use shielded cables to connect this device to computers.

Any changes or modifications not expressly approved by the grantee of this device could void the user's authority to operate the equipment.

ETAT DE CONFORMITE EMI A L'USAGE DES UTILISATEURS CANADIENS

Cet équipement produit et utilise l'énergie à radiofréquences et s'il n'est pas installé et utilisé correctement, c'est à dire en accord strict avec les instructions du fabricant, il risque de provoquer des interférences avec la réception de la radio et de la télévision.

Le présent appareil numérique n'émet pas de bruits radioélectriques dépassant les limites applicables aux appareils numériques de la classe A prescrites dans le Règlement sur le brouillage radioélectrique édicté par le ministère des Communications du Canada.

Cet équipement est conçu pour fournir une protection satisfaisante contre de telles interférences dans une installation résidentielle. Cependant, il n'y a pas de garantie contre les interférences avec les réceptions radio ou télévision, provoquées par la mise en et hors circuit de l'équipement; aussi, il est demandé à l'utilisateur d'essayer de corriger l'interférence par l'une ou plus des mesures suivantes:

- Réorienter l'antenne de réception.
- Installer l'ordinateur autre part, par égard pour le récepteur.
- Brancher l'ordinateur dans une prise de courant différente de façon à ce que l'ordinateur et le récepteur soient branchés sur des circuits différents.

Important Safety Instructions

1. Read all of these instructions and save them for later reference.
2. Follow all warnings and instructions marked on the product.
3. Unplug this product from the wall outlet before cleaning. Do not use liquid or aerosol cleaners. Use a damp cloth for cleaning.
4. Do not use this product near water.
5. Do not place this product on an unstable cart, stand or table. The product may fall, causing serious damage to the product.
6. Slots and openings on the cabinet and the back or bottom are provided for ventilation.
To ensure reliable operation of the product and to protect it from overheating, do not block or cover these openings. The openings should never be blocked by placing the product on a bed, sofa, rug or other similar surface. This product should never be placed near or over a radiator or heat register. This product should not be placed in a built-in installation unless proper ventilation is provided.
7. This product should be operated from the type of power source indicated on the marking label. If you are not sure of the type of power available, consult your dealer or local power company.
8. This product is equipped with a three-pronged plug, a plug having a third (grounding) pin. This plug will only fit into a grounding-type power outlet. This is a safety feature. If you are unable to insert the plug into the outlet, contact your electrician to replace your obsolete outlet. Do not defeat the safety purpose of the grounding-type plug.
9. Do not allow anything to rest on the power cord. Do not locate this product where the cord will be walked on.
10. If an extension cord is used with this product, make sure that the total of the ampere ratings on the products plugged into the extension cord do not exceed the extension cord ampere rating. Also, make sure that the total of all products plugged into the wall outlet does not exceed 15 amperes for 120V outlet and 7.5 amperes for 220–240V outlet.
11. Never push objects of any kind into this product through cabinet slots as they may touch dangerous voltage points or short out parts that could result in a risk of fire or electric shock. Never spill liquid of any kind on the product.
12. Except as explained elsewhere in this manual, don't attempt to service this product yourself. Opening and removing those covers that are marked "Do Not Remove" may expose you to dangerous voltage points or other risks. Refer all servicing on those compartments to service personnel.
13. The mains plug on this equipment must be used to disconnect mains power. Please ensure that the socket outlet is installed near the equipment and shall be easily accessible.
14. Unplug this product from the wall outlet and refer servicing to qualified service personnel under the following conditions:
 - A. When the power cord or plug is damaged or frayed.
 - B. If liquid has been spilled into the product.
 - C. If the product has been exposed to rain or water.
 - D. If the product does not operate normally when the operating instructions are followed. Adjust only those controls that are covered by the operating instructions since improper adjustment of other controls may result in damage and will often require extensive work by a qualified technician to restore the product to normal operation.
 - E. If the product has been dropped or the cabinet has been damaged.
 - F. If the product exhibits a distinct change in performance, indicating a need for service.

Notice

1. Before use, be sure to read this manual. And keep it handy for reference when needed.
2. The contents of this manual may be changed without prior notice.
3. Reproduction, transfer, or transmission of the contents of this manual without prior consent is strictly prohibited.
4. We are not liable for any damage resulting from the use of the information contained herein, regardless of errors, omissions, or misprints.
5. We are not liable for any problems resulting from the use of optional products and consumable supplies other than the designated products contained herein.
6. Do not handle, disassemble or repair the parts other than those specified in this manual.
7. We are not liable for any damage caused by user's erroneous use of the printer and inadequate environment.
8. Data residing in the printer is temporary. Therefore, all data will be lost if power is lost. We are not liable for any damage or loss of profits caused by data loss due to failures, repairs, inspections, etc.
9. Please contact us if there are any mistakes or ambiguities within this manual.
10. If there are missing or incorrectly collated pages in this manual, contact us to obtain a new manual.

Trademarks or registered trademarks of other companies and products are included in this manual.

CE marking shows conformity to the following criteria and provisions:

Low Voltage Directive (73/23/EEC)/EN60950

EMC Directive (89/336/EEC)/EN55022 & EN50082-1

SAFETY SIGNS

— must be strictly observed !

- To prevent personal injury or property damage, the following shall be strictly observed.
- The degree of possible injury and damage due to incorrect use or improperly following instructions is described below.



WARNING

Indicates a situation which, if not observed and handled properly, could result in death or serious injury.



CAUTION

Indicates a situation which, if not observed and handled properly, could result in injury.



This is a mark to call attention to the reader.



WARNING

- Never perform the following. If not avoided, these may cause damage or trouble to the printer or cause the printer to overheat and release smoke and cause burns or an electrical shock. If the printer is damaged or is malfunctioning, be sure to turn the power off and remove the power cord from the outlet, then consult our service personnel.
 - Do not jolt or impact to the printer by stepping on, dropping or hitting the printer.
 - Do not place the printer in a poorly ventilated area, or shut off the air vent of the printer.
 - Do not place the printer where chemical reactions occur, such as in laboratories or where air is mixed with salt or gas.
 - Do not use a power voltage or frequency other than those specified.
 - Do not plug/unplug the power cord or attach/detach the interface cable by simply grabbing the power cord or interface cable. Do not pull or carry the printer when the tension of the power cord or interface cable is increased.
 - Do not drop or put foreign matter such as clips and pins into the printer. This may cause problems.
 - Do not plug the power cord into an outlet with many loads.
 - Do not spill drinks such as tea, coffee and juice on the printer or spray insecticide on the printer. If drink or water is spilled, first be sure to turn the power off and remove the power cord from the outlet, then consult our service personnel.
 - Do not disassemble or modify the printer.

- Discard or safely store the plastic packing bag. This bag should be kept away from children. If the bag is pulled over child's head, it may cause suffocation.

General Precautions

1. Prior to operation, read the safety instructions carefully and observe them.
2. Be careful when moving or carrying the printer. Dropping the printer may cause injury or property damage.
3. Make sure if you open the top cover, it is opened all the way. If only partially open, the cover could slam shut, possibly causing injury.
4. When the cover is open, be careful of the corners of cover. They could cause injury.
5. Do not open the printer during printing.
6. When cleaning the surface of the printer case, do not use the cloth that is soaked in thinner, trichloroethylene, benzene, ketone or similar chemicals.
7. Do not use the printer where there is a lot of oil, iron particles, or dust.
8. Operate the control panel properly. A careless, rough handling may cause problems or malfunction. Do not use such sharp-edged tool as a ballpoint for operation.
9. Before attaching the auto-cutter drive board, be sure to unplug the power cord from the outlet.
10. Attaching the auto-cutter drive board must not be done immediately after use of printer.
11. Be careful not to damage the printer's drive pulley and belt.
12. Be careful of the edges of the plates so injury or property damage is possible.
13. If a problem occurs during printing, stop the printer immediately and unplug the power cord from the outlet.

Precautions When Installing the Printer

1. Prior to operation, read the safety instructions carefully and observe them.
2. Do not use or store the printer near fire, excessive moisture, in direct sunlight, near an air conditioner or heater or other source of unusually high or low temperature or humidity or excessive dust.
3. Do not place the printer where chemical reactions occur, such as in a laboratory.
4. Do not place the printer where air is mixed with salt or gas.
5. The printer must sit on a firm, level surface where there is ample ventilation. Never allow the printer's air vent to be blocked by a wall or other object.
6. Do not place anything on the top printer.
7. Do not place the printer near a radio or television, and do not use the same wall outlet for the printer and radio or television. Radio or television reception could be adversely affected.
8. Do not bundle the power cord when inserting the plug.
9. Grip the plug housing, not the cord, to unplug the power cord.
10. Make certain the interface cable is attached properly. If polarity direction is not correct, this may cause internal damage.
11. Make certain the power is turned off before attaching/detaching the interface cable.
12. Avoid lengthening the signal cable or attaching it to any noise-producing device. If it is unavoidable, use the shielded cable or twisted pair for each signal.

Chapters in This Manual

- | | | |
|-----------|------------------|--|
| Chapter 1 | Setup | Describes the packed items after opening the carton as well as the names and functions of parts. |
| Chapter 2 | Control panel | Describes the necessary items for operations, such as the control panel, printer settings and indications on the LCD/LEDs. |
| Chapter 3 | Paper and Ribbon | Describes the procedures for loading paper and ribbon and includes notes on the use of paper and ribbons. |
| Chapter 4 | Troubleshooting | Describes corrective actions when problems occur. |
| Chapter 5 | Options | Describes the optional accessories for this printer. |
| Chapter 6 | Specifications | Describes the basic specifications and commands for this printer. |

Table of Contents

FCC Compliance Statement for American Users.....	i
EMI Compliance Statement for Canadian Users.....	ii
Important Safety Instructions	iii
Notice	iv
Safety Signs	v
Warning	vi
General Precautions.....	vii
Precautions When Installing the Printer	viii
Chapters in This Manual.....	ix
Chapter 1 Setup	1-1
1.1 Confirmation of Carton Contents	1-2
1.2 Part Names and Functions.....	1-3
1.3 Connection to Power	1-7
1.4 Connection to a Computer	1-8
Chapter 2 Control Panel.....	2-1
2.1 Control Panel	2-2
2.2 LCD/LED Indications and Adjustment Controls	2-3
2.3 Normal Operating Mode	2-3
2.4 Printer Setup Mode	2-4
2.5 Self-Test Mode	2-4
2.6 System Maintenance Mode.....	2-5
Chapter 3 Paper and Ribbon.....	3-1
3.1 Kinds of Paper	3-2
3.2 Specification of Label and Tag.....	3-2
3.3 Ribbon	3-6
3.4 Paper Setting	3-7
3.5 Ribbon Setting	3-9
3.6 Print Head Offset Adjustments	3-10
3.7 Ribbon Tension Adjustments.....	3-13
3.8 Paper Detector Adjustments (for CLP-6001 only).....	3-14
3.8.1 Exterior view and part names.....	3-14
3.8.2 How to operate adjustable sensor.....	3-15

(continued)

Chapter 4	Troubleshooting	4-1
4.1	Error Messages.....	4-2
4.1.1	Error descriptions and indications	4-2
4.1.2	Error indications and corrective actions.....	4-4
4.2	Power Troubleshooting.....	4-7
4.3	Paper Feed Troubleshooting	4-8
4.4	Ribbon Feed Troubleshooting	4-9
4.5	Print Troubleshooting	4-10
4.6	Interface Troubleshooting.....	4-11
Chapter 5	Options.....	5-1
	Factory or Reseller (Dealer) Options:	
5.1	Auto-Cutter Unit	5-2
5.2	Peeler Unit	5-2
5.3	Adjustable Sensor (for CLP-6002 only)	5-2
	User Options:	
5.4	PCMCIA Memory Card.....	5-3
Chapter 6	Specifications	6-1
6.1	Main Specifications	6-2
6.2	Interface.....	6-6
6.2.1	System configuration.....	6-6
6.2.2	Specification of interface.....	6-7
6.2.3	RS-232C loopback test.....	6-8
6.2.4	RS-232C protocol	6-9
6.2.5	Interface pin assignment.....	6-11
6.3	Outline of Command System.....	6-13
6.4	Example of Connection to a Computer.....	6-14
6.5	Tear-Off Function	6-15
6.5.1	Turning Tear ON/OFF	6-15
6.5.2	Tear-off when printing	6-15
6.5.3	Tear-off when feeding	6-16
6.5.4	Tear-off and type of data	6-17
6.5.5	Cut position adjustments.....	6-17
6.5.6	When "fnnn" command is executed while tear-off is OFF.....	6-18
6.5.7	Priority order	6-19

Chapter 1

Setup

1.1	Confirmation of Carton Contents	1-2
1.2	Part Names and Functions	1-3
1.3	Connection to Power	1-7
1.4	Connection to a Computer.....	1-8

1.1 Confirmation of Carton Contents



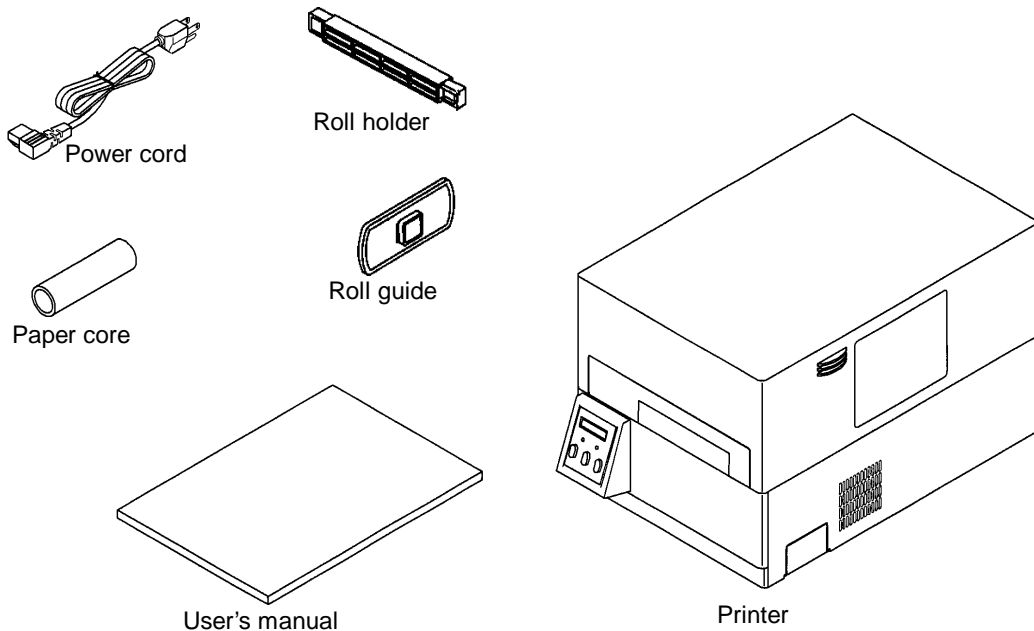
CAUTION

Be careful when moving or carrying the printer and when taking the printer out of the carton. The printer may cause injury or property damage if dropped. Be sure to grip the printer housing tightly when taking it out of the carton. Do not grip the styro-foam to the printer which may break, causing the printer to drop.

Check that all the following accessories are included with the printer in the carton.

- Power cord 1 pc
- Roll holder 1 pc
- Roll guide 1 pc
- Paper core 1 pc
- User's manual (this booklet) 1 copy

Note: The empty carton and packing materials should be stored for future shipping of the printer.



1.2 Part Names and Functions

FRONT VIEW

■ Control panel

The printer has two LED indicator lights and an LCD screen that displays printer messages.

1) LEDs

One LED is the power indicator and the other is the error indicator.

2) LCD

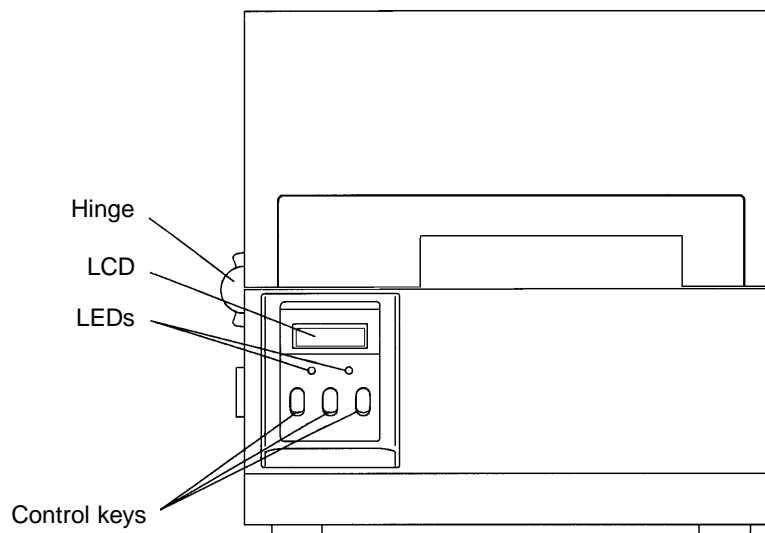
Displays the current printer status, configuration settings, or an error message.

3) Control keys

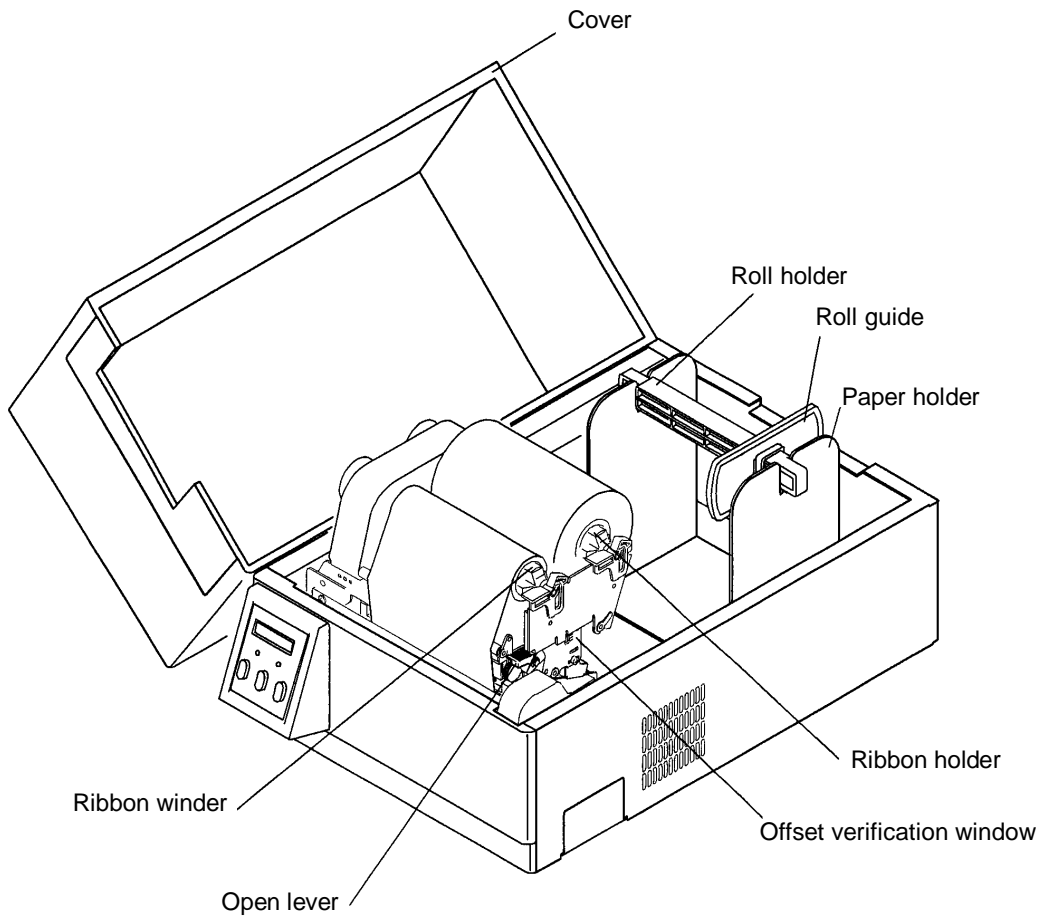
The Pause, Feed and Stop keys are arranged from left to right and are used to facilitate printer operating. (For details, see Chapter 2 Control Panel.)

4) Cover hinges

The cover hinges are used to hold the cover as far as you have opened it.



INSIDE VIEW



■ Names and functions of each part



- CAUTION**
- When opening the cover, open it all the way. If only part way open, the cover could slam shut, possibly causing injury.
 - Be careful of the edge of the cover when the cover is opened. It may cause injury or property damage.
 - Be careful of the edges of the plates so injury or property damage is possible.

- 1) Cover
Opens to allow loading of the paper and ribbon.
- 2) Ribbon holder
To attach the ribbon. (See Chapter 3 Paper and Ribbon.)
- 3) Ribbon winder
To wind the ribbon. (See Chapter 3 Paper and Ribbon.)
- 4) Roll holder
Holds the roll of paper.
- 5) Roll guide
Guides the roll paper to be set on the roll holder. The roll guide can be adjusted in accordance with the width of the paper.
- 6) Paper holder
Holds the roll holder which is inserted in the paper core.
- 7) Open lever
To swing the print head out of the way when loading the paper or cleaning the print head.
- 8) Offset verification window
Allows you to check the position of the print head which must be adjusted to the thickness of the paper used. (See Chapter 3 Paper and Ribbon.)

SIDE VIEW

- Interface connector

To connect the interface cable.

- PCMCIA memory card cover

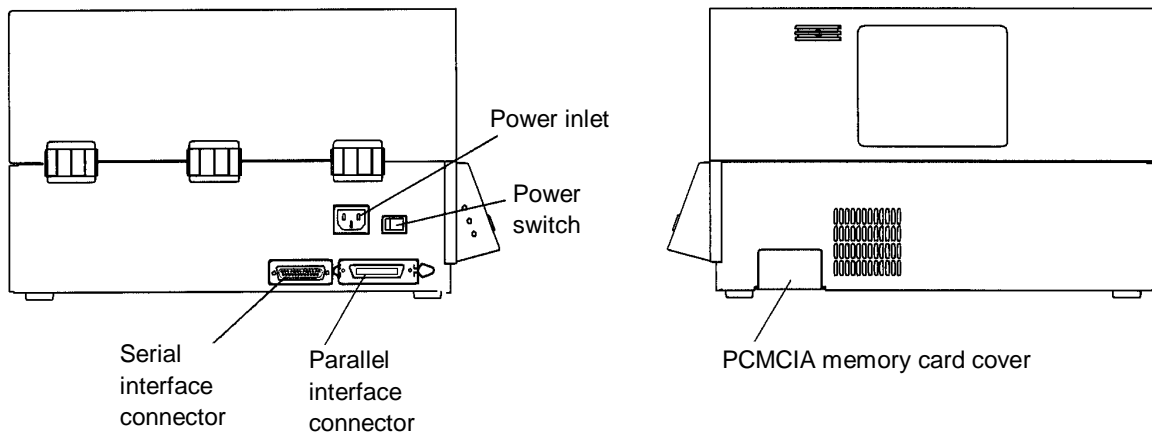
To protect the PCMCIA memory card from exposure to dust and foreign matter. To install a PCMCIA memory card, first unhook this cover, then slide it out.

- Power switch

To turn on/off the power.

- Power inlet

To connect the power cord.



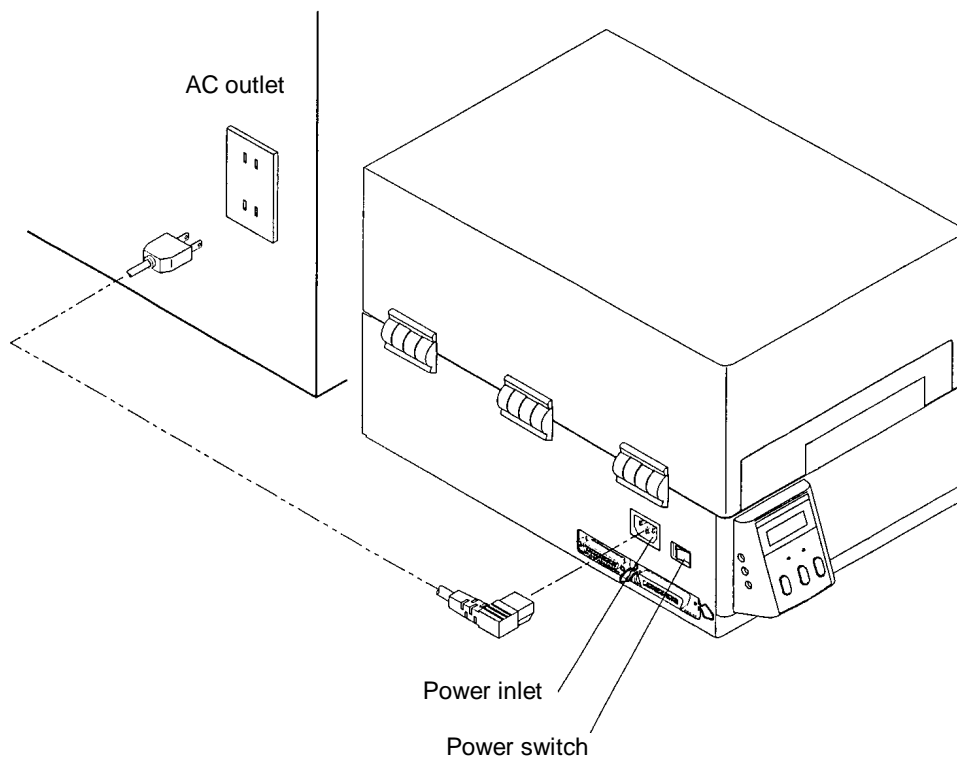
1.3 Connection to Power



CAUTION Use an AC outlet that accepts a three-pronged plug. Otherwise, static electricity may be generated and there will be danger of electric shock.

Connect to an AC outlet as follows:

- 1 Check that the power switch on the printer is set to OFF.
- 2 Connect the connector of the power cord to the power inlet on the printer.
- 3 Insert the plug of the power cord in the AC outlet.

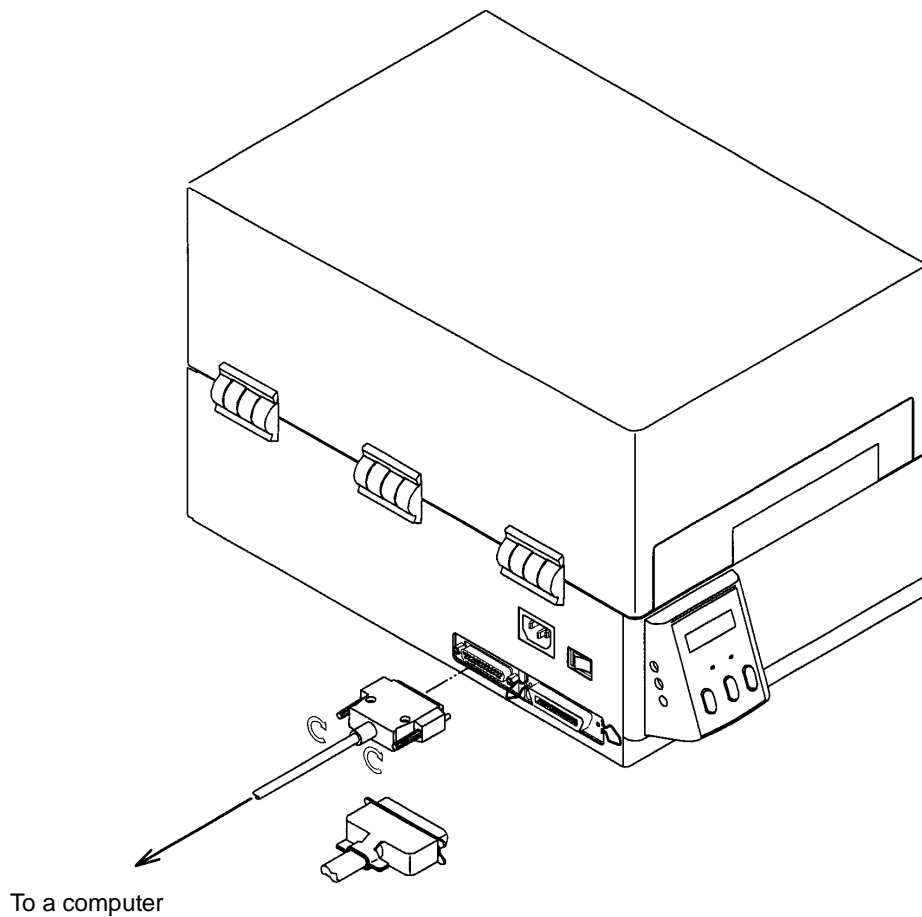


1.4 Connection to a Computer

An interface cable is necessary for connecting the printer to a computer.

To connect them, proceed as follows:

- 1 Turn off both power switches of the printer and the computer.
- 2 Connect the connector of one end of the interface cable to the interface connector at the lower side of the printer and secure it with screws.
- 3 Connect the connector of the other end of the interface cable to the interface connector on the computer and secure it with screws.



Chapter 2

Control Panel

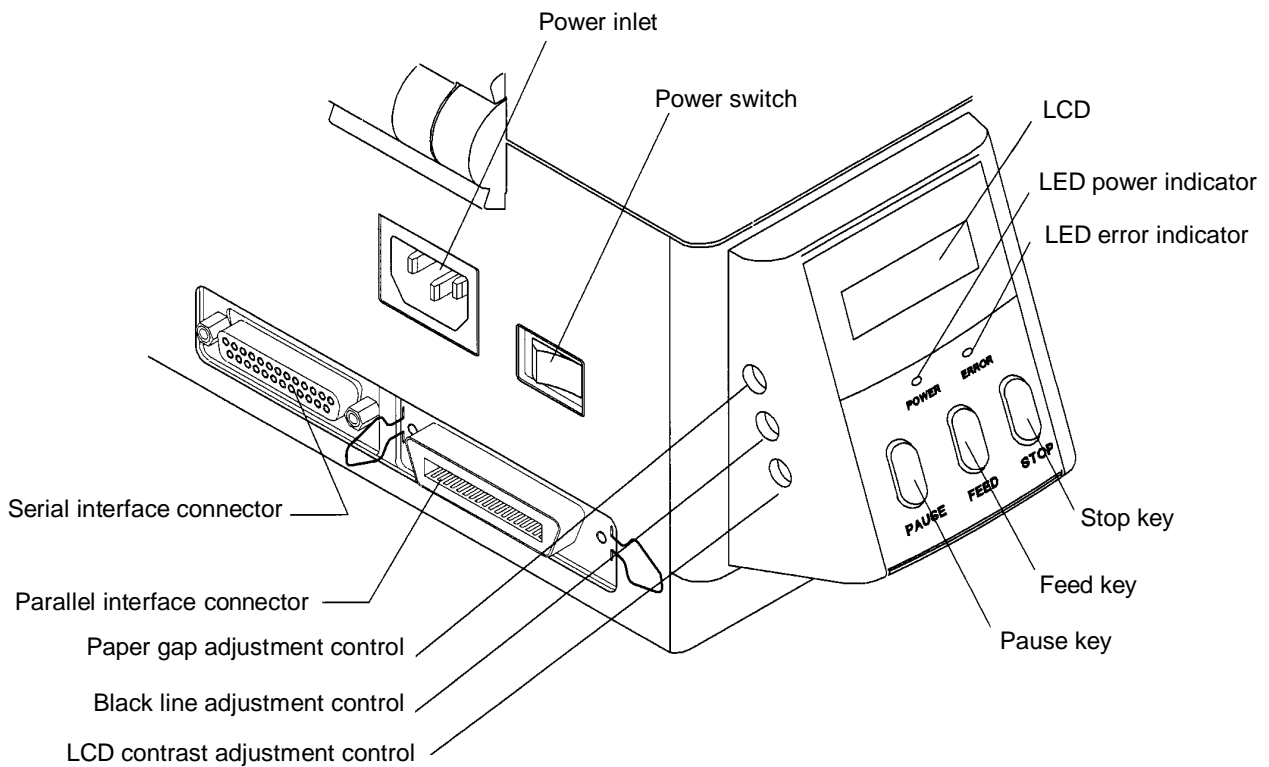
2.1	Control Panel	2-2
2.2	LCD/LED Indications and Adjustment Controls ...	2-3
2.3	Normal Operating Mode	2-3
2.4	Printer Setup Mode	2-4
2.5	Self-Test Mode	2-4
2.6	System Maintenance Mode.....	2-5

2.1 Control Panel

The control panel on the front of the printer consists of three control keys (Pause, Feed and Stop), two LED indicator lights (Power, Error) and a LCD message screen. On the left side of the control panel there are three adjustment controls (paper gap, black line and LCD contrast).

1 Exterior view

The exterior view of the control panel is shown below.



2.2 LCD/LED Indications and Adjustment Controls

1 LCD

The eight-character LCD screen displays the current printer status, configuration settings, or an error message.

2 LEDs

Power: The green LED power indicator goes on when the power is turned ON.

Error: The red LED error indicator goes on when an error occurs.

3 Adjustment controls

The three adjustment controls are used to adjust the paper gap (transparent type) sensor sensitivity, black line (reflective type) sensor sensitivity, and LCD contrast.

2.3 Normal Operating Mode

When the power is turned on, the printer enters normal operating mode.

The control keys function as follows:

■ Pause key

Temporarily pauses printing. "Pause" is displayed on the LCD screen. If pressed during printing, printing will stop after the current label is printed. Press the Pause key again to resume printing.

■ Feed key

Advance to the top of the next label. When using continuous paper, make sure the Sensor selection is set to ContinuP or a Paper error will result.

■ Stop key

With this key, the operator can stop and cancel the current print job. Pressing the Stop key during printing stops the printing immediately. Pressing the Stop key again cancels the print job.

2.4 Printer Setup Mode

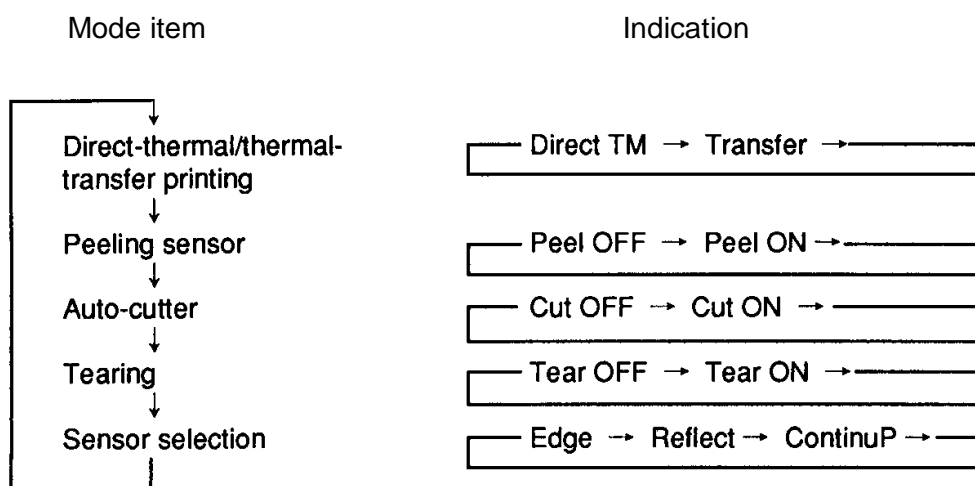
To enter the printer setup mode, press and hold down the Pause then press the Feed key and release both keys. The functions of the control keys are described below.

Changes to the printer configuration are stored in nonvolatile memory. This guarantees that the printer configuration is maintained even after the power is turned off.

[Functions]

Print mode selection, peeling sensor ON/OFF, auto-cutter ON/OFF, etc.

- Pause key: Selects the mode.
- Feed key: Selects the mode item.
- Stop key: Saves the selection contents and returns the printer to the normal operating mode.



2.5 Self-Test Mode

The printer enters the self-test mode when the Feed key is pressed and held down while turning the printer on.

[Functions]

The printer performs the test print or enters the data dump mode (prints out the communication data by ASCII code). The printer returns to the normal operating mode when the power is turned off.

2.6 System Maintenance Mode

The printer enters the system maintenance mode when the Pause, Feed and Stop keys are pressed and held down simultaneously while turning the printer on.

[Functions]

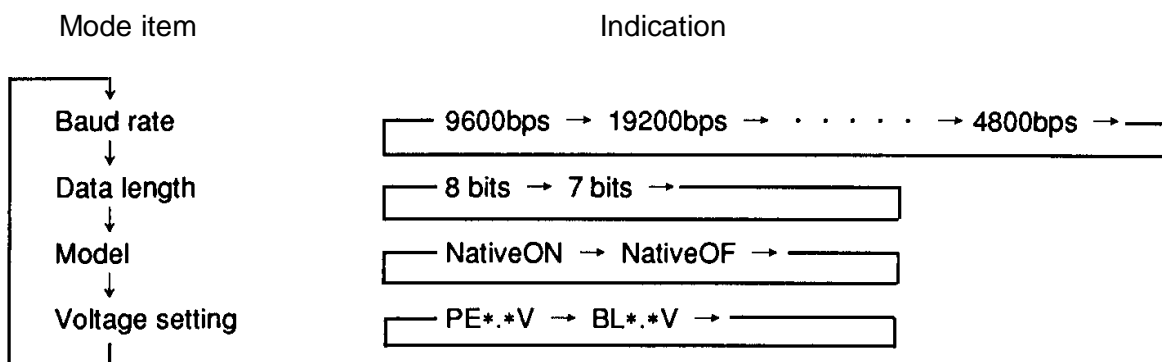
Holding down the Pause, Feed and Stop keys simultaneously for more than four seconds after turning on the power allows the memory switches to be set to default values (*).

The printer enters the communication parameter setting and paper gap and black line sensor sensitivity adjusting mode.

The mode is selected with the Pause key and the mode item is selected with the Feed key. Changing of the contents is executed as soon as they are displayed on the screen.

Pressing the Stop key returns the printer to the normal operating mode.

- Pause: Mode selection
- Feed key: Item selection



* Default values

RS-232C setting	Baud rate: 9600 bps
	Data length
Print mode setting	Transfer
Optional functions	Peeling: OFF
	Auto-cutter: OFF
	Tear-off: OFF
Paper sensor setting	Edge
Model	Native ON

■ Voltage setting mode

In the voltage setting mode, operate the paper gap and black line adjustment controls so that the voltages of both "PE" and "BL" displayed on the LCD screen read 3.0 V–3.3 V.

Setting procedure:

- 1 Sets only the liner (glassine paper) that has been peeled off the label paper.
- 2 Sets the paper gap level to 3.0 V–3.3 V (paper gap comes first).
- 3 Sets the black line level to 3.0 V–3.3 V (then black line).

Note: The order of steps 2 and 3 above may be reversed.

Chapter 3

Paper and Ribbon

3.1	Kinds of Paper	3-2
3.2	Specification of Label and Tag.....	3-2
3.3	Ribbon	3-6
3.4	Paper Setting	3-7
3.5	Ribbon Setting	3-9
3.6	Print Head Offset Adjustments	3-10
3.7	Ribbon Tension Adjustments.....	3-13
3.8	Paper Detector Adjustments	3-14
	3.8.1 Exterior view and part names.....	3-14
	3.8.2 How to operate adjustable sensor.....	3-15

3.1 Kinds of Paper

1 Kinds of paper

Direct-thermal or thermal-transfer printing paper is available. The paper must be high-quality. Otherwise, print quality and long life of print head will not be guaranteed.

2 Type of paper

- Label (continuous, die-cut, fanfold)
- Tag
- Ticket

The roll paper with inking surface either rolled inward or outward may be used.

3 Size of paper

Paper width:	25.4 mm–118 mm (1 in–4.65 in)
Paper thickness:	0.063 mm–0.254 mm (0.0025 in–0.01 in)
Max. printing width:	104 mm (4.1 in)
Max. printing length:	406 mm (16 in)
Max. outer diameter of roll paper:	203 mm (8 in)

4 Paper core inner diameter

38 mm–76 mm (1.5 in–3 in)

3.2 Specification of Label and Tag

The position of a label or tags is detected by the printer's transparent-type and reflective-type photosensors.

Transparent-type photosensor: Detects paper gap between label and tag notch.

Reflective-type photosensor: Detects black line.

■ Specification of paper

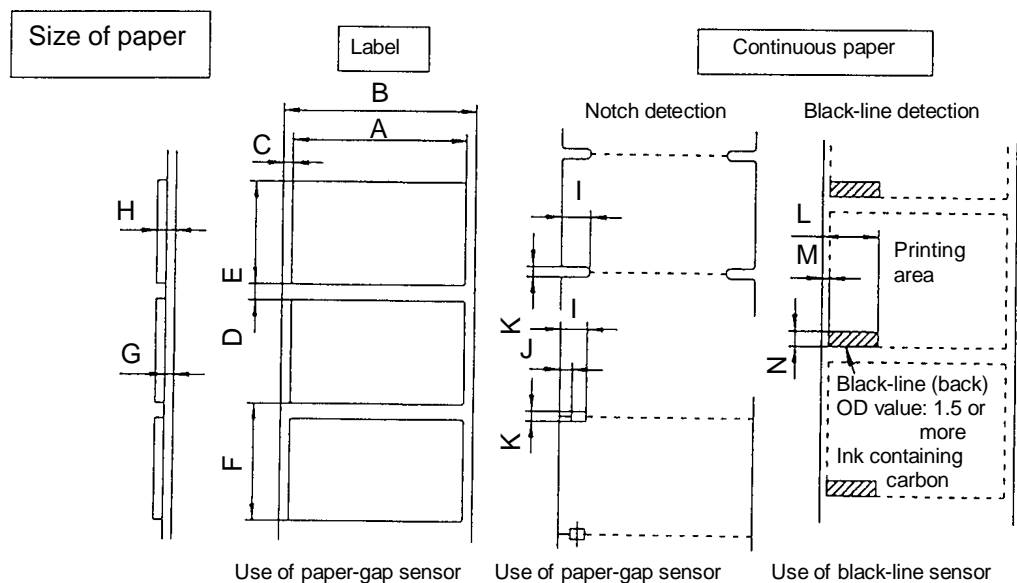
For each dimension of paper gap between labels, tag (label) notch and black line, see the figure. The black line must be aligned with the top edge of each label.

Unit: mm (inch)

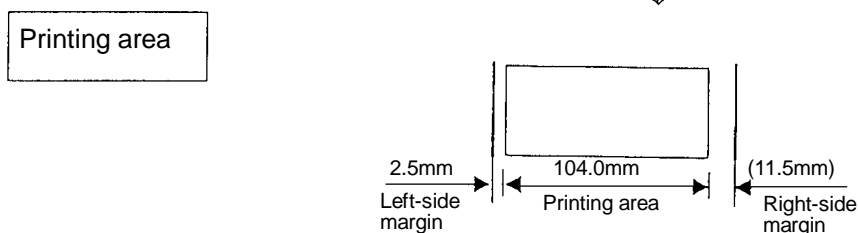
		CLP-6001		CLP-6002	
		Min. value	Max. value	Min. value	Max. value
A	Label width	25.40 (1.0)	118.00 (4.65)	25.40 (1.0)	118.00 (4.65)
B	Liner width	25.40 (1.0)	118.00 (4.65)	25.40 (1.0)	118.00 (4.65)
C	Label left-side edge position	0	2.54 (0.10)	0	2.54 (0.10)
D	Label paper-gap length	2.54 (0.10)	2539.00 (99.96)	2.54 (0.10)	2539.00 (99.96)
E	Label length	12.70 (0.50)	2539.00 (99.96)	12.70 (0.50)	2539.00 (99.96)
F	Label pitch	12.70 (0.50)	2539.00 (99.96)	12.70 (0.50)	2539.00 (99.96)
G	Liner thickness	0.06 (0.0025)	0.125 (0.0049)	0.06 (0.0025)	0.125 (0.0049)
H	Paper thickness	0.06 (0.0025)	0.25 (0.01)	0.06 (0.0025)	0.25 (0.01)
I	Notch right-side edge position	3.6 (0.14)	60.8 (2.39)	8.3 (0.32)	11 (0.43)
J	Notch left-side edge position	0	57.2 (2.25)	0	4.7 (0.19)
K	Notch length	2.54 (0.10)	17.80 (0.70)	2.54 (0.10)	17.80 (0.70)
L	Black line right-side edge position	15.00 (0.59)	—	15.00 (0.59)	—
M	Black line left-side edge position	0	51.5 (2.02)	0	1.5 (0.06)
N	Black line width	3.18 (0.125)	17.80 (0.70)	3.18 (0.125)	17.80 (0.70)

Note:

- If paper has both label paper-gap and black-line, choose the paper-gap sensor.
- Fanfold uses the paper-gap sensor.



Direction of paper feed



Paper specification

Units for position and length

The print positions may be specified in either inch or metric system. Switching between the two systems is accomplished through software. The print positions can be freely designated within the maximum label size, regardless of which system you use.

■ Inch system

Basic unit (point): 0.01 in (0.254 mm)

The position of each row address (in the direction of main scanning) and column address (in the direction of subscanning) is designated in 0.01-inch units. In the case of the 203 dpi head, if the print position changes by 1 point, it will change by 2 dots.

$$\begin{array}{rclclcl} 1 \text{ point} & = & 0.01 \text{ in} & \dot{=} & 2 \text{ dots} \\ 100 \text{ point} & = & 1.00 \text{ in} & \dot{=} & \underline{203} \text{ dots} \end{array}$$

■ Metric system

Basic unit (point): 0.1 mm

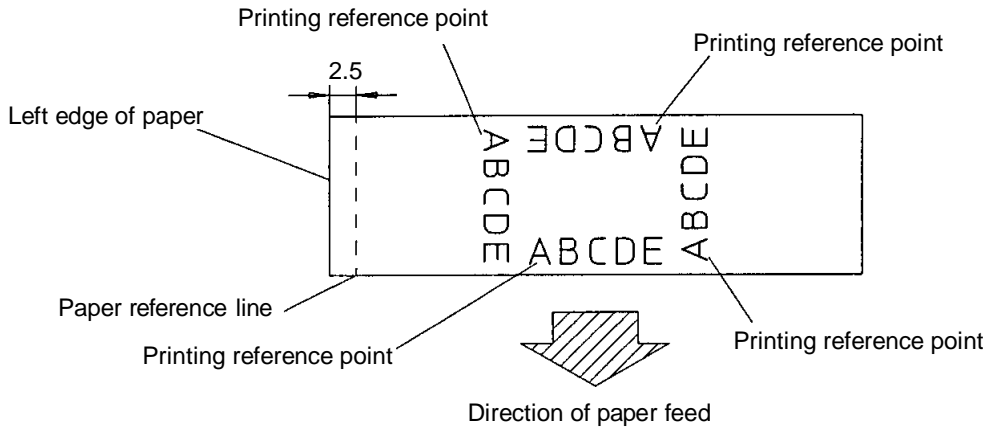
The position of each row address and column address is designated in 0.1-mm units. Since there is a slight difference between the main and subscanning density and the point value, the nearest dot number to the designated address is selected in one dot (0.125 mm) units.

$$\begin{array}{rclclcl} 1 \text{ point} & = & 0.1 \text{ mm} & \dot{=} & 1 \text{ dot} \\ 100 \text{ point} & = & 10.0 \text{ mm} & \dot{=} & \underline{80} \text{ dots} \end{array}$$

The basic unit is common to all label format and system-level commands. The label format commands are used to specify the position, length, whole-screen offset, etc. The system-level commands are used to specify the maximum paper length, home-position offset, etc.

Reference line and points

The reference line and points are described here. The position of 2.5 mm from the left edge of the paper is the reference line for paper. Always the left bottom is the reference point for printing characters and bar codes. The concept of this reference line and points are common to such commands as ruled line and graphic.



3.3 Ribbon

- Size of ribbon

Width of ribbon: 25.4 mm–114.3 mm (1 in–4.5 in)

The width of the ribbon for thermal-transfer printing is recommended to be the $\pm 10\%$ of the width of the paper.

The inner diameter of the ribbon core must not exceed 25.4 mm (1 in).

The ribbon with inking surface either rolled inward or outward may be used.

The maximum outer diameter of the roll ribbon is 74 mm (2.91 in).

A single roll of the ribbon (360 m) enables the printing of about two rolls of the paper with outer diameter of 203 mm (8 in).

3.4 Paper Setting

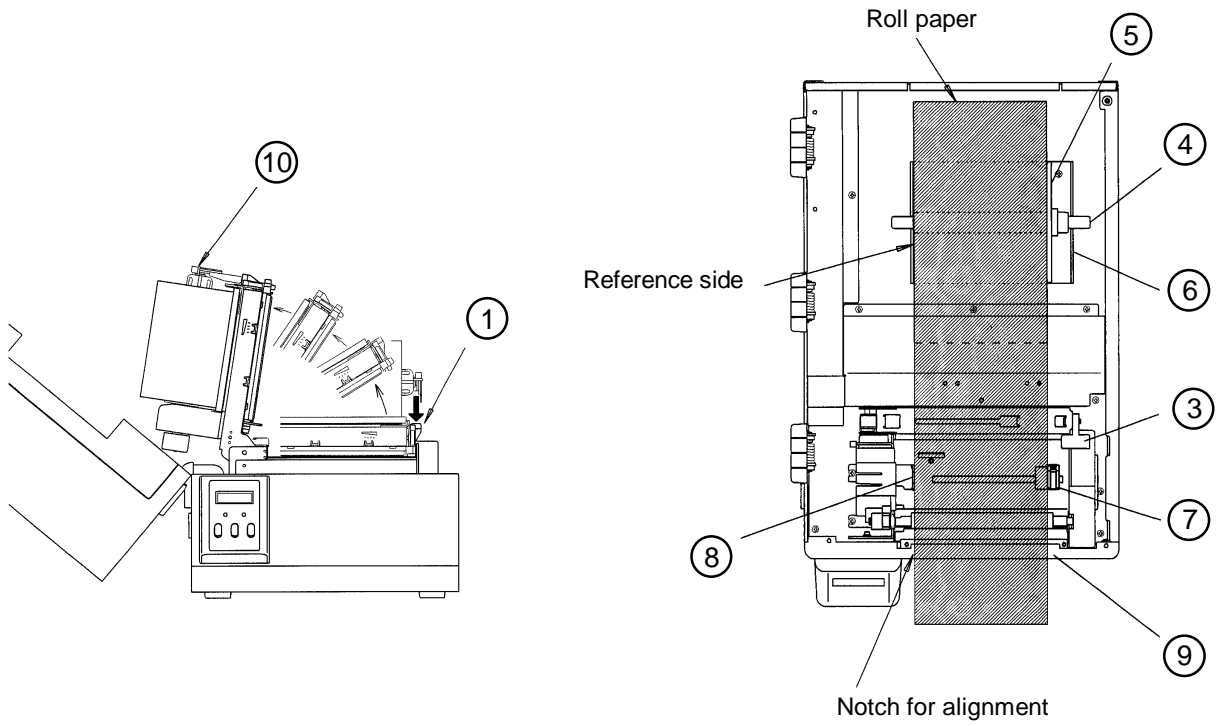
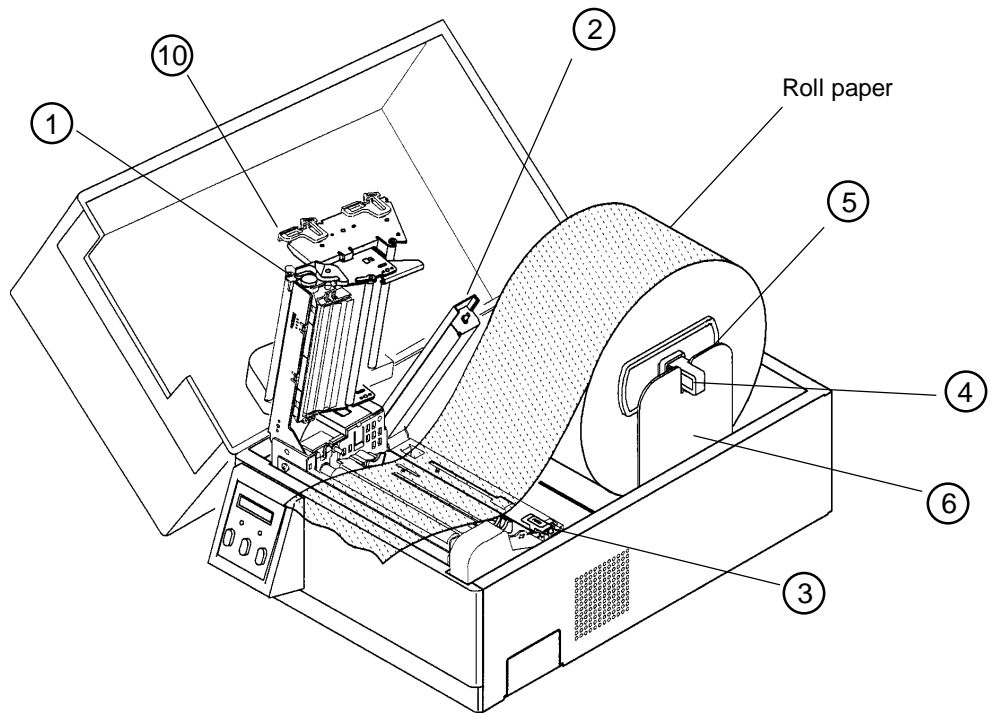


CAUTION Be careful of the edges of the plates so injury or property damage is possible.

The printer is designed for easy loading of paper and ribbon. After opening the cover, set the register paper as follows:

- 1 Push down the open lever ① to move the print head out of the way.
- 2 Push down the lever ③ to move the sensor arm ② out of the way.
- 3 Attach the roll paper and roll guide ⑤ to the roll holder and position it in the paper holder ⑥. After installing the roll paper, adjust the roll guide ⑤ to the width of the roll paper. The roll paper should be in its deepest position (reference side).
- 4 Pull the moving paper guide ⑦ toward you to maintain the paper insertion path.
- 5 Set the roll paper as shown in the figure.
- 6 Attach the left side of roll paper to the fixed paper guide ⑧ and let the moving paper guide ⑦ slightly contact the other end of the roll so that the paper does not skew.
- 7 Push down the sensor arm ② until the lever hook is locked.
- 8 Align the paper with the positioning notch of the peeling-off plate ⑨ and then press down the ribbon bearing flat ⑩ to close the print head. The open lever hook will lock.
- 9 Close the cover.
- 10 Turn on the power to the printer. The LCD screen on the control panel will display "On line." Press the Feed key. The paper will advance to the next label and stop there.

(For encircled numbers, see figures on the next page.)



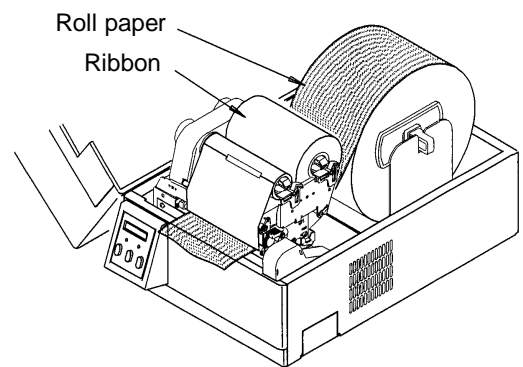
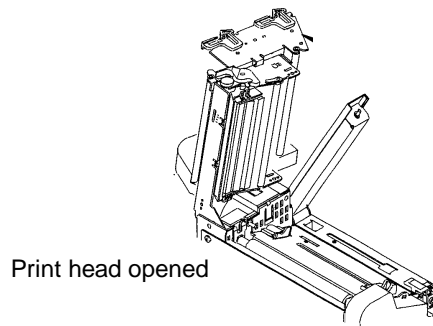
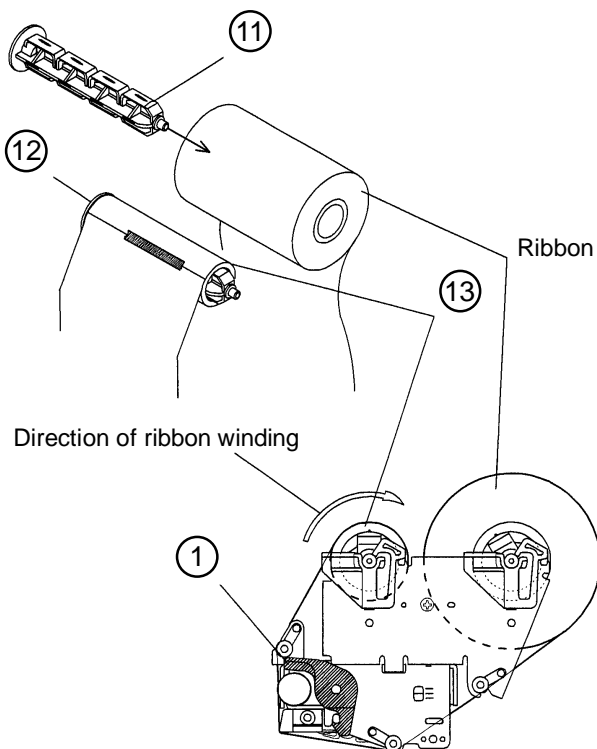
3.5 Ribbon Setting



CAUTION Be careful of the edges of the plates so injury or property damage is possible.

After opening the cover, set the ribbon as follows:

- 1 Push down the open lever (1) to move the print head out of the way.
- 2 Insert the ribbon shaft (11) in the roll ribbon so that it is in its deepest position. Then set it in the ribbon holder as shown in the figure.
- 3 Insert the ribbon shaft (12) in the paper core (13) so that it is in its deepest position. Then set it in the ribbon winder as shown in the figure.
- 4 Adhere the top end of the ribbon to the paper core with adhesive tape. Turn the ribbon winder in the direction ribbon winding to remove slackness and wrinkles from the ribbon.
- 5 Press down the ribbon bearing flat (10) to close the print head. The open lever hook will lock.
- 6 Close the cover.
- 7 Turn on the power to the printer. The LCD screen on the control panel will display "On line." Press the Feed key. The paper will advance to the next label and stop there.



Completion of setting paper and ribbon

3.6 Print Head Offset Adjustments



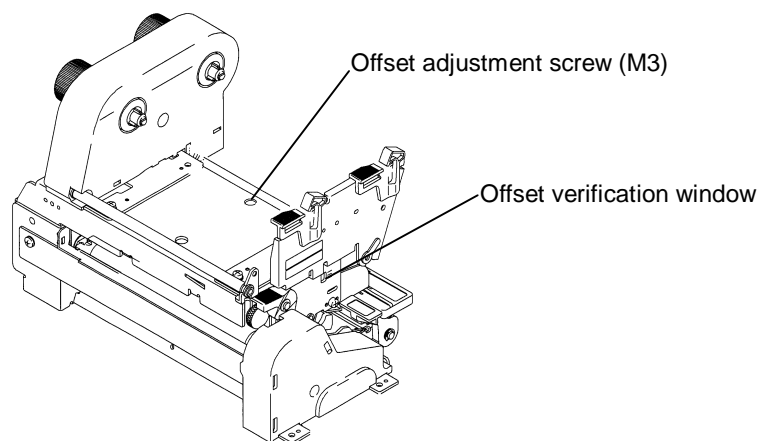
CAUTION Ensure the print head offset adjustments are made properly according to the type of print media (thickness & width). Incorrect adjustments can cause failure of the print head.

The printer has already been factory set with labels 118 mm in width. However, the print head offset adjustments may be needed depending on the width of the paper and the paper quality. If the print quality is inferior because of the paper, adjust it according to the following:

- 1 When print is unclear or blurred because of poor paper quality:

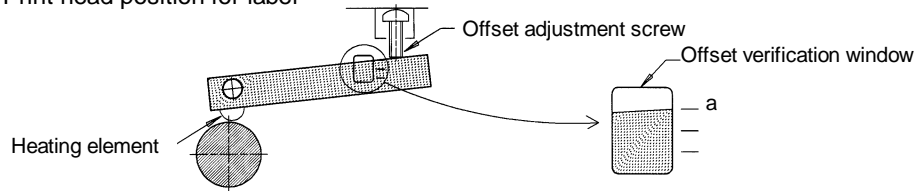
Adjust the offset between the print head and the platen by turning the offset adjustment screw. The print head offset adjustments are made by changing the inclination of the print head to the platen. This has already been factory set, but the offset may need changing if the print head was replaced or disassembled. Also, it may need changing if a different type of paper was used. In those cases, make adjustments according to the criteria below.

- a) Standard paper, label paper (slick paper, craft paper, etc.), and thermal paper
- b) Thick paper (tag or other similar paper)

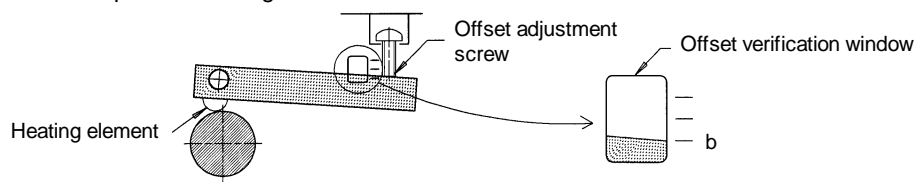


The relationship between the offset adjustment screw and the print head heating element is shown below:

a) Print head position for label



b) Print head position for tag



2 When print darkness on the left and right sides of the label is not equal:

Adjustments may be needed if paper with different width is used. Print darkness is affected by the amount of pressure on the print head so it must be adjusted with the head pressure adjustment screw if necessary.

The pressure on the right side of the print head, viewed from the front panel, is adjusted by turning the head pressure adjustment screw.

Turning the screw clockwise decreases the pressure, and turning the screw counterclockwise increases the pressure.

The condition of the right side of the print head can be checked through the upper frame window, which is located at the front of the printer mechanism unit.

■ Adjustments

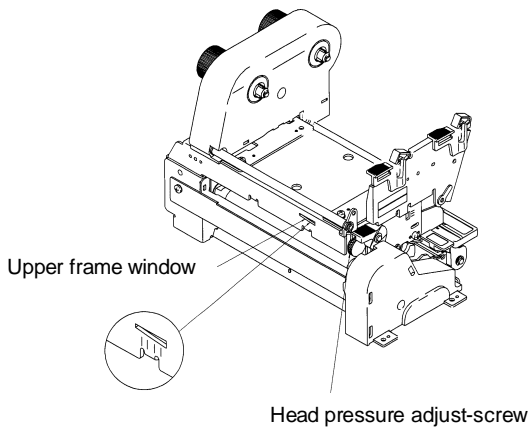
Normally, the pressure on the left and right sides of the print head has already been adjusted to equal loads at the factory. The check marks are located under the upper frame window.

Adjustments are needed in the following cases:

- 1) When print on the left side is too light:
Turn the head pressure adjustment screw clockwise.
- 2) When print on the right side is too light:
Turn the head pressure adjustment screw counterclockwise.
- 3) When paper of smaller width is used:

In this case, the contact between the print head and the platen becomes large, so the stepping motor will have a heavy load or the print head may scrape the platen. To avoid this, turn the head pressure adjustment screw clockwise to decrease the pressure on the right side of the print head.

In addition, adjustments will be useful for avoiding wrinkling of the ribbon or skewing of the paper. For more information, contact our service personnel.



Verification window	Paper width	Right head pressure
	1 inch	0 kgf
	2 inches	0.5 kgf
	3 inches	1 kgf
	4 inches	2.4 kgf
	Used for adjustments when ribbon wrinkles or skews with paper width of 4 inches	
	Factory setting	

Note: These values are just for reference.

3.7 Ribbon Tension Adjustments

When the ribbon slips or wrinkles during printing, adjust the ribbon tension. The printer has already been factory set with the ribbon width of 114 mm. When using ribbon with a different width, adjust it according to the following procedure:

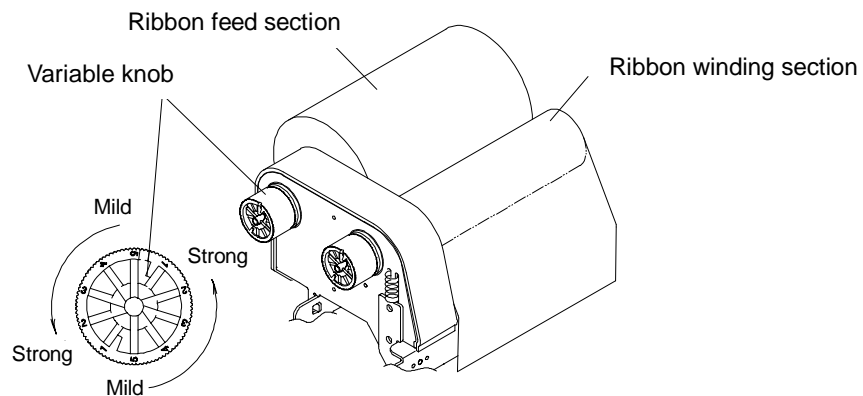
- Hold the ribbon roll with one hand so that it does not turn.
- Slightly push the knob toward the ribbon roll with the other hand and rotate the knob until the stopper comes to the desired position.
- Gradually release the knob so that the stopper fits in the groove on the knob.

Set values to each ribbon width:

Ribbon width	Ribbon winding section	Ribbon feed section	Tension
Adjustment when ribbon slips	5	5	Mild
25.4 mm (1 in)	4	4	↕
50.8 mm (2 in)	3	3	
76.2 mm (3 in)	2	2	
101.6 mm (4 in): factory setting	1	1	

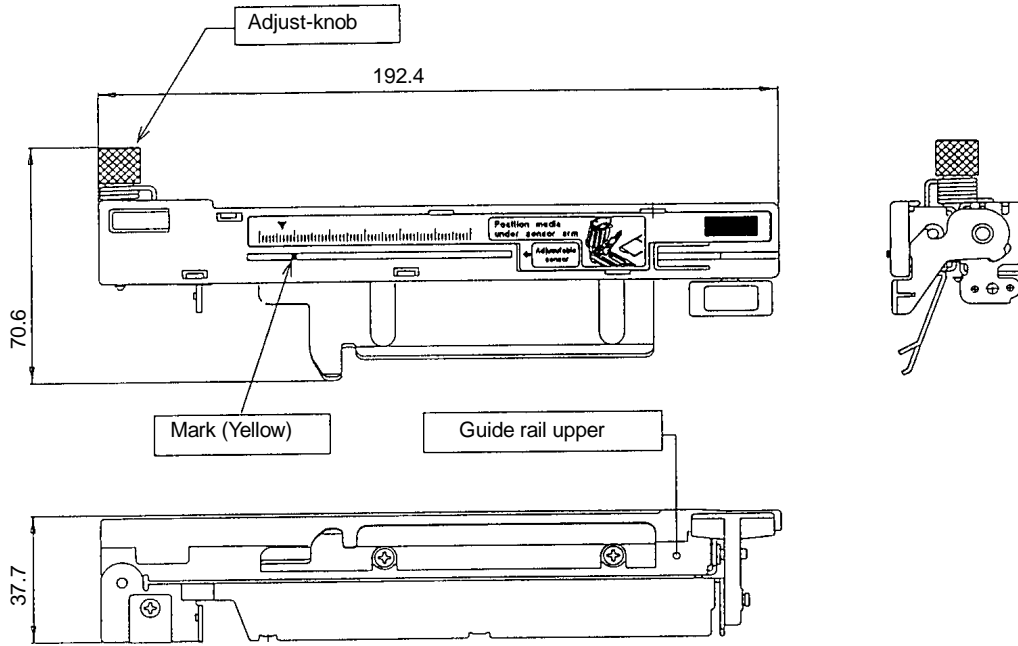
- After printing, check for ribbon wrinkle or slipping. If it occurs, adjust it further according to the following procedure:
 - When the ribbon wrinkles, the tension on the ribbon winding section should be increased.
 - When the ribbon slips, the tension on the ribbon feed section should be decreased. If the problem is not resolved even when the tension on the ribbon feed section is set to 3, the tension on the ribbon winding section should be increased.

If ribbon problems are not resolved, consult our service personnel.



3.8 Paper Detector Adjustments (for CLP-6001 only)

3.8.1 Exterior view and part names



Exterior view and part names

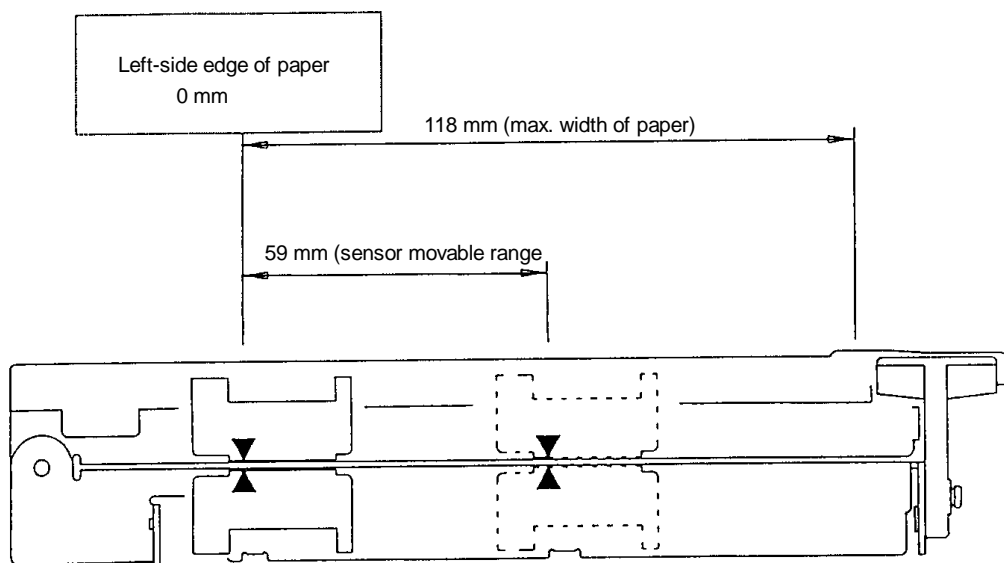
3.8.2 How to operate adjustable sensor

- (1) Move the adjustable sensor unit to your required position to detect by turning the adjust-knob. First measure the position to detect, then align the mark of the measure on the guide rail upper with the sensor position mark (yellow) on the upper sensor to set to the position to detect.

The sensor movable range is shown below.

- (2) Load the liner and close the guide rail upper and set voltage to 3V.

Note: For voltage setting, see the User's Manual of the printer.



Sensor movable range

Chapter 4

Troubleshooting

4.1	Error Messages.....	4-2
4.1.1	Error descriptions and indications	4-2
4.1.2	Error indications and corrective actions ...	4-4
4.2	Power Troubleshooting	4-7
4.3	Paper Feed Troubleshooting	4-8
4.4	Ribbon Feed Troubleshooting	4-9
4.5	Print Troubleshooting	4-10
4.6	Interface Troubleshooting.....	4-11

4.1 Error Messages

When there is a problem with the printer, a buzzer sounds, and the error lamp on the control panel lights and an error message is displayed on the LCD screen.

Error descriptions and corrective actions are shown below.

4.1.1 Error descriptions and indications

Description	Indication	LED	Buzzer
Battery dead (for clock and backup RAM)	Battery	Lights	Sounds long
Low head temperature	ColdHead	Lights	Sounds long
Low PCB temperature	Cold PCB	Lights	Sounds long
Abnormal head resistance value Error contents and head information repeatedly displayed Rank: Rank of head resistance value Average: Average of resistance values (A/D reading value decimal system) Maximum: Max. value of resistance Minimum: Min. value of resistance	Head Err Rank *** Ave.*** Max.*** Min.***	Lights	Sounds long
Communication error (receive buffer overrun)	OverFlow	Lights	Sounds long
Communication error (parity, framing)	S/I Err	Lights	Sounds long
Communication error (transmit buffer overflow)	HostBusy T.D.Full	Blinks	Sounds short 3 times
Pause key pressed	Pause	--	--
Pause command reception (remote control)	Pause	--	--
Head overheat	OverHeat Cooling	Blinks	Sounds short 3 times
Stop key pressed	Stop	--	Sounds short 3 times
Stop command reception (remote control)	Cancel	--	--
Mechanism head open	HeadOpen	Lights	Sounds short 3 times
Paper end (no paper left)	PaperEnd	Lights	Sounds short 3 times

Description	Indication	LED	Buzzer
Paper out (paper position can't be detected) Error contents and sensor information repeatedly displayed M command: Sets length for detection miss checking with system command M Maximum: Max. value of sensor reading voltage Minimum: Min. value of sensor reading voltage	PaperErr M CMND Max*. **V Min*. **V	Lights	Sounds short 3 times
Ribbon end	RibonOut	Lights	Sounds short 3 times
PCB overheat (PCB or sensor abnormality)	OverHeat	Lights	Sounds short 3 times
Fan stop	Fan stop	Blinks	Sounds short 3 times
Option board abnormality	OP Err	Lights	Sounds short 3 times
Auto-cutter abnormality (such as poor engagement)	Cut Err	Lights	Sounds short 3 times
ROM checksum error	ROM Err	Lights	Sounds long
RAM checksum error	RAM Err	Lights	Sounds long

4.1.2 Error indications and corrective actions

Indication	Description	Corrective actions
Battery	Battery dead	<p>Automatically returned after displaying the error for a certain time.</p> <p>Change the lithium battery (CR2032). Note: Contact our service personnel to replace the battery.</p> <p>If the battery runs down, the realtime clock will stop and the contents of the memory switch will be lost.</p>
ColdHead	Low head temperature	<p>Automatically returned after displaying the error for a certain time.</p> <p>Raise the temperature around the printer.</p> <p>Print density becomes low and print quality becomes inferior when the head temperature is low.</p>
Cold PCB	Low PCB temperature	<p>Automatically returned after displaying the error for a certain time.</p> <p>Raise the temperature around the printer.</p> <p>Print density becomes low and print quality becomes inferior when the head temperature is low.</p>
Head Err	Abnormal head resistance value	<p>Check the contents and clear with the Stop key.</p> <p>Replace the print head.</p> <p>Print quality is affected at the section where the head resistance value is abnormal.</p>
OverFlow	Communication error (receive buffer overrun)	<p>Check the contents and clear with the Stop key.</p> <p>Correct the communication control system or communication cable failure.</p>
S/I Err	Communication error (parity, framing)	<p>Check the contents and clear with the Stop key.</p> <p>Correct the communication parameter or communication cable failure.</p>
HostBusy T.D.Full	Communication error (transmit buffer overflow)	Automatically returned if the computer receives data and the buffer becomes empty.
Pause	Pause key pressed	<p>Press the Pause key once again to resume printing.</p> <p>If the Stop key is pressed, the stored printing contents will be lost and "on line" will turn on.</p>
Pause	Pause command reception (communication control)	Same as above.

Indication	Description	Corrective actions
OverHeat Cooling	Head overheat	Wait until the head temperature goes down. When the temperature becomes low, the remaining printing resumes.
Stop	Stop key pressed	Enters a pause after displaying the stop by the Stop key. If the Pause key is pressed, the printing will resume. If the Stop key is pressed again, the stored printing contents will be lost and "on line" will turn on.
Cancel	Stop command reception (communication control)	Displays the stop by the stop command, discards the stored printing contents, and enters a pause. If the Pause key is pressed, "on line" will turn on.
HeadOpen	Mechanism head open	Close the mechanism head.
PaperEnd	Paper end (no paper left)	Install the paper.
PaperErr	Paper out (paper position can't be detected)	Check the contents and clear with the Stop key. Correct the faulty setting of the paper detection (paper gap, black line, continuous paper). Correct the faulty parameter for paper (max. length, continuous paper). Adjust the sensor or change for the paper that accepts the paper position detection. Specify the length for detection miss checking with the M command. When the paper position can't be detected during paper feeding by the specified length, it is judged error. Generally specify the length about three times the label length. In case of the continuous paper, specify the label length with the C command. Difference between the maximum and minimum values of the sensor reading voltage must be 0.8 V or more. Sensor adjustments and paper characteristic verification (voltage verification) can be performed with the Maintenance mode.

Indication	Description	Corrective actions
RibonOut	Ribbon end	<p>Check the contents and clear with the Stop key.</p> <p>Install the ribbon.</p> <p>Check that the ribbon winds fully.</p> <p>Correct the faulty setting of the print mode (direct-thermal or thermal-transfer).</p>
OverHeat	PCB overheat	<p>Turn off the power and reset the printer.</p> <p>If this recurs, contact our service personnel.</p>
Fan stop	Fan stop	<p>Check for the fan stop caused by the problems such as foreign matter entered in the air vent.</p> <p>Automatically returned if the fan turns again.</p> <p>If disassembling is needed to remove foreign matter or the problem can't be identified, contact our service personnel.</p>
OP Err	Option board abnormality	<p>Turn off the power and reset the printer.</p> <p>If this recurs, contact our service personnel.</p>
Cut Err	Auto-cutter abnormality (such as poor engagement)	<p>Check the contents and clear with the Stop key.</p> <p>If this can't be cleared, turn off the power and remove foreign matter from the auto-cutter.</p> <p>If this recurs, contact our service personnel.</p>
ROM Err	ROM checksum error	<p>Turn off the power and reset the printer.</p> <p>If this recurs, contact our service personnel.</p>
RAM Err	RAM checksum error	<p>Turn off the power and reset the printer.</p> <p>If this recurs, contact our service personnel.</p>
--	System error (such as timer or CPU malfunction)	<p>First protect the system, then reset the printer.</p>

4.2 Power Troubleshooting

Problem	Cause and remedy
No power even with power switch turned ON.	<ul style="list-style-type: none"><li data-bbox="507 434 1362 517">• Power cord is not properly connected to the outlet. → Turn off the power switch and properly reconnect the power cord to the outlet.<li data-bbox="507 539 1362 622">• Power cord is not properly connected to the power inlet. → Turn off the power switch and properly reconnect the power cord to the power inlet.<li data-bbox="507 645 1362 757">• Input voltage is not correct; input voltage is greater or less than the rated voltage. → Set input voltage within the rated voltage (puncture voltage may occur. Contact our service personnel).<li data-bbox="507 779 1362 936">• Correct RS-232C cable is not used. → Turn off the power switch and unplug the interface cable. Check that power turns on by turning the power switch to ON and then use the correct RS-232C cable.

4.3 Paper Feed Troubleshooting

Problem	Cause and remedy
Paper doesn't feed.	<ul style="list-style-type: none"> • Wrong paper path. → Use correct path. • Mechanism head is open. → Close the mechanism head.
Paper skews.	<ul style="list-style-type: none"> • Paper end is not in contact with the paper guide. → Slightly push the paper guide against the paper end. • Roll guide is not in contact with the roll paper. → Slightly push the roll guide against the roll paper. • Head pressure is not correct. → Adjust it with the offset adjustment screw according to the paper width.
Paper doesn't align with the print position.	<ul style="list-style-type: none"> • Setting mode is not correct. → Check whether the setting mode is for paper gap or black line sensor and if it is not, change it as necessary. • Paper gap (black line) sensor adjustment failure. → Adjust the voltage of the paper gap and black line sensor from the voltage setting in the system maintenance mode. • Transfer data is abnormal. → If the contents of the transfer data are incorrect, set them properly again.

4.4 Ribbon Feed Troubleshooting

Problem	Cause and remedy
Ribbon doesn't wind.	<ul style="list-style-type: none"> <li data-bbox="507 434 1331 488">• Print mode is set to direct-thermal printing. → Change to the thermal-transfer printing. <li data-bbox="507 510 1161 542">• Wrong ribbon path. → Use correct path. <li data-bbox="507 564 1129 618">• Ribbon wind direction is reversed. → Set it properly. <li data-bbox="507 640 1129 694">• Ribbon wind tension is not correct. → Set it properly.
Ribbon wrinkles.	<ul style="list-style-type: none"> <li data-bbox="507 728 1129 804">• Tension of ribbon holder and ribbon winder is not correct. → Set it properly. <li data-bbox="507 826 1353 902">• Print density (heating factor) is not correct. → Correct the parameter of the Hnn command with the printing contents definition mode. <li data-bbox="507 925 1353 1001">• Angle of ribbon guide bar is not correct. → Contact our service personnel to adjust the ribbon guide bar. <p data-bbox="507 1046 1321 1122">Note: If narrow paper is used, the ribbon may wrinkle. Decrease the right head pressure by turning the offset adjustment screw to prevent ribbon from wrinkling.</p>

4.5 Print Troubleshooting

Problem	Cause and remedy
Printing doesn't start.	<ul style="list-style-type: none"> • Power to the printer is off. → Turn the power switch to ON. If power still doesn't turn on, follow steps in Section 4.2 Power Troubleshooting. • Printer is not properly connected to computer. → Turn the power switch to OFF and connect it properly. • Printer setting is not correct. → Correct the printer setting.
Missing lines.	<ul style="list-style-type: none"> • Print head connector connection failure. → If the print head connector is not properly connected, insert it correctly.
Dropouts.	<ul style="list-style-type: none"> • Print head is dirty. → Check the print head heat-generation body for dirt. If it's dirty, wipe the surface of the print head heat-generation body with a soft cloth soaked in ethylalcohol etc. • Platen roller is dirty. → Remove dirt or label or tape scraps stuck to the platen roller. <p>Note: If those can't be removed, contact our service personnel for maintenance.</p>
Print is too light or dark.	<ul style="list-style-type: none"> • Ink ribbon and paper are not the recommended type. → Change to the recommended type after checking the ink ribbon and paper maker and identification number. • Paper quality doesn't match the print head offset. → Adjust the offset. See Section 3.6 Print head offset adjustments. • Paper width doesn't match the print head offset. → Adjust the offset. See Section 3.6 Print head offset adjustments. • Printer setting mode is not correct. → Check whether the setting mode is for direct-thermal or thermal-transfer printing and if it is not, change it as necessary. • Setting of printing energy level is not correct. → Check the setting value of printing energy level and adjust it as necessary.
Other printing abnormalities	<ul style="list-style-type: none"> • Check the error message on the control panel and correct it according to the descriptions on Section 2) Errors and corrective actions, 4.1 Error Messages.

4.6 Interface Troubleshooting

Problem	Cause and remedy
Printer doesn't print. Print disordered. Error message is displayed and printer doesn't print.	The following are the probable causes: <ul style="list-style-type: none"><li data-bbox="507 510 1321 568">• Interface cable is not properly connected. → Check that the interface cable is connected properly.<li data-bbox="507 591 1086 649">• Interface cable is not the standard type. → Replace it.<li data-bbox="507 672 1358 779">• Communication parameter setting is not correct. → Set the system maintenance mode from the control panel and check/correct the communication parameter value.

Chapter 5

Options

Factory or reseller (dealer) options:

- 5.1 Auto-Cutter Unit 5-2
- 5.2 Peeler Unit 5-2
- 5.3 Adjustable Sensor (for CLP-6002 only) 5-2

User options:

- 5.4 PCMCIA Memory Card..... 5-3

5.1 Auto-Cutter Unit

The auto-cutter unit that has been installed on the printer will be available. See the operation manual of the auto-cutter for details.

■ Specifications

- Cutting method: Circular cutter
- Max. thickness of cut paper: 0.01 in (0.254 mm)
- Min. length of cut paper: 1 in (25.4 mm)

5.2 Peeler Unit

The peeler unit that has been installed on the printer will be available. See the operation manual of the peeler unit for details.

■ Specifications

- Width of paper: 1–4.65 in (25.4–118 mm)
- Max. diameter for roll paper: 8 in (203 mm)
- Inner diameter for roll paper: 3 in (76 mm) or more
- Min. length of label: 1 in (25.4 mm)
- Thickness of paper: 0.0067 in (0.17 mm), max.
- Thickness of mount: 0.0027 in (0.07 mm), max.
- Unusable paper: Special paper (Whitepet, etc.) or too flexible paper causing jams

5.3 Adjustable Sensor (for CLP-6002 only)

The adjustable sensor that has been installed on the printer will be available. See the operation manual of the adjustable sensor for details.

■ Specifications

- The basic specifications of the adjustable sensor are in accordance with those of paper
- Adjustable sensor travel: 59 mm (2.3 in) from the left edge of the paper (reference line of setting paper). When the adjustable sensor is travelled to the left edge, the black line sensor cannot detect the position of 2 mm (0.078 in) from the left edge of the paper.

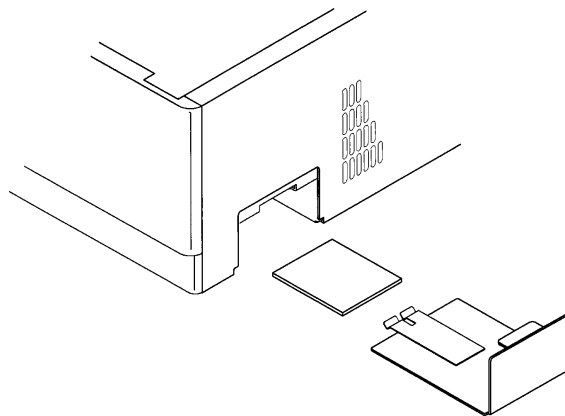
5.4 PCMCIA Memory Card

The PCMCIA memory card is used to:

- 1 Store print format files. Data in the field register area can be stored and loaded.
- 2 Store graphic data. For example, graphic data such as a corporate logo can be stored and recalled from the PCMCIA memory card and printed.
- 3 Store downloaded HP Soft fonts.

■ Installation

- 1 Turn off the power to the printer.
- 2 Remove the PCMCIA memory card cover at the bottom of the printer (see figure).
- 3 Insert the memory card.
- 4 Replace the PCMCIA memory card cover.



- Notes:**
- Before use, carefully read and understand the instructions regarding the PCMCIA memory card.
 - Never try to insert or remove the PCMCIA memory card before the power to the printer is turned off.
 - Always close the PCMCIA memory card cover to keep out foreign matter.
 - If the PCMCIA memory card write failure occurs, check it with the test command (STX.w).

Chapter 6

Specifications

6.1	Main Specifications	6-2
6.2	Interface	6-6
6.2.1	System configuration	6-6
6.2.2	Specification of interface	6-7
6.2.3	RS-232C loopback test	6-8
6.2.4	RS-232C protocol	6-9
6.2.5	Interface pin assignment	6-11
6.3	Outline of Command System	6-13
6.4	Example of Connection to a Computer	6-14
6.5	Tear-Off Function	6-15
6.5.1	Turning Tear ON/OFF	6-15
6.5.2	Tear-off when printing	6-15
6.5.3	Tear-off when feeding	6-16
6.5.4	Tear-off and type of data	6-17
6.5.5	Cut position adjustments	6-17
6.5.6	When "fnnn" command is executed while tear-off is OFF	6-18
6.5.7	Priority order	6-19

6.1 Main Specifications

Item	Description
Printing	<ul style="list-style-type: none"> • Direct-thermal or thermal-transfer printing • 203 dpi (8 dots/mm) print head (Main scanning line density: 8 dots/mm) (Subscanning line density: 8 lines/mm) • Max. print width: 4.1 in (104 mm) • Max. paper width: 4.65 in (118 mm) • Max. print length: 32 in (812 mm)
Print speed	<ul style="list-style-type: none"> • 2–7 inches/second in one-inch units (for CLP-6001) • 2–6 inches/second in one-inch units (for CLP-6002)
Print mode	<ul style="list-style-type: none"> • Batch mode: Performs normal printing (single or multi sheets) • Peel mode: Prints and peels label from mount • Cut mode: Prints and cuts by the specified number of sheets • Tear-off mode: Cuts paper and feeds back to the print starting position
Bar code generator	<p>One-dimensional bar code:</p> <ul style="list-style-type: none"> • Code 3 of 9 • Interleaved 2 of 5 • UCC/EAN128 • UCC/EAN128 Random Weight • Code 128 • Codabar (NW-7) • EAN-8 (JAN-8) • UPC-A • Plessey • Code 93 • UPC5DIG ADD • POSTNET • UCC/EAN128 (for K-MART) • Telepen • EAN-13 (JAN-13) • HIBC (Modulus 43-used code 3 of 9) • Int 2 of 5 (Modulus 10-used Interleaved 2 of 5) • UPC-E • CASE CODE • UPC2DIG ADD • FIM <p>Two-dimensional bar code:</p> <ul style="list-style-type: none"> • UPS Maxi Code • PDF-417

Item	Description
Standard fonts	<ul style="list-style-type: none"> • Font No. 0–6 (fixed pitch, alphanumeric) • Font No. 7–8: OCR-A, OCR-B • Font No. 9: CG Triumvirate smooth font; 6 pt, 8 pt, 10 pt, 12 pt, 14 pt, 18 pt, 24 pt, 30 pt, 36 pt, and 48 pt <p>Character set is in accordance with code page 850</p>
Media sensors	<ul style="list-style-type: none"> • Transparent type sensor: Detects paper gap between labels, tag notch and paper end • Reflective type sensor: Detects black line on back of paper and paper end • Position of top edge of paper (paper home-position) adjustable with software • Ribbon end sensor: Detects ribbon absence or end (holder revolution) • Label peeling sensor (optional)
Paper	<ul style="list-style-type: none"> • Type of paper: Roll, label (continuous, die-cut, fanfold, tag or ticket) • Kinds of paper: Direct-thermal paper, thermal-transfer paper • Max. paper width: 4.65 in (118 mm) • Min. paper width: 1 in (25.4 mm) • Max. print length: 32 in (812 mm) • Min. print length: 0.500 in (12.7 mm) • Max. paper thickness: 0.01 in (0.254 mm) • Min. paper thickness: 0.0025 in (0.063 mm) • Roll paper diam.: max. outer diam.: 8 in (203 mm) paper core: 1.5–3 in (38–76 mm) • Print density adjustable with software
Ribbon	<ul style="list-style-type: none"> • Width: 1–4.5 in (25.4–114 mm) adjustable • Length: 1181 feet (360 m), max. • Max. outer diam.: 2.91 in (74 mm) • Paper core inner diam.: 1 in (25.4 mm) ± 0.01 in (0.254 mm)

Item	Description
Communication interface	<ul style="list-style-type: none"> • RS-232C (standard) • Centronics (standard)
Indications, keys and switches	<ul style="list-style-type: none"> • LEDs: Power and error • LCD: Displays printer status, error contents, mode switch contents, etc • Control panel keys: Pause, Feed and Stop • Mode switch: For parameter setting for switching between direct-thermal and thermal-transfer, communication, etc. • Head up detection switch • Power switch
Options	<p>By factory or reseller (dealer):</p> <ul style="list-style-type: none"> • Auto-cutter unit • Peeler unit • Adjustable sensor (for CLP-6002 only) <p>By user:</p> <ul style="list-style-type: none"> • Flash memory card
Appearance and weight	<ul style="list-style-type: none"> • Height: 10.2 in (260 mm) • Width: 10.2 in (260 mm) • Depth: 16.9 in (430 mm) • Weight: 24.2 lbs (11.0 kg)
Power	<ul style="list-style-type: none"> • Input voltage 120V: -10%+6%, 2.5A, 60Hz (U.S.A., Canada) • Input voltage 220–240V: -10%+6%, 1.2A, 50/60Hz (Europe)
Standards	<p>120V: UL1950 CSA: No. 950 FCC: Class A</p> <p>220–240V: EN60950, EN55022 Class A, EN50082-1, IEC801-2, IEC801-3, IEC801-4</p>

Item	Description
Environment	<ul style="list-style-type: none"> <li data-bbox="507 342 1155 439">• Operating conditions: Temperature: 5–35°C (41–95°F) Humidity: 30–80% (noncondensing) <li data-bbox="507 472 1099 568">• Storage: Temperature: -20–60°C (-4–140°F) Humidity: 5–85% <li data-bbox="507 602 1394 698">• Ventilation: Convective circulation. Air vent must be away from wall etc (to prevent fire) <li data-bbox="507 732 1150 792">• Dust: Free from conductive or corrosive matter

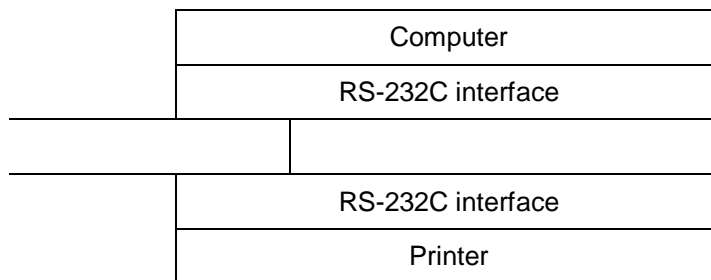
6.2 Interface

6.2.1 System configuration

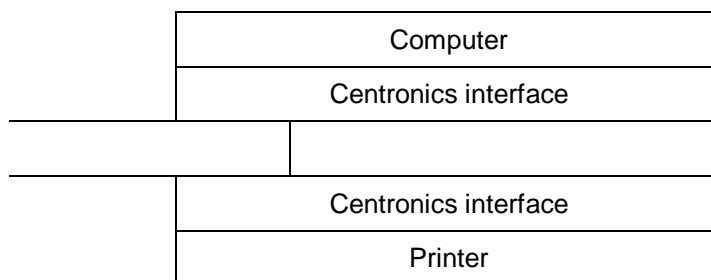
The printer is connected to a computer and prints labels according to the command from the computer.

Two methods of interface with a computer are as follows:

- (1) Serial interface: RS-232C (standard)



- (2) Parallel interface: Centronics (standard)



6.2.2 Specification of interface

(1) Serial interface

Method	Asynchronous serial interface RS-232C
Connector	DSUB 25-pin
Protocol control	XON/XOFF and CTS/DTR
Receive buffer	32K bytes Receiving data stops when the remaining buffer reaches 2K bytes and resumes when the remaining buffer reaches 4K bytes
Baud rate	300, 600, 1200, 2400, 4800, 9600, 19200, 38400 bps
Bit length	7- or 8-bit
Stop bit	Fixed When printer receives data, stop bit is fixed at 1, and when printer transmits data, stop bit is fixed at 2. But computer can transmit and receive data, regardless of stop bit at 1 or 2
Parity	No

(2) Parallel interface

Method	8-bit parallel
Connector	36-pin unphenol type
Synchronous system	Strobe pulse
Handshaking	ACKNLG and BUSY signals
Signal level	TTL

6.2.3 RS-232C loopback test

After connector wiring as shown in the figure, the test mode is turned on. The printer will receive data that has been transmitted by printer itself and the test of receiving and transmitting data will be performed.

RS-232C test

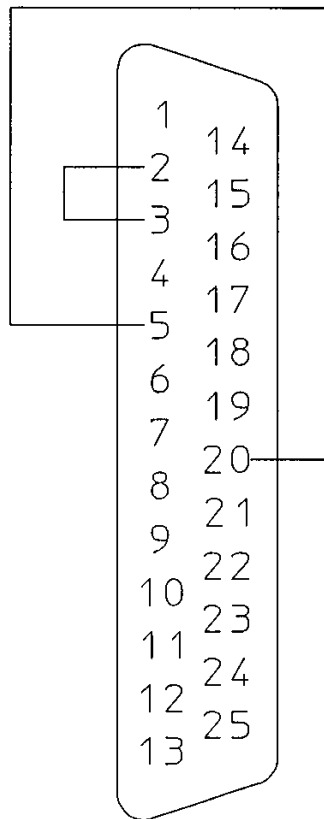


Fig. Loopback test

6.2.4 RS-232C protocol

(1) X-ON/X-OFF system (see the figure)

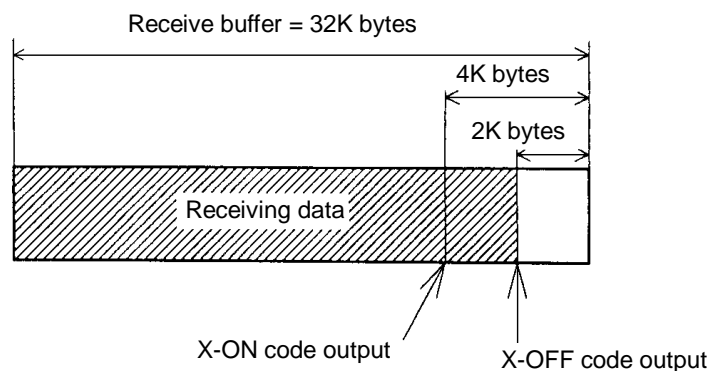
This is a control system in which the data transmission request signal (X-ON (11H) code) and the data transmission stop request signal (X-OFF (13H) code) are output.

Requirements of output of X-ON code:

- When the power is switched to ON.
- When the remaining buffer is 2K bytes or less, the X-OFF is output, and the remaining buffer is 4K bytes or more.

Requirements of output of X-OFF code:

- When printer error occurs.
- When the remaining buffer is 2K bytes or less.



Note: Even if each code is ready for output, the same code cannot be transmitted twice successively (except when the power is turned on or the printer is reset from the control panel).

Fig. Buffer in use

(2) Ready/Busy system (see the figure)

This is a control system in which the DTR signal is output at Ready (High)/Busy(Low) level.

Requirements of DTR "High":

- When the printer is "on line."
- When the remaining buffer is less than 2K bytes.

However, when the remaining buffer of less than 2K bytes is detected, the printer keeps a "Low" level until the remaining buffer is 4K bytes or more.

- When printer alarms such as the printer switched to "off line" occur.

6.2.5 Interface pin assignment

Serial and parallel interface pin assignment tables are shown below.

■ Serial interface pin assignment table

Pin No.	Signal	Input/Output	Description
1	F.GND	–	Frame ground
2	TXD	Output	RS-232C output data
3	RXD	Input	RS-232C input data
4	RTS	–	RS-232C (pull up to +5V with 2 K Ω)
5	CTS	Input	RS-232C data transmission on computer permitted
6	NC	–	No connection
7	S.GND	–	Signal ground
8	NC	–	No connection
9	NC	–	No connection
10	NC	–	No connection
11	NC	–	No connection
12	NC	–	No connection
13	S.GND	–	Signal ground
14	+5VDC	–	+5 V (max. load 100 mA)
15	NC	–	No connection
16	NC	–	No connection
17	NC	–	No connection
18	NC	–	No connection
19	NC	–	No connection
20	DTR	Output	RS-232C data transmission (busy) on printer permitted
21	NC	–	No connection
22	NC	–	No connection
23	NC	–	No connection
24	NC	–	No connection
25	NC	–	No connection

■ Parallel interface pin assignment table

Pin No.	Signal	Input/Output	Description
1	$\overline{\text{STROBE}}$	Input	Strobe signal for reading 8-bit data
2–9	DATA1-8	Input	8-bit parallel signal
10	$\overline{\text{ACKNLG}}$	Output	8-bit data request signal
11	BUSY	Output	Signal specifying printer busy
12	PERROR	Output	Signal specifying paper absence
13	SELECT	Output	Signal specifying printer "on line" (printing) or "off line" (pause)
14	$\overline{\text{AUTOFD}}$	Input	Invalidness (ignorance)
15	NC	–	No use
16	S.GND	–	Signal ground
17	FGND	–	Frame ground
18	P.L.H	Output	Signal specifying peripheral logic high (pull up to +5V with 2 K Ω)
19–30	GND	–	Ground for twisted pair return
31	$\overline{\text{INIT}}$	Input	Printer reset
32	$\overline{\text{FAULT}}$	Output	Signal specifying printer error
33–35	NC	–	No use
36	$\overline{\text{SELECTIN}}$	Input	Invalidness (ignorance)

6.3 Outline of Command System

For details about command system, see the Command Reference separately available.

Commands for this printer consist of a string of ASCII code and end with "CR" (decimal: 13, hex: 0D). Generally, commands are classified into two types, system-level commands and label format commands.

System-level commands are used for system-level operations such as printer status output, sensor selection and memory card maintenance. On the other hand, label format commands are used for definition of printing contents such as character data, bar code data, print speed, and print density.

System-level commands start with ASCII "SOH" (\$01) or "STX" (\$02).

Commands which start with "SOH" are required for realtime execution. When received, they are executed immediately even during printing. Commands which start with "STX" enter the buffer area once and then are executed in the order of data reception.

Label format commands end with "CR", following the system-level commands' "STX" + "L."

System-level commands start with ASCII "SOH" (\$01) or "STX" (\$02).	Commands that start with "SOH": Executed immediately after receiving data (e.g. stop of printing, output of printer status, etc.)
	Commands that start with "STX": Executed in the order of data input to the receive buffer (e.g. switching of sensor, memory card maintenance, etc.)

"STX" + "L" ↓

↑ "E" (with print)

"X" (without print)

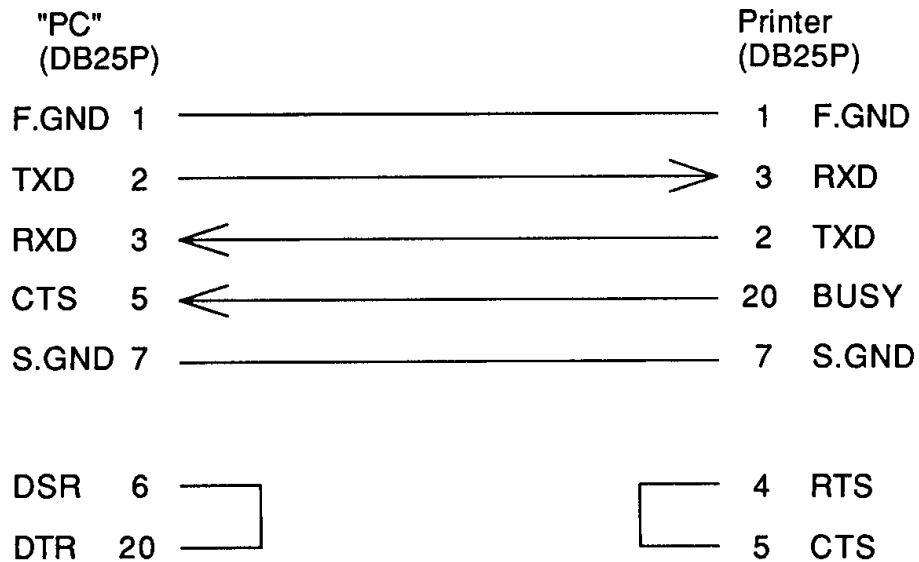
Label format commands end with "CR"	Print parameter control
	Character data definition commands
	Bar code definition commands
	Graphic commands
	Other commands

6.4 Example of Connection to a Computer

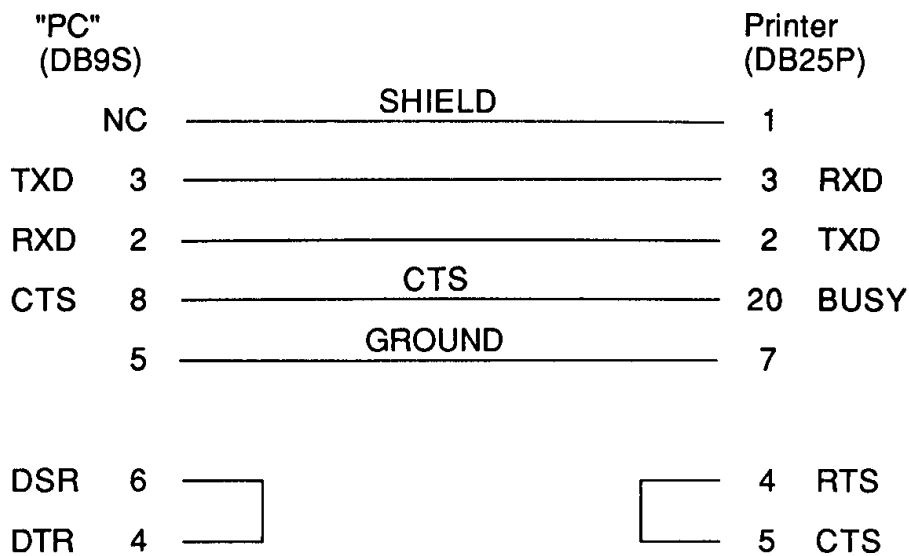
When RS-232C is used:

IBM PC compatible

Communication control: XON/XOFF or CTS/DTR



"PC" (DB9P) to Printer



6.5 Tear-Off Function

The tear-off function eliminates the waste of labels when tearing manually. It allows the paper to automatically advance to the tear position after printing.

When this function is turned on, the printer checks for print request for 0.5 second after printing and if no print request is made, the printer feeds paper to the manual tear position. The printer will feed back paper to the print start position when the next print job is sent.

If data is transmitted continuously from the computer, the tear-off function will be suppressed to increase throughput.

6.5.1 Turning Tear ON/OFF

Tear can be turned to ON or OFF from the control panel. Default is OFF.

Indications on the control panel are as follows:

LCD	
Tear-off invalid	Tear-off valid
"Tear OFF"	"Tear ON"

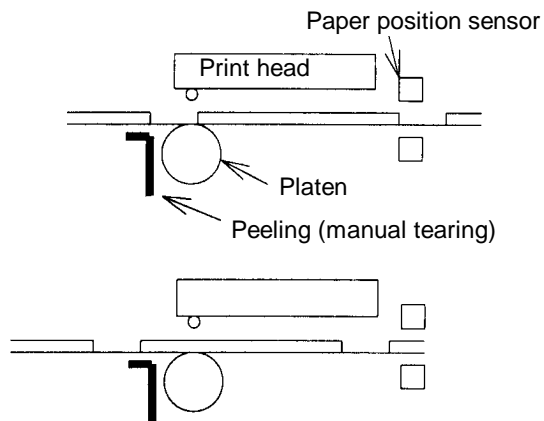
6.5.2 Tear-off when printing

The tear-off will start if no print data is transmitted for 0.5 second after printing. If the next data is transmitted before starting tear-off, the printer will start next printing without tear-off.

Also, the tear-off is only performed for the final label of each batch processing.

(The tear-off is not performed until the specified number of print sheets is completed.)

- Paper is fed to the tear position

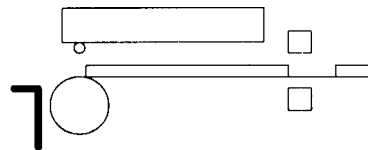


Tear-off will start if no data is sent for 0.5 second after printing

Paper is fed to the position where manual tearing is possible

- When manual tearing is needed, tear the label at this time.
- Performs next label printing.

When next print data is transmitted from the computer, the printer feeds back paper to the previous print completed position and resumes printing.



Paper is fed back to the previous print completed position and printing resumes

6.5.3 Tear-off when feeding

- If no print data is transmitted for 0.5 second after feeding, the tear-off will start. If the Feed key is pressed again before starting tear-off, the printer will feed paper without tear-off.

- Paper is fed to the tear position.
- When manual tearing is needed, tear the label at this time.
- Performs next feeding or label printing.

If the Feed key is pressed or next print data is transmitted from the computer, the printer feeds back the paper to the previous print completed position and resumes feeding or printing.

6.5.4 Tear-off and type of data

When the tear-off is valid, the printer monitors the print data for 0.5 second during or after printing. If print data is transmitted within 0.5 second during or after printing, the printer will start next printing without tear-off. (When data is received during printing, the time of monitoring 0.5 second is not inserted.)

The commands for this printer are mainly classified into the immediately execution commands starting with "SOH" and the sequentially execution commands starting with "STX." In the tear-off function, only the sequentially execution commands related to print processing contents are monitored but the immediately execution commands are not monitored.

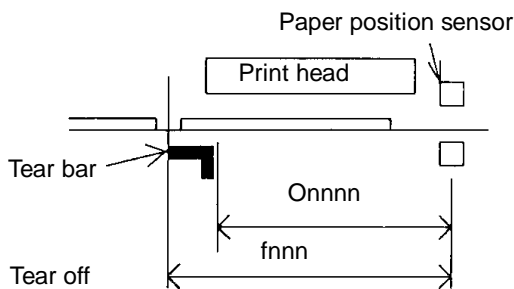
Therefore, even if the printer status or the remaining number of print sheets is read out by using the immediately execution commands during printing, the tear-off will be performed after printing. On the other hand, if the sequentially execution commands are used during printing or within 0.5 second after printing to transmit print-related data, the printer will start next printing without tear-off. (For details, see the Command Reference.)

6.5.5 Cut position adjustments

- The cut position can be set with the "fnnn" of the system-level commands. When the tear-off function is turned on, the following initialization value is set in the printer.

Initialization value: fnnn = f733 (73.3 mm)

The values higher or lower will increase or decrease the amount of feed in the tear-off.



Onnnn: Paper position setting
fnnn: Feed position setting

fnnn ≤ Onnnn
Feed or back-feed is not performed

fnnn > Onnnn
Feed or back-feed is performed

- Initialization parameter values

Initialization values for print or tear position are described below by each operating mode.

In Native ON

Unit: mm (inch)

	Normal print	Auto-cutter	Peeling	Tear-off	Minimum value
Print position (Onnnn, form offset)	55.9(2.2)	—	—	—	12.7(0.5)
Tear position (fnnn, feed offset)	55.9(2.2)	86.3(3.40)	68.5(2.7)	73.5(2.9)	12.7(0.5)

If values lower than the minimum value are set, the initialization value will be set.

In Native OFF

Unit: mm (inch)

	Normal print	Auto-i cutter	Peeling	Tear-off	Minimum value
Print position (Onnnn, form offset)	27.9(1.1)	—	—	—	12.7(0.5)
Tear position (fnnn, feed offset)	27.9(1.1)	58.3(2.3)	37.0(1.46)	42.1(1.66)	12.7(0.5)

If values lower than the minimum value are set, the initialization value will be set.

6.5.6 When "fnnn" command is executed while tear-off is OFF

Even with the tear-off OFF, the paper will be fed to the "fnnn"-specified position after printing if an "fnnn > Onnnn" value is set by using the "fnnn" command.

This function can be used in such cases as another device is incorporated in the printer.

When operating with the FARGO, the following is different from those in the tear-off ON:

- The paper is fed immediately after printing, whereas, in the tear-off ON the paper is fed when no data is transmitted for 0.5 second after printing.

However, if the next print data is transmitted during printing, the printer will start printing without feed or back-feed.

6.5.7 Priority order

The following three functions (optional) cannot be performed simultaneously.

If commands for those three functions are received simultaneously, they will be executed in the following order of priority:

1st: Auto-cutting

2nd: Peeling

3rd: Tear-off

Citizen America Corporation
831 S. Douglas Street, Suite 121
El Segundo, CA 90245
(310) 643-9825
U.S.A.

Citizen Systems Europe Ltd.
Mettinger Strasse 11
73728 Esslingen
Germany

337 Bath Road, Slough
Berkshire, SL1 5PR
United Kingdom

JE99317-10
(70903743)

Printed in Japan