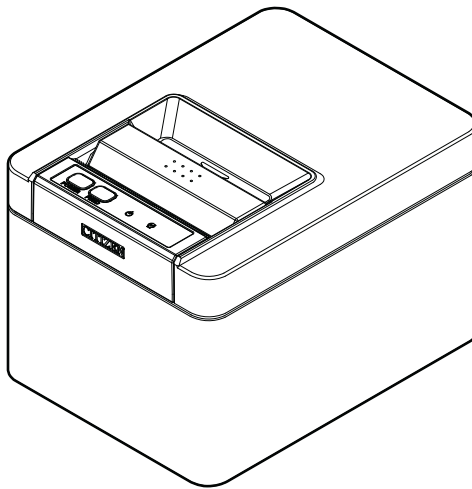


CITIZEN

LINE THERMAL PRINTER

MODEL CT-D101 User's Manual



CITIZEN SYSTEMS JAPAN CO., LTD.

Radio Wave Interference Self-Regulation

This device is a Class A device.

Using this device in a residential environment may cause radio wave interference. In this case, the user may be required to take an appropriate measure.

VCCI-A

GENERAL PRECAUTIONS

- Before using this product, be sure to read through this manual. After having read this manual, keep it in a safe, readily accessible place for future reference.
- The information contained herein is subject to change without prior notice.
- Reproduction or transfer of part or all of this document in any means is prohibited without permission from Citizen Systems.
- Note that Citizen Systems is not responsible for any operation results regardless of omissions, errors, or misprints in this manual.
- Note that Citizen Systems is not responsible for any trouble caused as a result of using options or consumables that are not specified in this manual.
- Except explained elsewhere in this manual, do not attempt to service, disassemble, or repair this product.
- Note that Citizen Systems is not responsible for any damage attributable to incorrect operation/handling or improper operating environments that are not specified in this manual.
- Data is basically for temporary use and not stored for an extended period of time or permanently. Please note that Citizen Systems is not responsible for damage or lost profit resulting from the loss of data caused by accidents, repairs, tests or other occurrences.
- If you find omissions, errors, or have questions, please contact your Citizen Systems dealer.
- If you find any pages missing or out of order, contact your Citizen Systems dealer for a replacement.

- EPSON and ESC/POS are registered trademarks of Seiko Epson Corporation.
- QR Code is a registered trademark of DENSO WAVE INCORPORATED.
- Ethernet is a registered trademark of Fuji Xerox Corporation.
- CITIZEN is a registered trademark of Citizen Watch Co., Ltd.
- All other trademarks are the property of their respective owners.
- Citizen Systems use these trademarks in accordance with the license of relevant owners.

SAFETY PRECAUTIONS...WHICH SHOULD BE STRICTLY OBSERVED

Before using this product for the first time, carefully read these SAFETY PRECAUTIONS. Improper handling may result in accidents (fire, electric shock or injury).

In order to prevent injury to operators, third parties, or damage to property, special warning symbols are used in the User's Manual to indicate important items to be strictly observed.

- After having read this Manual, keep it in a safe, readily accessible place for future reference.
- Some of the descriptions contained in this manual may not be relevant to some printer models.

The following describes the degree of hazard and damage that could occur if the printer is improperly operated by ignoring the instructions indicated by the warning symbols. Be sure to read this information carefully.



WARNING

Neglecting precautions indicated by this symbol may result in fatal or serious injury.



CAUTION

Neglecting precautions indicated by this symbol may result in injury or damage to property.



This symbol is used to alert your attention to important items.



This symbol is used to alert you to the danger of electric shock or electrostatic damage.



This symbol denotes a request to unplug the printer from the wall outlet.



This symbol is used to indicate that the power supply must be grounded.



This symbol is used to indicate useful information, such as procedures, instructions or the like.



This symbol is used to indicate prohibited actions.

PRECAUTIONS ON PRINTER INSTALLATION



WARNING

■ **Do not use or store this product in a place where it will be exposed to:**

- * Flames or moist air.
- * Direct sunlight.
- * Hot airflow or radiation from a heating device.
- * Salty air or corrosive gases.
- * Ill-ventilated atmosphere.
- * Chemical reactions in a laboratory.
- * Airborne oil, steel particles, or dust.
- * Static electricity or strong magnetic fields.



■ **These locations create the risk of printer damage, as well as product failure, overheating, emission of smoke, fire, or electric shock.**

They can also result in fire or electric shocks and so should always be avoided.

■ **Do not drop any foreign object nor spill liquid into the printer. Do not place any object on the printer either.**

■ **Do not drop any metallic object such as paper clips, pins or screws into the printer.**

■ **Do not place a flower vase, pot, or anything containing water on the printer.**

■ **Do not spill coffee, soft drinks, or any other liquid into the printer.**

■ **Do not spray insecticide or any other chemical liquid over the printer.**

■ **Dropping a metallic foreign object into the printer, may cause printer failure, fire, or electric shock.**

Should it occur, immediately turn the printer off, unplug it from the supply outlet, and call your local Citizen Systems dealer.



■ **Do not handle the printer in the following ways:**

- Do not subject the printer to strong impacts or hard jolts (e.g., being stepped on, dropped or struck).
- Never attempt to disassemble or modify the printer.

■ **These actions create the risk of printer damage, as well as product failure, overheating, emission of smoke, fire, or electric shock.**

They can also result in fire or electric shocks and so should always be avoided.





WARNING

This device is not appropriate to be used where a child may be present. Install, store, or use the device where it cannot be reached by a child.



- Electric appliances could cause an unexpected injury or accident if they are handled or used improperly.
- Keep the power cord and signal cables out of the reach of children. Also children should not be allowed to gain access to any internal part of the printer.
- The plastic bag the printer came in must be disposed of properly or kept away from children. Wearing it over the head may lead to suffocation.



CAUTION

Do not use the printer under the following conditions.

- Avoid locations subject to vibration or instability.
- Avoid locations where the printer is not level.

◆ **The printer may fall and cause an injury.**

◆ **The quality of printing may deteriorate.**

- Do not obstruct the printer's air vents.
- Do not place anything on the printer.
- Do not cover or wrap the printer in cloth or blankets.

◆ **Doing so could cause heat to build up and deform the case or start a fire.**

- Avoid using the printer near a radio or TV set or from supplying it from the same electric outlet as these appliances.
- Avoid using the printer interconnected with a cable or cord that has no protection against noise.

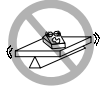
(For interconnections, use shielded or a twisted pair of cables and ferrite cores, or other anti-noise devices.)

- Avoid using the printer with a device that is a strong source of noise.

◆ **The printer may have an adverse effect on nearby radio or TV transmissions. There may also be cases when nearby electrical appliances adversely influence the printer, causing data errors or malfunction.**

- Installed in any orientation other than those specified.

◆ **Malfunction, failure, or electric shock may result.**





CAUTION

■ **Connect the printer to a ground.**

- Electric leakage may cause an electric shock.



■ **Do not connect the printer's ground to any of the following:**

* Gas piping

- A gas explosion could result.



* Telephone line ground

* Lightning rod

- If lightning strikes a large surge of current may cause fire or shock.



* Water pipes

- Plastic water pipes should not be used for grounding. (Those approved by a Waterworks Department may be used.)

■ **Before connecting or disconnecting the grounding lead to or from the printer, always unplug it from the electric outlet.**



PRECAUTIONS IN HANDLING THE PRINTER

WARNING

Please observe the following precautions for power source and power cord:

- Do not plug or unplug the power cord with a wet hand.
- Use the printer only at the specified supply voltage and frequency.
- Use only the specified AC adapter with the printer.
- Use only the power cord that comes with the printer, and never use the supplied power cord with another device.
- Check to make sure that the supply outlet from which the printer is powered has a sufficient capacity.
- Do not supply the printer from a power strip or current tap shared with other appliances.
- Do not plug the power cord into an electric outlet with dust or debris left on the plug.
- Do not use a deformed or damaged power cord.
- Do not move the printer while its power is on.
- ◆ **Neglecting to handle it properly may result in printer failure, emission of smoke, fire, or electric shock.**
- ◆ **An overload may cause the power cord to overheat, catch fire, or the circuit breaker to trip.**
- Do not allow anything to rest on the power cord. Do not place the printer where the power cord may be stepped on.
- Do not subject the power cord to severe bending, twisting, or pulling. Do not carry the product while it is in this state either.
- Do not attempt to modify the power cord unnecessarily.
- Do not place the power cord near any heating device.
- ◆ **Neglecting these cautions may cause wires or insulation to break, which could result in electric leakage, electric shock, or printer failure.**
If the power cord sustains damage, contact your Citizen Systems dealer.
- Do not leave things around the electric outlet.
- Supply power to the printer from a convenient electric outlet, readily accessible in an emergency.
- ◆ **Pull the plug to immediately shut it down in an emergency.**
- Insert the power plug fully into the outlet.
- If the printer will not be used for a long time, disconnect it from its electric outlet.





WARNING

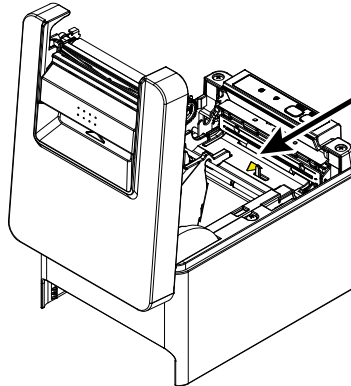
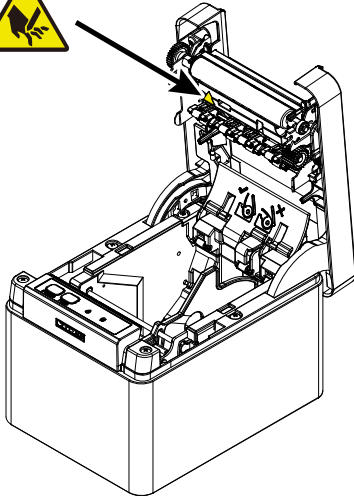
- Hold the plug and connector when plugging or unplugging the power cord or signal cable after turning off the printer and the appliance connected to it.



CAUTION

Caution label is attached in the position shown in the following figure. Carefully read the handling precautions before using the printer.

These labels indicate that the head becomes hot, so touching it may cause burns, and touching the auto cutter when opening the paper cover may cause cuts on hands.

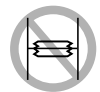


Do not transport this printer with the paper roll inside.

- Printer failure or damage may occur.

To prevent possible malfunction or failure observe the following.

- Do not open the paper cover during printing.
- Avoid operating the printer without paper properly loaded.
- Avoid the use of paper not complying with specifications.
 - ◆ **May result in poor print quality.**
- Avoid using torn pieces of paper or paper spliced with plastic adhesive tape.
- Avoid forcibly pulling already loaded paper by hand.
- Avoid using a sharp pointed device to operate panel buttons.





CAUTION

■ **Be sure to firmly insert the cable plugs into their mating sockets.**

- A cross connection may damage the printer's internal electronics or the host system's hardware.



■ **Only use the printer with devices that have designated solenoid specifications for the cash drawer interface connector.**

- Neglecting this caution may result in malfunction or failure.

To prevent injury and printer failures from worsening, observe the following:

- Do not touch the printing surface of the thermal head.
- Do not touch any of the moving parts (e.g., paper cutter, gears, active electric parts) while the printer is working.
- In case of trouble do not attempt to repair the printer. Ask Citizen Systems service for repair.
- Be careful that the covers do not pinch your hands or fingers.
- Be careful of the sharp edges on the printer. Do not allow them to injure you or damage property.



◆ **May result in electric shock, burn, or injury.**

If the printer emits smoke, an odd smell, or unusual noise while printing, immediately abort the current print session and unplug the printer from the electric outlet.



DAILY MAINTENANCE

Observe the following precautions for daily maintenance.

- When cleaning the printer, always turn it off and unplug it from the electric outlet.
- Using a soft and dry cloth, wipe off any dirt or dust on the surface of the case.

If it is badly soiled, wipe it off with a dish towel wetted with water and wrung out hard.

Never use organic solvents such as thinner, trichloroethylene, benzene, ketone, etc., or chemically treated cloth.

- To remove paper dust, use a soft brush.





CAUTION

**The thermal head is at a dangerously high temperature immediately after printing.
Allow it to cool off before starting maintenance work.**

THE TABLE OF CONTENTS

1. GENERAL OUTLINE	15
1.1 Features	15
1.2 Unpacking	16
1.3 Model Classification	17
1.4 Basic Specifications	17
2. EXPLANATION OF PRINTER PARTS	19
2.1 Printer Appearance	19
2.2 Inside the Paper Cover	22
2.3 Other Built-in Functions	24
3. SETUP	26
3.1 Connecting the AC Power Cord	26
3.2 Connecting Interface Cables	28
3.3 Ethernet (LAN) Interface	30
3.4 Connecting the Cash Drawer	33
3.5 Precautions for Installing the Printer	35
3.6 Loading Paper	36
3.7 58-mm Width Roll Paper Partition	39
3.8 Precautions for Creating Applications and Practical Operations	40
3.9 Download Site for Various Electronic Files	40
4. MAINTENANCE AND TROUBLESHOOTING	41
4.1 Periodic Cleaning	41
4.2 Clearing a Cutter Error	43
4.3 Self Test	44
4.4 Hexadecimal Dump Printing	45
4.5 Error Indications	46
4.6 Paper Jams	48
4.7 Precautions for Performing Printing for Which Printing Speed Changes	48
5. OTHER	49
5.1 External Views and Dimensions	49
5.2 Printing Paper	50
5.3 Manual Setting of Memory Switches	52

1. GENERAL OUTLINE

The CT-D101 line thermal printer series is designed for use with a broad array of terminal equipment including data, POS, and kitchen terminals.

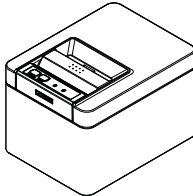
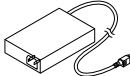
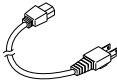
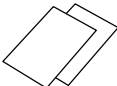
These printers have extensive features so they can be used in a wide range of applications.

1.1 Features

- High-speed printing at up to 250 mm/sec possible
- Silver ion-blended plastic is used for the exterior
- Stylish design
- Compact size with the lowest possible height
- Support for paper widths of 80 mm and 58 mm
- High-speed cutter employed
- Equipped with a paper anti-curling function
- Equipped with triple interface (USB, serial, Ethernet) or single interface (USB)
- Built-in drawer kick interface
- Energy saving function (ENERGY STAR compliant)
- USB-linked power OFF function available
- Paper saving function available
- Support for the JIS X0213 third and fourth level Kanji character sets
- Support for the simplified and traditional Chinese character sets and Hangul character set
- Various customizations using the memory switches possible
- User created characters and logos can be saved in the user memory
- Support for barcodes including 2D barcodes

1.2 Unpacking

Make sure the following items are included with your printer.

NAME	QUAN-TITY	ILLUSTRATION
Printer	1	
AC Adapter (37AD5)	1	
AC power cord*	1	
Quick Start Guide	2	

* The specifications vary according to destination

1.3 Model Classification

Model numbers indicate printer features according to the following system.

CT - D101 TR C - BK

1
2
3
4

1: Model name

2: Interface

UB: USB

TR: USB+Serial+Ethernet

3: Market

A: Asia

C: China

4: Body case color

WH: Pure white

BK: Black

Contact us in advance for special combinations, some of which may not be available.

1.4 Basic Specifications

Item	Specifications			
Model	CT-D101			
Print method	Line thermal dot print method			
Print widths	72 mm/576 dots, 68.25 mm/546 dots, 64 mm/512 dots, 54.5 mm/436 dots, 54 mm/432 dots, 52.5 mm/420 dots, 48.75 mm/390 dots, 48 mm/384 dots, 45 mm/360 dots, factory default 72 mm			
Dot density	8 × 8 dots/mm (203 dpi)			
Print Speed	250 mm/sec (maximum speed, print density level 100%, 2000 dot lines/sec)			
Number of print columns *1	Font	Maximum number of characters (columns) / 80 mm	Maximum number of characters (columns) / 58 mm	Dot configuration (dots)
	Font A	48	35	12 × 24
	Font B	64	46	9 × 24
	Font C	72	52	8 × 16
	Kanji font A	24	17	24 × 24
	Kanji font C	36	26	16 × 16

Item	Specifications
Character size *2	Font A:1.50×3.00 mm, Font B:1.13×3.00 mm, Font C:1.00×2.00 mm, Kanji font A:3.00×3.00 mm, Kanji font C:2.00×2.00 mm
Character type	Alphanumeric characters, international characters, PC437/737/850/852/857/858/860/862/863/864/865/866, WPC1251/1252/1253/1255/1258, Katakana, ThaiCode 11/18 (1Pass/3Pass), TCVN-3, Kanji (JIS first, second, third, and fourth level), Ka-na, extended characters, JIS X0213, GB18030, BIG5, KS Hangul, EUC Hangul
User memory	384 KB (capable of storing user-defined characters and logos)
Bar code types	UPC-A/E, JAN(EAN) 13 digits/8 digits, ITF, CODE39, CODE128, CODABAR (NW-7), CODE93, PDF417, QR Code, GS1-DataBar
Line spacing	4.25 mm (1/6 inch) (Variable by command)
Paper roll	Roll paper: 80 mm x max. ø83 mm Paper thickness: 53 to 85 µm (paper roll inner diameter 12 mm / outer diameter 18 mm)
Interface	USB, USB+serial+Ethernet
Cash drawer kick-out	Supports 2 cash drawers
Input buffer	4 K bytes/45 bytes
Supply voltage	DC 24 V ±5%
Power consumption	Approx. 45 W (when printing), approx. 1 W (in standby mode), approx. 0.3 W (with power off)
AC Adapter (37AD5)	Rated input: AC 100 to 240 V, 50/60 Hz, 150 VA Rated output: DC 24 V, 2.1 A
Weight	Approximately 1.2 kg
Outside dimensions	125 (W) × 165 (D) × 108 (H) mm
Operating temperature and humidity	5 to 45°C, 10 to 90% RH (no condensation)
Storage temperature and humidity	-20 to 60°C, 10 to 90% RH (no condensation)
Reliability	Print head life: 150 km, 200 million pulses (room temperature, room humidity, specified recommended paper, specified paper thickness), Auto cutter life: 1.5 million cuts (3-inch), 1 million cuts (2-inch) (room temperature, room humidity, specified recommended paper, specified paper thickness)
Safety standard *3	UL, cUL, FCC, IC, CE, UKCA *4

Notes:

*1 The number of printable columns is selected using a memory switch.

The numbers of columns noted in this table refer to typical models. The number of columns varies depending on specifications.

*2 Characters appear small because the dimensions include a blank area surrounding each character.

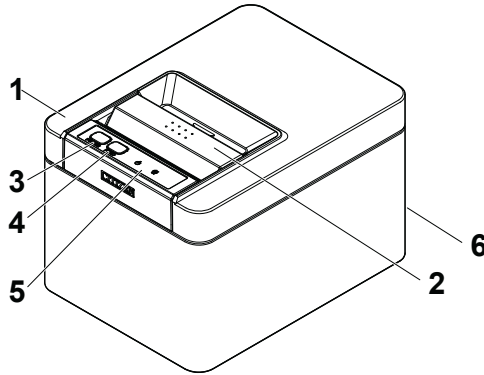
*3 This standard applies when our AC Adapter (37AD5) is used.

*4 Please contact us for information on other regions and the latest status such as standard numbers.

2. EXPLANATION OF PRINTER PARTS

2.1 Printer Appearance

Names of parts



1: Paper cover

Open to load paper.

Also open to clear a cutter error.



Refer to 4.2 Clearing a Cutter Error

2: Cover open lever

Use to open and close the paper cover.

3: POWER button

Hold down two or three seconds to switch power on or off.

4: FEED button

Press this button to feed paper.

In case of a cutter error, press the FEED button with the paper cover closed after removing the cause.

The printer enters the mode for setting memory switches and running self test.



Refer to 4.3 Self Test



Refer to 5.3 Manual Setting of Memory Switches



5: Operation panel

6: Rear connectors

Operation panel

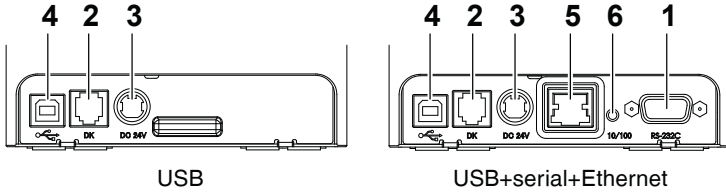


Two LEDs and two keys are placed on the operation panel.

	LED name	Description
	POWER LED	Turns on when the power is turned on and turns off when the power is turned off. Flashes when a memory error occurs and when data is being received.
	ERROR LED	Flashes when the print head is hot, when the paper cover is open, when a cutter error occurs, and so on.

 **Refer to 4.5 Error Indications**

Rear connectors



1: Serial connector

2: Cash drawer kick-out connector

Connect to the cable from the cash drawer.

3: Power connector

Connect to the AC adapter cable.

4: USB connector

5: Ethernet connector

6: Panel button

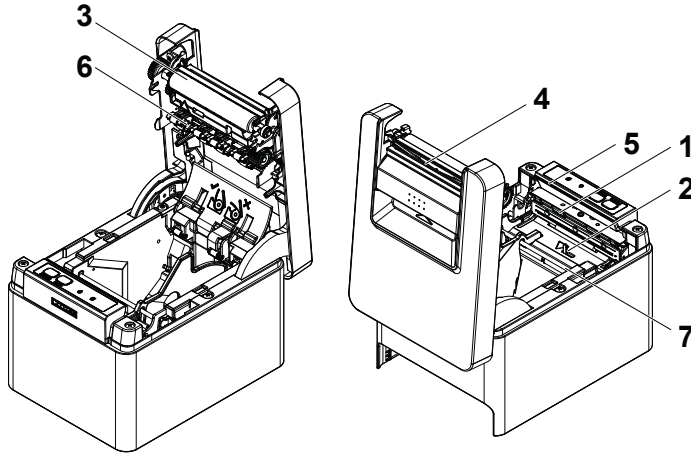
The current configuration information can be printed.

For details, refer to “Ethernet (LAN) Interface” in Section 3.3.



Refer to 3.3 Ethernet (LAN) Interface

2.2 Inside the Paper Cover



1: Print head (thermal)

Prints characters and graphic data on paper (paper rolls).

2: Paper end (PE) sensor

Detects when there is no paper. Printing stops when this sensor detects there is no paper.

3: Platen

Feeds the paper.

Do not remove the platen except to do maintenance.

4: Auto cutter

Cuts the paper.



Refer to 5.3 Manual Setting of Memory Switches

5: Manual cutter

For cutting the paper manually when printing is finished.

6: Paper anti-curling roller

Roller for reducing the warp of the paper.

7: Paper anti-curling damper

Damper for reducing the warp of the paper.

Notes

The anti-curling roller and anti-curling damper do not straighten the paper completely.

2.3 Other Built-in Functions

- Buzzer

Buzzes when errors occur or when operations or command operations are performed.



Refer to 4.5 Error Indications

- User memory

You can save user-defined logo and character data in this memory. Data remains stored in this memory even if the printer is turned off. For information on how to save data, refer to the Command Reference.

- Memory switch

Setting of various kinds of functions can be stored in memory. Settings remain stored in the memory even if the printer is turned off.

- USB-linked power OFF (When MSW6-3 of memory switch is set to ON)

When the printer is connected to PC by USB, the printer becomes the state of USB-linked power OFF after 3 seconds when PC power off or USB connection lost.

This mode is canceled when the PC is turned back on or when a USB connection is established.

Notes

- Since the POWER LED is unlit when the state of USB-linked power OFF, it cannot be identified from the power OFF.
- Pressing the POWER button while the state of USB-linked power OFF turns on power normally.

- Paper saving functions

Memory switches MSW8-3 through MSW8-4 can be used to configure the settings below, which save paper.

- Top margin suppression

The printer back feeds the paper before printing which reduces the blank space at the top edge of the paper.

The back feed amount can be specified.

- Line gap reduce

Automatically compresses the linefeed amount between lines. The compression ratio can be specified.



CAUTION

Remove the partially cut paper before performing back feed for starting printing.
The cut paper may be torn off in the next printing process, which may cause a problem.

- Auto side shift (MSW8-6)

This function dissipates heat load during frequent heat generation by a vertical ruled line or other specific head heating element.

If no data is received within 15 seconds after each cut or print, the print position is automatically slid N^* dots to the right. The original print position is returned to at the next slide timing.

* N is the MSW8-6 setting value.

Notes

- If the right margin is too narrow, this may result in some print characters being cut off.
- This function is disabled under initial settings.
- To enable this function, use MSW8-6 to specify an appropriate value for the maximum slide amount.

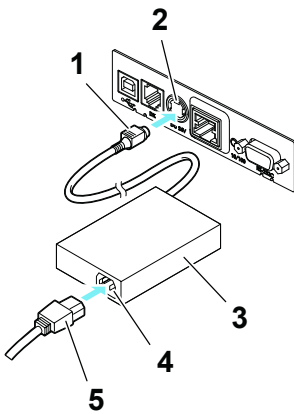
3. SETUP

3.1 Connecting the AC Power Cord

1. Turn off the power.

2. Connect the power connector to the AC adapter cable connector.

Next, connect the AC power cord to the AC inlet, and insert the plug into an electric outlet.



- 1. Cable connector
- 2. Power connector
- 3. AC adapter
- 4. AC inlet
- 5. AC power cord



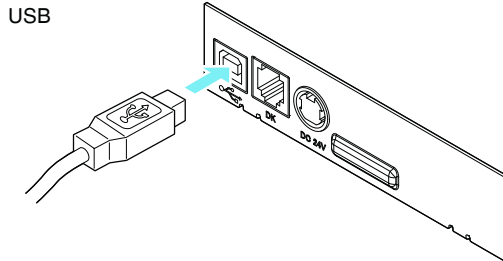
CAUTION

- Use only the specified AC adapter.
- Always hold the AC adapter's cable connector by the connector when removing or inserting it.
- Use an AC power source that does not also supply power to equipment that generates electromagnetic noise.
- Pulling on the AC power cord may damage it, cause a fire, electric shock, or break a wire.
- If a lightning storm is approaching, unplug the AC power cord from the electric outlet. A lightning strike may cause a fire or electric shock.
- Keep the AC power cord away from heat generating appliances. The insulation on the AC power cord may melt and cause a fire or electric shock.
- If the printer is not going to be used for a long time, unplug the AC power cord from the electric outlet.
- Place the AC power cord so that people do not trip on it.
- Be sure to unplug the AC power cord when connecting the cable connector to the power connector. If the AC power cord is left plugged into the electric outlet, the 24 V and GND terminals of the cable connector may come into contact with the screw head or other metal parts and cause a short circuit, resulting in malfunction of the AC adapter.

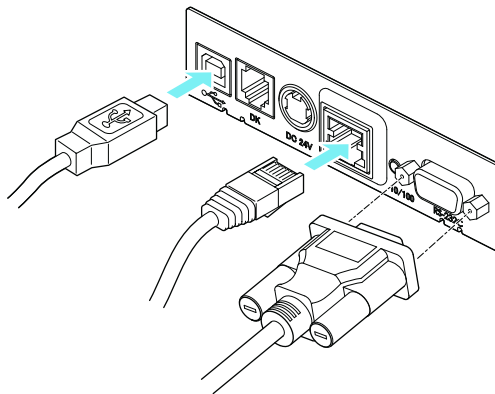
3.2 Connecting Interface Cables

1. Turn off the power.

2. Orient the interface cable correctly and insert it into the interface connector.



USB+serial+Ethernet



CAUTION

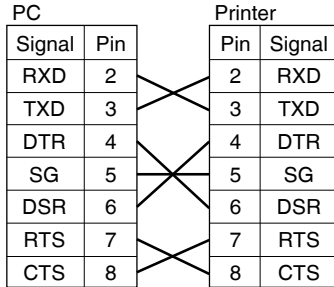
- When disconnecting the cable, always hold the connector.
- Be careful not to insert the USB cable into the cash drawer kick-out connector.
- Hold the connector of the LAN cable perpendicular and straight when connecting or disconnecting it. Doing it at an angle may cause the connector to misconnect.

Notes

To connect more than one printer to a single computer by USB, you must change the serial number of the USB interface.

Use a serial cable with the connection layout shown below.

9-pin (female) - 9-pin (female) cable



CAUTION

Place the interface cable so that people do not trip on it.

3.3 Ethernet (LAN) Interface

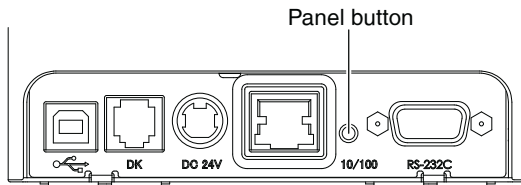
The following describes an overview of the Ethernet (LAN) interface.

For details on this function, refer to a separate manual.

Note that the Ethernet (LAN) interface is not available in the USB model.

Panel button operation

The function of the panel button is as follows.



- Printing network setup information

Press the panel button.

- Returning to factory settings

Hold down the panel button. A buzzer* will sound and then hold down the panel button again within 3 seconds. It returns network settings to its factory settings.

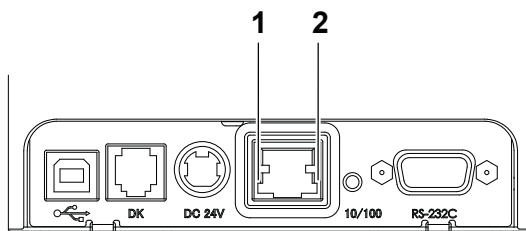
* Depending on settings, the buzzer may not sound.

Notes

- The board will automatically restart after this operation is complete.
- If settings are configured to obtain an IP address from a DHCP server automatically, the new IP address may be different from the previous one.

LED Functions

The tables below explain how to interpret LED indications.



1: Network transmission speed

Transmission speed	LED (green)
100 Mbps	Lit
10 Mbps/Not connected	Unlit

2: Network status

Status	LED (yellow)
Connected	Lit
Not connected	Unlit
Data transmission in progress	Flashing

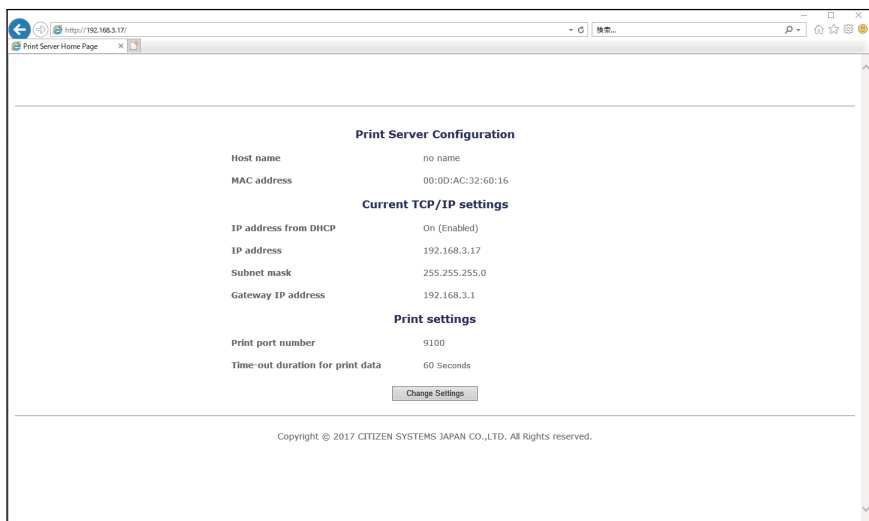
Changing network settings

You can use a web browser to access a special settings page to check and change board settings.

- Access the special settings page

1. Use a web browser to access the URL of the special settings page. Enter the IP address assigned to the printer as the part of URL. (Example: For an IP address of 169.254.1.10, input: <http://169.254.1.10>.)

2. This displays the page to display the current status.



3. Press the [Change Settings] button to enter the following Change Settings screen. For details, refer to a separate manual.

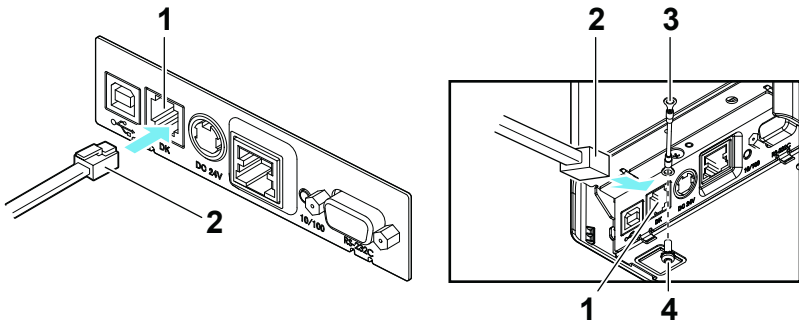
The screenshot shows a web browser window with the address bar displaying `https://192.168.3.171/config.html`. The page title is "Print Server Home Page". The main content area is titled "Print Server Configuration" and contains the following fields and options:

- Host name:** A text input field containing "no name" with a character count of "0 - 31 characters".
- MAC address:** A text input field containing "00:0D:AC:32:60:16".
- TCP/IP settings:**
 - IP address from DHCP:** Radio buttons for "Enable" (selected) and "Disable".
 - IP address:** A text input field containing "192.254.1.10" with the note "When DHCP disabled".
 - Subnet mask:** A text input field containing "255.255.0.0" with the note "When DHCP disabled".
 - Gateway IP address:** A text input field containing "0.0.0.0" with the note "When DHCP disabled".
- Print settings:**
 - Print port number:** A text input field containing "9100".
 - Time-out duration for print data:** A text input field containing "60" with the unit "Seconds".

At the bottom of the form are three buttons: "Save Settings", "Cancel Changes", and "Back to Home". Below the form, the footer text reads: "Copyright © 2017 CITIZEN SYSTEMS JAPAN CO.,LTD. All Rights reserved."

3.4 Connecting the Cash Drawer

1. Turn off the power.
2. Confirm the orientation of the cash drawer kick-out cable connector and connect it to the cash drawer kick-out connector at the back of the printer.
3. Remove the screw for the ground wire.
4. Screw the cash drawer's ground wire to the body of the printer.



1. Cash drawer kick-out connector
2. Cash drawer kick-out cable connector
3. Ground wire
4. Screw for ground wire



CAUTION

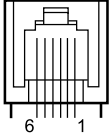
- Connect only the cash drawer kick-out cable to this connector. (Do not connect a telephone line.)
- Hold the connector of the drawer kick cable perpendicular and straight when connecting or disconnecting it. Doing it at an angle may cause the connector to misconnect.

Notes

Signals cannot be output from the cash drawer kick-out connector while printing.

(1) Connector pin configuration

No.	Signal	Function
1	FG	Frame ground
2	DRAWER1	Cash drawer 1 drive signal
3	DRSW	Cash drawer switch input
4	VDR	Cash drawer drive power supply
5	DRAWER2	Cash drawer 2 drive signal
6	GND	Signal ground (common ground on circuits)



* Connector used: TM5RJ3-66 (Hirose) or equivalent

* Applicable connector: TM3P-66P (Hirose) or equivalent

(2) Electric characteristics

1) Drive voltage: 24 VDC

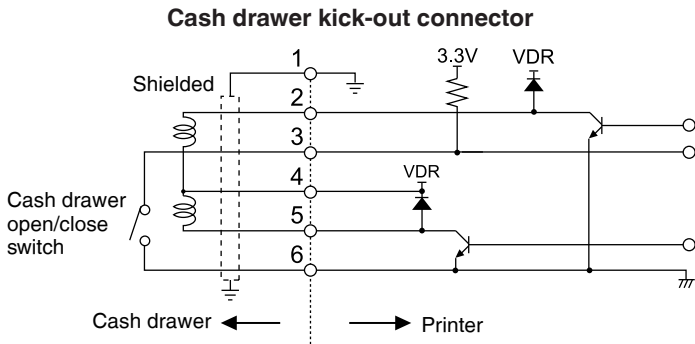
2) Drive current: Approx. 1 A max. (not to exceed 510 ms.)

3) DRSW signal: Signal levels: "L" = 0 to 0.5 V, "H" = 3 to 5 V

(3) DRSW signal

Status can be tested by commands.

(4) Drive circuit

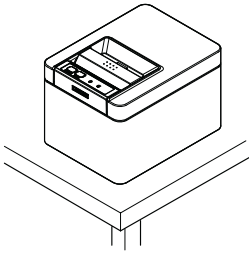


CAUTION

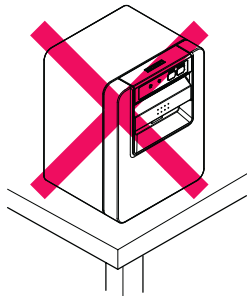
- Cash drawers 1 and 2 cannot be operated at the same time.
- The solenoid used for the cash drawer should be 24 Ω or more. Do not allow the electric current to exceed 1 A. Excessive current could damage or burn out the circuits.

3.5 Precautions for Installing the Printer

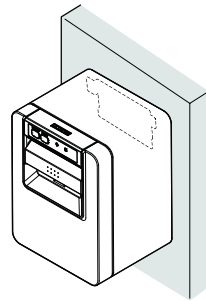
This product can be used horizontally or wall-mounted. Cannot be used vertically.



Horizontal position



Vertical position



Wall-mounted



CAUTION

■ **Do not use the printer under the following conditions.**

- Avoid locations subject to vibration or instability.
- Locations that are very dirty or dusty.
- Avoid locations where the printer is not level.
 - ◆ **The printer may fall and cause an injury.**
 - ◆ **The quality of printing may deteriorate.**
- Oriented other than as specified.
 - ◆ **Malfunction, failure, or electric shock may result.**

■ **Precautions for horizontal installations**

- Do not use the full cut setting. Doing so could cause a cutter jam.

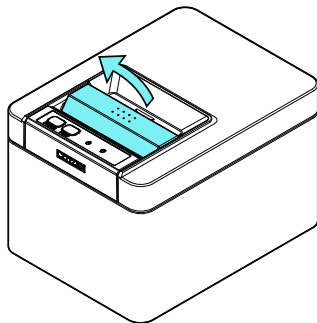
For wall mounting

If the printer is to be wall-mounted, ask a service person to install it.

For more information, please refer to the separate Wall Mount Kit manual.

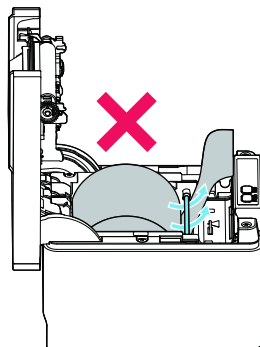
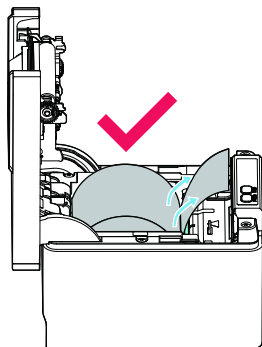
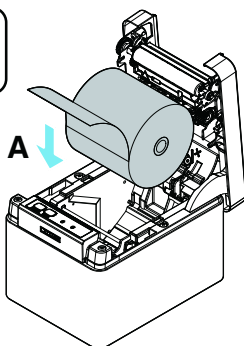
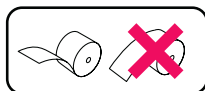
3.6 Loading Paper

1. Turn on the power.
2. Pull the cover open lever toward you to open the paper cover.

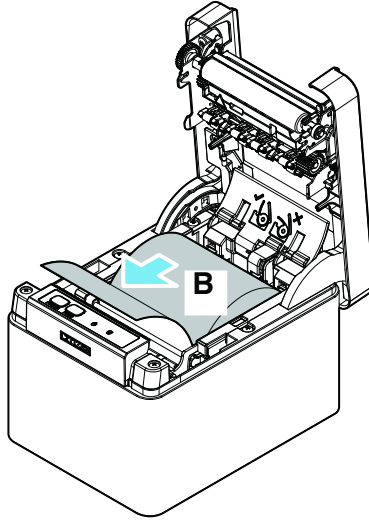


3. Load the paper roll so that the printable side of the paper is facing up, as shown by arrow A.

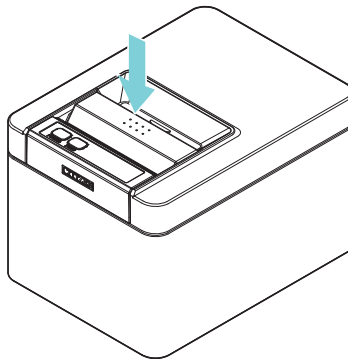
Set the roll paper so that it passes over the paper anti-curling damper.



4. Pull a few centimeters of paper straight out in the direction of arrow B.



5. Close the paper cover until you hear a click. Paper is fed and cut automatically (by the factory setting).





CAUTION

- When opening the paper cover, be careful not to touch the entrance of the blade of the auto cutter.
- The print head is very hot immediately after printing. Be careful not to touch it with your hands.
- Do not touch the print head with bare hands or metal objects.
- When closing the paper cover, be careful not to pinch your fingers.
- Be careful of paper cuts while loading the paper.

Notes

- Always use the specified types of paper rolls.
- Confirm that the paper roll is set correctly.
- If the paper is skewed and not coming straight out of the paper cover, open it and straighten the paper.
- Always pull a few centimeters of paper straight out of the printer if you open the paper cover while paper is loaded.
- Press on the center of the paper cover to close it securely.
If only one of them is closed, uneven printing may occur.



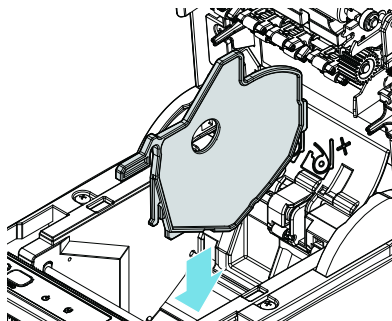
Refer to PRECAUTIONS IN HANDLING THE PRINTER

3.7 58-mm Width Roll Paper Partition

1. Turn off the power.
2. Pull the cover open lever toward you to open the paper cover.
3. Mount the supplied partition to the groove. When using the 80-mm width roll paper, remove the partition.
4. Change the print area width while referring to “Manual Setting of Memory Switches” in Section 5.3.



Refer to 5.3 Manual Setting of Memory Switches



CAUTION

- When opening the paper cover, be careful not to touch the entrance of the blade of the auto cutter.
- The print head is very hot immediately after printing. Be careful not to touch it with your hands.
- Do not touch the print head with bare hands or metal objects.

Notes

When using 58-mm wide paper, use the printer as a dedicated printer for that paper size. The printer may not correctly feed paper or print if it is switched to 80-mm wide paper after using 58-mm wide paper.



Refer to PRECAUTIONS IN HANDLING THE PRINTER

3.8 Precautions for Creating Applications and Practical Operations

If printing is done immediately after the paper is partially cut and torn off, the top of the next print out may be distorted.

For printing after cutting, we recommend to print with the first line empty.

If you are using a serial interface that has a slow data transmission speed, streaks may appear in the printouts when you are printing graphics or gradated text, which require large amounts of data.

USB interfaces may be susceptible to the effects of electromagnetic interference from the host or environment.

If this is the case, try using a cable with ferrite cores on both ends, which are very effective at eliminating EMI.

3.9 Download Site for Various Electronic Files

You can view support information and download the latest documents, drivers, utilities, etc. from the following site.

<https://www.citizen-systems.co.jp/en/printer/download/#CT-D101>

4. MAINTENANCE AND TROUBLE-SHOOTING

4.1 Periodic Cleaning

How to care for the printer's exterior surface

After turning off the printer, wear gloves and use a soft cloth or an absorbent cotton to wipe it off.

At this time, be sure to unplug the AC power cord from the outlet.



CAUTION

- Prolonged use of cleaning agents may cause whitening of the outer case.
- When cleaning with an approved chemicals, test it beforehand and always refer the manufacturer's recommended procedure.
- Do not clean with Ethanol where fire is present, as Ethanol is extremely flammable.
- Utilize a soft cloth when spreading chemicals onto printer. Do not spray or pour directly onto printer.
- Wipe off the disinfectant with a soft damp cloth after cleaning procedure. No water droplets should remain on the printer.
- Do not soak or wipe the inside of the printer nor allow disinfectant gets inside. It may cause a product failure.

How to clean the print head and platen

If the print head, platen, or other parts of the printer are dirty, the printer may not print cleanly or it could cause a malfunction. It is recommended that you clean the unit periodically (approximately two to three months) using the following procedure.

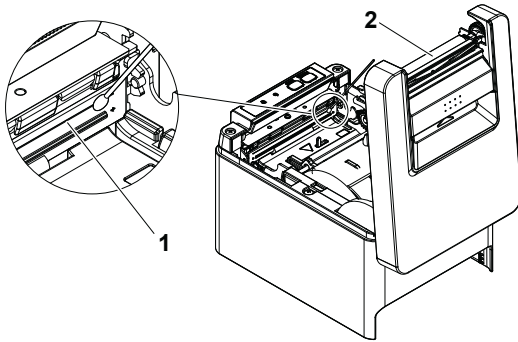
1. Turn off the power.

At this time, be sure to unplug the AC power cord from the outlet.

2. Pull the cover open lever toward you to open the paper cover.

3. Wait a few minutes until the print head cools.

4. Use a cotton swab dampened with ethyl alcohol to wipe off any dirt and dust that is on the print head and platen.



1. Print head
2. Platen



CAUTION

- When opening the paper cover, be careful not to touch the entrance of the blade of the auto cutter.
- The print head is very hot immediately after printing. Be careful not to touch it with your hands.
- Do not touch the print head with bare hands or metal objects.



Refer to PRECAUTIONS IN HANDLING THE PRINTER

4.2 Clearing a Cutter Error

If the auto cutter stops during the auto cutter operation with the blade of the auto cutter in the open position due to foreign matter entering, paper jamming, etc., the ERROR LED flashes.

When a cutter error occurs, resolve the cutter error with the following procedure.

1. Turn off printer power.
2. Flip up the cover open lever to open the paper cover.
3. Remove any jammed paper including any scraps of paper. (Remove the paper roll that is loaded in the holder also.)
4. Reload the paper roll and close the paper cover.
5. Turn on the power.



CAUTION

- When opening the paper cover, be careful not to touch the entrance of the blade of the auto cutter.
- The print head is very hot immediately after printing. Be careful not to touch it with your hands.
- Do not touch the print head with bare hands or metal objects.



Refer to PRECAUTIONS IN HANDLING THE PRINTER

4.3 Self Test

You can use self test to check for printer problems.

Performing a self test operation

1. While paper is loaded, press and hold the FEED button and turn on the power.
2. Hold the FEED button down for about one second until the buzzer sounds. Release the button to start self test. The printer will print its model name, version, memory switch settings, and built-in fonts.

```
CT-D101 ← 1
EY00-XXXX
20XX-XX-XX } 2
PROG : BOT-XXX.XXX
FONT : ANK-XXX.XXX
CONF : C3R-3R
SUM : XXX-XXXX
Interface Type
USB/Serial/LAN
Serial Interface
Baud rate :9600
Data bit :8 bits
Parity :None
Handshaking :DTR/DSR
Buffer Size
4K Bytes } 3
} 4
```

```
Memory switches
Memory SW( 1) 00000000
Power ON Info (Valid
Buffer Size (4K bytes
Busy Condition (Full/Err
Receive Error (Print ?
CR Mode (Ignored
DSR Signal (Invalid
Memory SW( 2) 00001011
Auto Cutter (Valid
Spool Print (Invalid
Full Col Print (WaitData
Resume aft PE (Next
Memory SW( 3) 00000010
Resume Ctrr Err (Valid
CBM1000 Mode (Invalid
Resume Open Err (Close
Memory SW( 4) 10000100
Feed&Cut at Top (Valid
Partial Only (Valid
Memory SW( 5) 00000100
Buzzer (Valid
Line Pitch (1/360
USB Mode (Printer Class
} 5
```

- 1: Printer type name
- 2: Firmware version
- 3: Interface settings
- 4: Buffer size
- 5: Memory switch settings

4.4 Hexadecimal Dump Printing

Print received data in hexadecimal. If problems such as missing or duplicated data occur, this function allows you to check whether or not the printer is receiving data correctly.

How to do hexadecimal dump printing

1. Load paper.
2. While the paper cover is open, hold down the FEED button as you turn on printing power. Keep FEED button pressing until the POWER LED starts to flash, and then close the paper cover.
3. The printer will print “HEX dump print mode” followed by the received data printed in hexadecimal numbers and some characters.

How to stop hexadecimal dump printing

Do one of the following to stop printing.

- Press the FEED button consecutively three times
- Turn off the power
- Receive a reset command from an interface

Notes

- The printer prints “.” if there is no character corresponding to the data.
- None of the commands function during hexadecimal dump printing.
- If print data does not cover a complete line, press the FEED button to advance the paper.

Print example

HEX dump print mode

```
61 62 63 64 65 66 67 0A 0D 0D 0D 0D abcdefg.....  
0D 0D 0D                                     .....
```

4.5 Error Indications

- Paper End

If the paper ends, the ERROR LED lights and a buzzer sounds. Load a new paper roll. The buzzer may not sound depending on the memory switch setting.

- Cover Open

If the cover is opened, the ERROR LED lights.

The buzzer may also sound depending on the memory switch setting.

Do not open the cover during printing. If the cover is accidentally opened, the ERROR LED flashes. Check the paper, pull it straight out of the printer by a couple of centimeters, and then close the cover. Printing restarts. A command must be sent to restart printing depending on the memory switch setting.

- Cutter Error

If the auto cutter stops due to paper jamming, etc., the ERROR LED flashes. Remove the cause and press the FEED key. If the auto cutter still does not move and the paper cover cannot be opened, refer to “Clearing a Cutter Error.”












Refer to 4.2 Clearing a Cutter Error

- Print Head Hot

Dense printing, heavy black printing, and continuous printing in a high temperature environment increase the temperature of the print head. When the print head exceeds a certain temperature, the printer stops printing and waits until the temperature of the print head decreases. The ERROR LED flashes during this time. When the temperature decreases, printing restarts automatically.

The status display for various messages is shown below.

Status	POWER LED (green)	ERROR LED (red)	Buzzer sound *3
Paper End	Lit	Lit	Yes
Cover open*1	Lit	Lit	No
Cover open II*2	Lit		No
Cutter Error	Lit		Yes
Memory Error		-	No
Print Head Hot	Lit		No
Low-voltage Error	Lit		No
High-voltage Error	Lit		No
System Error	Lit		No
Wait for Macro Execution		Unlit	No

Status	POWER LED (green)	ERROR LED (red)	Buzzer sound *3
Data reception		Unlit	No

Notes

*1 Indicated when a cover is opened during standby.

*2 Indicated when a cover is opened during printing.

*3 The buzzer sounds when MSW5-1 (buzzer setting) is enabled.

However, the condition that the buzzer sounds varies depending on the MSW5-1 and MSW10-5 settings.

4.6 Paper Jams

Take care to avoid obstruction of the paper outlet and paper jamming around the outlet during printing.

If paper cannot get out of the printer, it can roll up on the platen inside the printer and cause an error.

If the paper wraps around the platen, open the paper cover and carefully pull the paper out.

4.7 Precautions for Performing Printing for Which Printing Speed Changes

When printing for which the printing speed changes is performed, white lines may be printed or paper may not be fed depending on the printing conditions. To prevent these problems, change the following memory switch settings.

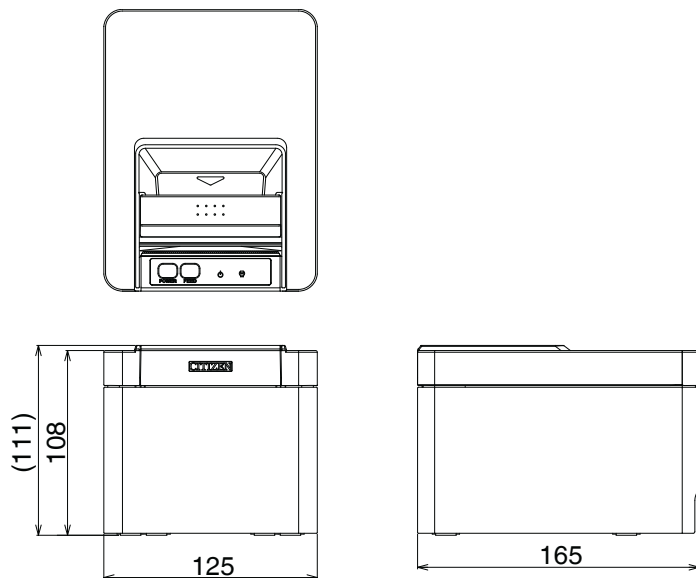
1. **Enable MSW2-3 (buffering).**
2. **Increase the baud rate of MSW7-1 (serial baud rate).**
3. **Change MSW10-2 (print speed) to a lower level.**

Notes
Depending on the serial interface transmission speed, ambient temperature, print data duty, and other factors, changing the above settings may not eliminate the problems.

5. OTHER

5.1 External Views and Dimensions

(Unit: mm)

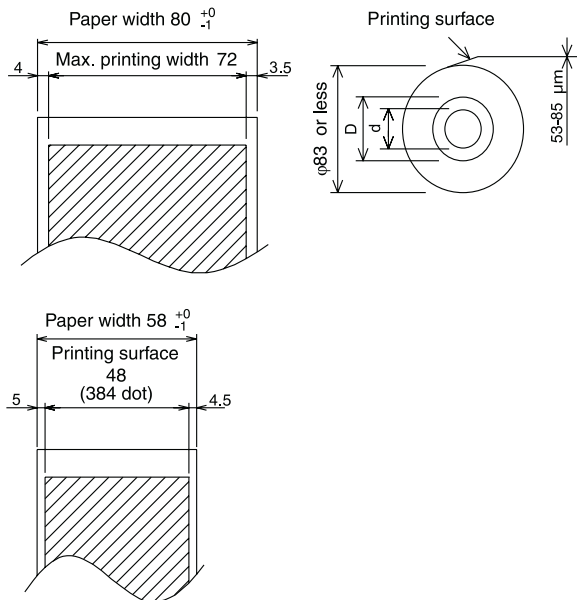


5.2 Printing Paper

Use the paper shown in the following table or paper of the same quality.

Paper type	Product name
Recommended thermal roll paper	Nippon Paper TP50KR-2Y, TP50KJ-R, TL69KS-LH, TF50KS-E2D
	Oji Paper PD150R, PD160R, PD160R-63
	Mitsubishi Paper Mills HP220AB-1, P220AB
	Koehler KT48-FA

(Unit: mm)



Paper thickness (μm)	53 to 85
Core inner diameter d (mm)	$\phi 12$
Core outer diameter D (mm)	$\phi 18$

Notes

Use thermal paper that is wound as follows:

- Not creased and fits tight to the core.
- Not folded.
- Not glued to the core.
- Rolled with the printable side out.

5.3 Manual Setting of Memory Switches

Memory switches are used to set various printer settings. Memory switches can be set manually, or by utilities or commands. This section explains how to perform manual settings.

For information on how to set the memory switches using commands, please refer to the Command Reference.

Quick setting mode

The settings for the memory switches for a replacement printer's manufacturer, model, paper width, and character spacing can be set at the same time to the optimum settings.

Do the settings while confirming the selected items on the printout.

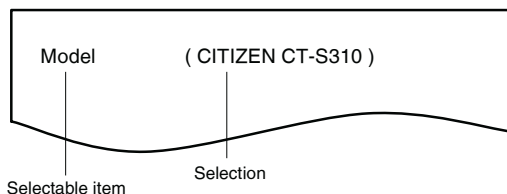
1. Load paper.

2. While the paper cover is open, press and hold the FEED button and turn on the power.

3. Press the FEED button three and close the paper cover.

The printer enters memory switch quick setting mode.

The selectable item "Model" and the selection are printed.



4. Press the FEED button.

A selection is printed in order through the cycle each time the FEED button is pressed.

Press the FEED button until the selection you want is printed.

5. Press the FEED button for at least two seconds.

The selection is set.

If there is another selectable item, it and the selection are printed.

6. Repeat steps 4 and 5 to select and set the printer's model, paper width, character spacing (EPSON T88 only).

When all the items are set, "Save To Memory" is printed.

7. Press the FEED button for at least two seconds.

The changed memory switch settings are saved and a list of them is printed.

The printer exits quick setting mode when printing is finished.

Selected item			Automatic memory switch settings			
Manufacturer	Paper width	Character space	MSW2-4 Full Col Print	MSW3-7 CBM1000 Mode	MSW8-1 Print Width	MSW6-2 Character Space
CITIZEN CT-S310	58 mm	-	WaitData	Invalid	384 dots	-
	80 mm	-	WaitData	Invalid	576 dots	-
EPSON T88	58 mm	0 dot	WaitData	Invalid	360 dots	0 dot
		1 dot	WaitData	Invalid	390 dots	1 dot
	80 mm	0 dot	WaitData	Invalid	512 dots	0 dot
EPSON	80 mm	1 dot	WaitData	Invalid	546 dots	1 dot
		-	WaitData	Invalid	576 dots	0 dot
	58 mm	-	WaitData	Invalid	420 dots	-

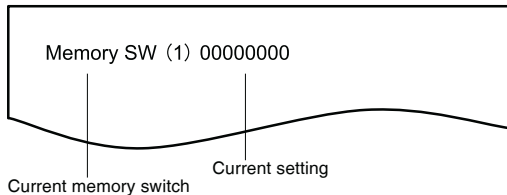
Individual setting mode

Set the memory switches individually.

Do the settings while confirming the memory switch function and settings on the print-out.

1. Load paper.
2. While the paper cover is open, press and hold the FEED button and turn on the power.
3. Press the FEED button twice and close the paper cover.

The printer enters the mode for setting memory switches individually.
 The printer prints “Memory SW (1)” and the current setting, 0 (off) or 1 (on).
 (The current settings for memory switches 7 to 13 are not printed.)



4. Press the FEED button.

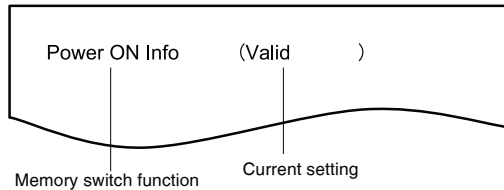
Each press of the FEED button cycles through the list of memory switches in the following sequence: “Memory SW (1)” > “Memory SW (2)” > ...“Memory SW (11)” or “Memory SW (13)” > “Save To Memory” > “Memory SW (1)”.

Press the FEED button until the number for the memory switch you want to change is printed.

5. Press the FEED button for at least two seconds.

A setting for the memory switch is printed, through the cycle, each time the FEED button is pressed for at least two seconds.

Press the FEED button for at least two seconds to cycle through the list until the function of the memory switch you want to change is printed.



6. Press the FEED button.

A setting is printed each time the FEED button is pressed in order through the cycle.

When the current settings are printed, the COVER LED lights.

Press the FEED button until the setting you want is printed.

7. Press the FEED button for at least two seconds.

The selected settings are set.

The next memory switch function and settings are printed.

8. Repeat steps 5 to 7 to change different functions for the current memory switch number.

9. Open the paper cover and close it.

The changed memory switch settings are printed.

10. Repeat steps 4 to 9 to change functions for a different memory switch number.

11. Press the FEED button until "Save To Memory" is printed.

12. Press the FEED button for at least two seconds.

The changed memory switch settings are saved and a list of them is printed.

The printer exits individual setting mode when printing is finished.

Memory switch initialization

Set all the memory switches to the factory settings.

1. Do steps 1 through 3 of the procedure to enter individual setting mode.

2. Press the FEED button until "Save To Memory" is printed.

3. Open the paper cover.

4. Press the FEED button for at least two seconds.

All memory switches change to the factory settings.

5. Close the paper cover.

The function of each memory switch is shown in the following table. (Shaded values are factory settings.)

Switch no.	Function	OFF	ON
MSW1-1	Power ON Info	Valid	Not Send
MSW1-2	Buffer Size	4K bytes	45 bytes
MSW1-3	Busy Condition	Full/Err	Full
MSW1-4	Receive Error	Print"?"	No Print
MSW1-5	CR Mode	Ignored	LF
MSW1-6	Reserved	Fixed	—
MSW1-7	DSR Signal	Invalid	Valid
MSW1-8	INIT Signal	Invalid	Valid
MSW2-1	Reserved	—	Fixed
MSW2-2	Auto Cutter	Invalid	Valid
MSW2-3	Spool Print	Invalid	Valid
MSW2-4	Full Col Print	LineFeed	WaitData
MSW2-5	Resume aft PE	Next	Top
MSW2-6	Reserved	Fixed	—
MSW2-7	Reserved	Fixed	—
MSW2-8	Reserved	Fixed	—
MSW3-1	Resume Ctrr Err	Valid	Invalid
MSW3-2	Reserved	Fixed	—
MSW3-3	Reserved	Fixed	—
MSW3-4	Reserved	Fixed	—
MSW3-5	Reserved	Fixed	—
MSW3-6	Reserved	Fixed	—
MSW3-7	CBM1000 Mode	Invalid	Valid
MSW3-8	Resume Open Err	Close	Command
MSW4-1	Reserved	Fixed	—
MSW4-2	Reserved	Fixed	—
MSW4-3	Feed&Cut at TOF	Invalid	Valid
MSW4-4	Reserved	Fixed	—
MSW4-5	Reserved	Fixed	—
MSW4-6	Reserved	Fixed	—
MSW4-7	Reserved	Fixed	—
MSW4-8	Partial Only	Invalid	Valid
MSW5-1	Buzzer	Valid	Invalid
MSW5-2	Line Pitch	1/360	1/406
MSW5-3	USB Mode	Virtual COM	Printer Class
MSW5-4	Reserved	Fixed	—
MSW5-5	Reserved	Fixed	—
MSW5-6	Reserved	Fixed	—
MSW5-7	Reserved	Fixed	—

Switch no.	Function	OFF	ON
MSW5-8	Reserved	Fixed	—
MSW6-1	Act. For Driver	Invalid	Valid
MSW6-2	Character Space	Invalid	Valid
MSW6-3	USB Power Save	Invalid	Valid
MSW6-4	Reserved	Fixed	—
MSW6-5	Reserved	Fixed	—
MSW6-6	Reserved	Fixed	—
MSW6-7	Reserved	Fixed	—
MSW6-8	Power ON trigger	Power switch ON	AC power input

Switch no.	Function	Initial setting	Setting value
MSW7-1	Baud Rate	9600 bps	1200 bps, 2400 bps, 4800 bps, 9600 bps, 19200 bps, 38400 bps, 57600 bps, 115200 bps
MSW7-2	Data Length	8bits	7bits, 8bits
MSW7-3	Stop Bit	1bit	1bit, 2bits
MSW7-4	Parity	NONE	NONE, ODD, EVEN
MSW7-5	Flow Control	DTR/DSR	DTR/DSR, XON/XOFF
MSW7-6	DMA Control	Valid	Valid, Invalid
MSW7-7	VCom Protocol	PC Setting	PC Setting, DTR/DSR, XON/XOFF
MSW8-1	Print Width	576 dots	576 dots, 546 dots, 512 dots, 436 dots, 432 dots, 420 dots, 390 dots, 384 dots, 360 dots
MSW8-3	Top Margin	12 mm	3 mm, 4 mm, 5 mm, 6 mm, 7 mm, 8 mm, 9 mm, 10 mm, 11 mm, 12 mm
MSW8-4	Line Gap Reduce	Invalid	Invalid, 3/4, 2/3, 1/2, 1/3, 1/4, 1/5, ALL
MSW8-5	Reduced Char V/H	100% / 100%	100% / 100%, 75% / 100%, 50% / 100%, 100% / 75%, 75% / 75%, 50% / 75%
MSW8-6	Auto Side Shift	Invalid	Invalid, 1 dot, 2 dots, 3 dots, 4 dots, 5 dots, 6 dots, 7 dots
MSW9-1	Code Page	PC437	Katakana, PC 437, PC 737, PC 850, PC 852, PC 857, PC 858, PC 860, PC 862, PC 863, PC 864, PC 865, PC 866, WPC1251, WPC1252, WPC1253, WPC1255, WPC1258, Space page, ThaiCode11 1Pass, ThaiCode11 3Pass, ThaiCode18 1Pass, ThaiCode18 3Pass, TCVN-3
MSW9-2	Int'Char Set	U.S.A China*	USA, France, Germany, England, Denmark, Sweden, Italy, Spain, Japan, Norway, Denmark 2, Spain 2, Latin America, Korea, Croatia, China, Vietnam
MSW9-4	Kanji code	Invalid, GB18030 (CHN)*	Disabled, JIS (Japan), SJIS: CP932 (Japan), SJIS: X0213 (Japan), GB18030 (China), KS Hangul (South Korea), EUC Hangul (South Korea), BIG5 (Taiwan)
MSW10-1	Print Density	100 %	70 %, 75 %, 80 %, 85 %, 90 %, 95 %, 100 %, 105 %, 110 %, 115 %, 120 %, 125 %, 130 %, 135 %, 140 %
MSW10-2	Print Speed	Level 9	Level 1, Level 2, Level 3, Level 4, Level 5, Level 6, Level 7, Level 8, Level 9
MSW10-4	Old Command	Invalid	Invalid, CBM1, CBM2
MSW10-5	Buzzer Event	Not By C. Open	All Event/Error, Not by C.Open, Not by C.Open/PE
MSW10-6	Buzzer Sound	Tone 2	Tone 1, Tone 2, Tone 3, Tone 4

* The specifications vary according to destination

CITIZEN SYSTEMS JAPAN CO., LTD.

6-1-12, Tanashi-cho, Nishi-Tokyo-shi Tokyo, 188-8511, Japan

Tel: +81 (0) 42 468 4993 Fax: +81 (0) 42 468 4687

<https://www.citizen-systems.co.jp/printer/>

CT-D101_UM_121_EN

PMC-2210

January 2024