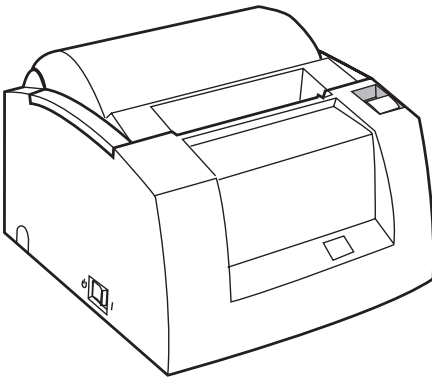


LINE THERMAL PRINTER

MODEL CT-S300

User's Manual
Mode d'emploi
Benutzerhandbuch
Manuale dell'utente
Manual de Usuario



CITIZEN SYSTEMS JAPAN CO., LTD.

WEEE MARK

- En** If you want to dispose this product, do not mix with general household waste. There is a separate collection systems for used electronics products in accordance with legislation under the WEEE Directive (Directive 2002/96/EC) and is effective only within European Union.
- Ge** Wenn Sie dieses Produkt entsorgen wollen, dann tun Sie dies bitte nicht zusammen mit dem Haushaltsmüll. Es gibt im Rahmen der WEEE-Direktive innerhalb der Europäischen Union (Direktive 2002/96/EC) gesetzliche Bestimmungen für separate Sammelsysteme für gebrauchte elektronische Geräte und Produkte.
- Fr** Si vous souhaitez vous débarrasser de cet appareil, ne le mettez pas à la poubelle avec vos ordures ménagères. Il existe un système de récupération distinct pour les vieux appareils électroniques conformément à la législation WEEE sur le recyclage des déchets des équipements électriques et électroniques (Directive 2002/96/EC) qui est uniquement valable dans les pays de l'Union européenne.
Les appareils et les machines électriques et électroniques contiennent souvent des matières dangereuses pour l'homme et l'environnement si vous les utilisez et vous vous en débarrassez de façon inappropriée.
- Sp** Si desea deshacerse de este producto, no lo mezcle con residuos domésticos de carácter general. Existe un sistema de recogida selectiva de aparatos electrónicos usados, según establece la legislación prevista por la Directiva 2002/96/CE sobre residuos de aparatos eléctricos y electrónicos (RAEE), vigente únicamente en la Unión Europea.
- It** Se desiderate gettare via questo prodotto, non mescolatelo ai rifiuti generici di casa. Esiste un sistema di raccolta separato per i prodotti elettronici usati in conformità alla legislazione RAEE (Direttiva 2002/96/CE), valida solo all'interno dell'Unione Europea.
- Du** Deponer dit product niet bij het gewone huishoudelijk afval wanneer u het wilt verwijderen. Er bestaat ingevolge de WEEE-richtlijn (Richtlijn 2002/96/EG) een speciaal wettelijk voorgeschreven verzamelstelsel voor gebruikte elektronische producten, welk alleen geldt binnen de Europese Unie.
- Da** Hvis du vil skille dig af med dette produkt, må du ikke smide det ud sammen med dit almindelige husholdningsaffald. Der findes et separat indsamlingssystem for udtjente elektroniske produkter i overensstemmelse med lovgivningen under WEEE-direktivet (direktiv 2002/96/EC), som kun er gældende i den Europæiske Union.
- Por** Se quiser deitar fora este produto, não o misture com o lixo comum. De acordo com a legislação que decorre da Directiva REEE – Resíduos de Equipamentos Eléctricos e Electrónicos (2002/96/CE), existe um sistema de recolha separado para os equipamentos electrónicos fora de uso, em vigor apenas na União Europeia.
- Pol** Jeżeli zamierzasz pozbyć się tego produktu, nie wyrzucaj go razem ze zwykłymi domowymi odpadkami. Według dyrektywy WEEE (Dyrektywa 2002/96/EC) obowiązującej w Unii Europejskiej dla używanych produktów elektronicznych należy stosować oddzielne sposoby utylizacji.



Declaration of Conformity

This printer conforms to the following Standards:

Low Voltage Directive 73/23/EEC, 93/68/EEC and the EMC Directive 89/336/EEC, 92/31/EEC, 93/68/EEC.

LVD : EN60950

EMC : EN55022 Class A
EN61000-3-2
EN61000-3-3
EN55024

This declaration is applied only for 230V model.

IMPORTANT: This equipment generates, uses, and can radiate radio frequency energy and if not installed and used in accordance with the instruction manual, may cause interference to radio communications. It has been tested and found to comply with the limits for a Class A computing device pursuant to Subpart J of Part 15 of FCC Rules, which are designed to provide reasonable protection against such interference when operated in a commercial environment. Operation of this equipment in a residential area is likely to cause interference, in which case the user at his own expense will be required to take whatever measures may be necessary to correct the interference.

CAUTION: Use shielded cable for this equipment.

Sicherheitshinweis

Die Steckdose zum Anschluß dieses Druckers muß nahe dem Gerät angebracht und leicht zugänglich sein.

For Uses in Canada

This digital apparatus does not exceed the class A limits for radio noise emissions from digital apparatus, as set out in the radio interference regulations of the Canadian department of communications.

Pour L'utilisateurs Canadiens

Cet appareil numérique ne dépasse pas les limites de catégorie A pour les émissions de bruit radio émanant d'appareils numériques, tel que prévu dans les règlements sur l'interférence radio du département Canadien des communications.

ENGLISH

THE TABLE OF CONTENTS

1. GENERAL OUTLINE	8
1.1 Unpacking	8
1.2 Model Classification	8
1.3 Basic Specifications	9
2. EXPLANATION OF PRINTER PARTS	10
2.1 Printer Appearance	10
3. PREPARATION	11
3.1 Connecting the AC Adapter and AC Power Cord	11
3.2 Connecting Interface Cables	12
3.3 Connecting the Cash Drawer	13
3.4 Installing the Printer	14
3.5 Partition for 58-mm Wide Paper Roll	14
3.6 Setting DIP Switch	15
3.7 Adjusting the Paper Near-end Sensor	16
4. MAINTENANCE AND TROUBLESHOOTING	17
4.1 Setting/Replacing Paper Rolls	17
4.2 Removing Jammed Paper	17
4.3 Cleaning the Print Head	18
4.4 When the Paper Cover Cannot Be Opened	18
4.5 Self-printing	19
4.6 Hexadecimal Dump Printing	19
4.7 Error Indication	20
5. OTHER	21
5.1 External Views and Dimensions	21
5.2 Manual Setting of Memory Switch	22
5.3 Printing Paper	24

GENERAL PRECAUTIONS

- Before using this product, be sure to read through this manual. After having read this manual, keep it in a safe, readily accessible place for future reference.
- The information contained herein is subject to change without prior notice.
- Reproduction or transfer of part or all of this document in any means is prohibited without permission from CITIZEN SYSTEMS.
- Note that CITIZEN SYSTEMS is not responsible for any operation results regardless of missing, error, or misprinting in this manual.
- Note that CITIZEN SYSTEMS is not responsible for any trouble caused as a result of using options or consumables that are not specified in this manual.
- Except explained elsewhere in this manual, do not attempt to service, disassemble, or repair this product.
- Note that CITIZEN SYSTEMS is not responsible for any damage attributable to incorrect operation/handling or improper operating environments that are not specified in this manual.
- Data are basically for temporary use, not stored for a long period or permanently. Please note that CITIZEN SYSTEMS is not responsible for damage or lost profit resulting from the loss of data caused by accidents, repairs, tests or other occurrence.
- If you find loss of information, error, or uncertain matter, please contact your CITIZEN SYSTEMS dealer.
- If you find any disordered or missing page(s), contact your CITIZEN SYSTEMS dealer for replacement.

SAFETY PRECAUTIONS ... WHICH SHOULD BE STRICTLY OBSERVED

Before using this product for the first time, carefully read these SAFETY PRECAUTIONS. Incorrect operation may result in unexpected accidents (fire, shock, or injury).

- After having read this Manual, keep it in a safe, readily accessible place for future reference.
- Some of the descriptions contained in this manual may not be relevant to some printer models.

In order to prevent injury hazard to operators, third parties or damage to property, special warning symbols are used in this user's manual to indicate important items to be strictly observed.

The following describes the degree of hazard and damage that could occur if the printer is improperly operated by ignoring the instructions indicated by the warning symbols.

WARNING

Neglecting precautions indicated by this symbol may result in fatal or serious injury.

CAUTION

Neglecting precautions indicated by this symbol may result in injury or damage to properties.



This symbol is used to alert your attention to important items.



This symbol is used to alert you to the danger of electric shock or electrostatic damage.



This symbol denotes a request to unplug the printer from the wall outlet.



This symbol is used to indicate the "information" on the use, or the like.



This symbol is used to indicate prohibited actions.

WARNING

Do not use or store this product in a place where it will be exposed to:

- Flames or moist air
- Direct sunlight
- Hot airflow or radiation from a heating device
- Salty air or corrosive gases
- Ill-ventilated atmosphere
- Chemical reactions in a laboratory
- Airborne oil, steel particles, or dust
- Static electricity or strong magnetic field
- **Neglecting these warnings may result in printer failure, overheating, emission of smoke, fire, or electric shock.**



Do not drop any foreign object nor spill liquid into the printer. Do not place any object on the printer either.

- Do not drop any metallic object such as paper clip, pin or screw into the printer.
- Do not place a flower vase, pot or cup containing water on the printer.
- Do not spill coffee, soft drinks or any other liquid into the printer.
- Do not spray insecticide or any other chemical liquid over the printer.
- **A metallic foreign object, if accidentally dropped into the printer, may cause printer failure, fire, or electric shock. Should it occur, immediately turn the printer off, unplug it from the supply outlet, and call your local CITIZEN SYSTEMS dealer.**



Do not handle the printer in the following ways:

- Do not allow the printer to sustain strong impacts or hard jolts (e.g., trampling, dropping, striking with a hard edge).
- Never attempt to disassemble or modify the printer.
- **Neglecting to handle properly may result in printer failure, overheating, emission of smoke, fire, or electric shock.**



Install, use, or store the printer out of the reach of children.

- **Electric appliances could cause an unexpected injury or accident if they are handled or used improperly.**
- **Keep the power cord and signal cables out of the reach of children. Also children should not be allowed to gain access to any internal part of the printer.**
- **The plastic bag the printer came in must be disposed of properly or kept away from children. Wearing it over the head may lead to suffocation.**



WARNING

Please observe the following precautions for power source and power cord:

- Do not plug or unplug the power cord with a wet hand.
- Use the printer only at the specified supply voltage and frequency.
- Use only the specified AC adapter with the printer.
- Check to make sure that the supply outlet from which the printer is powered has a sufficient capacity.
- Do not supply the printer from a power strip or current tap shared with other appliances.
- Do not plug the power cord into a supply outlet with dust or debris left on its plug.
- Do not use a deformed or damaged power cord.
- Do not move the printer while the printer power is on.
- **Neglecting to handle properly may result in printer failure, emission of smoke, fire, or electric shock.**
- **An overload may cause the power cord to overheat or fire or the circuit breaker to trip.**
- Do not allow anything to rest on the power cord. Do not place the printer where the power cord will be trampled on.
- Do not use or carry the printer with its power cord bent, twisted, or pulled.
- Do not attempt to modify the power cord unnecessarily.
- Do not lay the power cord in the neighbor of a heating device.
- **Neglecting these cautions may cause wires or insulation to break, which could result in leakage, electric shock, or printer failure. If a power cord sustains damage contact your CITIZEN SYSTEMS dealer.**
- Do not leave things around the supply outlet.
- Supply power to the printer from a convenient wall outlet, readily accessible in an emergency.
- **The printer may not be immediately shut down in an emergency.**
- Insert the power plug fully into the outlet.
- If the printer is not to be used for a long time, leave it disconnected from its supply outlet.
- Hold the plug and connector when plugging or unplugging the power cord or signal cable after turning off the printer and the appliance connected to it.



CAUTION

Place the printer on a flat, stable surface without vibration.

- **Otherwise dropping may cause injury.**



Do not use the printer under the following conditions.

- A state where the printer ventilation holes are blocked by a nearby wall or something
- A state where any object is placed on the printer
- A state where the printer is covered or wrapped by a cloth or bed clothing
- **Be careful about internal heat buildup, which could cause fire and deform the case.**
- Avoid using the printer near a radio or TV set or from supplying it from the same outlet as these appliances.
- Avoid using the printer interconnected with a cable or cord that has no protection against noise. (For interconnections, use shielded or a twisted pair of cables and ferrite cores, or other anti-noise devices.)
- Avoid using the printer with a device that is a strong source of noise.
- **The printer may have an adverse effect on nearby radio or TV transmissions. There may also be cases when nearby electrical appliances adversely influence the printer, causing data errors or malfunction.**



Use the printer with its grounding post connected to a convenient grounding facility.

- **If leakage occurs electric shock may result.**



Do not connect the printer's grounding post onto any of the following facilities.

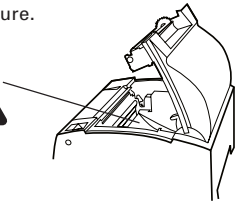
- Utility gas piping
- **A gas explosion could result**
- Telephone line ground
- Lightning rod
- **If lightning strikes a large surge of current may cause fire or shock.**
- Utility water pipes
- **Plastic water pipes should not be used for grounding. (Those approved by a Waterworks Department may be used.)**



Before connecting or disconnecting the grounding lead to or from the printer, always unplug it from supply outlet.

Caution label is attached on the position shown in the following figure.
Carefully read the precautions in handling before using the printer.

THIS LABEL INDICATES THE RISK OF ANY INJURY DUE TO "HIGH TEMPERATURE" OF THE PRINT HEAD.



CAUTION

To prevent possible malfunction or failure observe the following.

- Avoid operating the printer without paper properly loaded.
- Avoid the use of paper not complying with specifications.
- **May result in poor print quality.**
- Avoid using torn pieces of paper or spliced with plastic adhesive tapes.
- Avoid forcibly pulling already loaded paper by hand.
- Avoid wedging the paper in by the paper cover.
- **May jam paper. To release, refer to “Removing Jammed Paper” in this manual.**
- Avoid using a sharp pointed device to operate panel keys.



Be sure to firmly insert the cable plug into its mating socket.

- **A cross connection may damage the printer's internal electronics or the host system's hardware.**

Only use the printer with devices that have designated solenoid specifications for the cash drawer interface connector.

- **Neglecting this caution may result in malfunction or failure.**



To prevent injury and printer failures from worsening, observe the following:

- Do not touch the printing surface of the thermal head.
- Do not touch any of the moving parts (e.g., paper cutter, gears, active electrical parts) while the printer is working.
- In case of trouble do not attempt to repair the printer. Ask CITIZEN SYSTEMS service for repair.
- Be careful that the paper cover does not entrap your hands or fingers.
- Be careful with sharp edges on the printer. Don't allow them to injure you or damage property.
- **May result in electric shock, burn, or injury.**
- **If the printer emits smoke, an odd smell, or unusual noise while printing, immediately abort the current print session and unplug the printer from the supply outlet.**



DAILY MAINTENANCE

Observe the following precautions for daily maintenance.

- When cleaning the printer, always turn it off and unplug it from the supply outlet.
- Use a soft, dry cloth for cleaning the surface of the printer case.
- For severe stains, use a soft cloth slightly dampened with water.
- Never use organic cleaning solvent such as alcohol, paint thinner, trichloroethylene, benzene, or ketone. Never use a chemically processed cleaning cloth.
- To remove paper chips, use a soft brush.
- When transporting the printer, remove the roll paper from its paper holder.



CAUTION

- **The thermal head is at a dangerously high temperature immediately after printing. Allow it to cool off before launching maintenance work.**

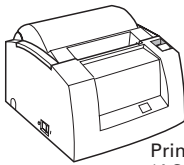
1. GENERAL OUTLINE

The CT-S300 is a thermal line printer designed for use with a broad array of terminal equipment including, data, POS, and kitchen terminals. With extensive features, it can be used in a wide range of applications.

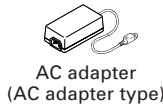
1.1 Unpacking

When unpacking the printer, confirm that the following are provided:

- Printer: 1
- AC adapter (AC adapter type): 1
- AC power cord: 1
- Sample paper roll: 1 roll
- Partition for 58-mm wide paper roll: 1
- User's manual (This manual): 1



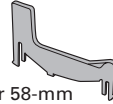
Printer
(AC adapter type)



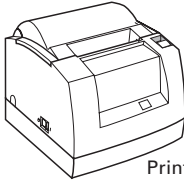
AC adapter
(AC adapter type)



AC power cord



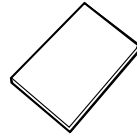
Partition for 58-mm
wide paper roll



Printer
(Built-in power supply type)



Sample paper roll



User's manual
(This manual)

1.2 Model Classification

The printer models are classified by the following designation method:

CT - S300 - R F 230 A

Interface
R: Serial RS-232C compliant
P: Parallel IEEE 1284 compliant
U: USB

Character set
F: International

Black mark sensor for back side
None: No sensor (Standard)
M1: Left black mark sensor
M2: Right black mark sensor

Power supply
A: AC adapter type
S: Built-in power supply type

Power cord specification
100: For AC 100V
120: For AC 120V
230: For AC 230V

1.3 Basic Specifications

Item	Specifications	
Model	CT-S300-RF120 CT-S300-PF120 CT-S300-UF120	CT-S300-RF230 CT-S300-PF230 CT-S300-UF230
Print method	Line thermal dot print method	
Print width	72 mm/576 dots, (48 mm/384 dots) *1	
Dot density	8 × 8 dots/mm (203 dpi)	
Print speed	130 mm/s (Fastest, print density level 0), 1040 dot lines/s	
Number of print columns *2 () shows the value with 58 mm wide paper.	Font A: 48/42 (32/30) columns; 12 × 24 dots Font B: 64/56 (42/40) columns; 9 × 17 dots Font C: 72/63 (48/45) columns; 8 × 16 dots	
Character size	Font A: 1.50 × 3.00 mm Font B: 1.13 × 2.13 mm Font C: 1.00 × 2.00 mm	
Character type	Alphanumeric, International, PC437/850/852/857/858/860/863/ 864/865/866/WPC1252/Katakana/Thai code 18	
User memory	256 KB (Capable of registering user-defined characters and logos)	
Types of bar code	UPC-A/E, JAN (EAN) 13/8 columns, ITF, CODE 39, CODE 128, CODABAR, CODE 93	
Line spacing	4.23 mm (1/6 inch)	
Paper roll	Thermal paper roll: 80 ⁺⁰ ₋₁ mm/58 ⁺⁰ ₋₁ mm × φ83 mm Paper thickness: 65-75 μm	
Interfacing	Serial (RS-232C compliant), Parallel (IEEE 1284 compliant), USB	
Cash drawer interface	2 cash drawers are supported.	
Input buffer	4k bytes/45 bytes	
Supply voltage	DC 24 V ±7%	
Power consumption	Approx. 70 W (in normal printing)	
AC adapter	Rated input: AC 100 to 240 V, 50/60 Hz, 150 VA Rated output: DC 24 V, 2A	
	35AD-U	35AD-E
Weight	Approx. 1.2 kg	
Outside dimensions	145 (W) × 195 (D) × 121 (H) mm (AC Adapter Type) 145 (W) × 195 (D) × 159 (H) mm (Built-in Power Supply Type)	
Operating temperature and humidity	5 to 40°C, 35 to 85% RH (No condensation)	
Storage temperature and humidity	-20 to 60°C, 10 to 90% RH (No condensation)	
Reliability	Print head life: 100 km, 1 × 10 ⁸ pulses (At normal temperature/ humidity with recommended paper used) Auto cutter life: 1 million cuts (At normal temperature/ humidity with recommended paper used)	
Safety standard *3	UL, C-UL, FCC Class A	TUV, GS, CE marking

Notes:

*1: Value in parentheses shows the case when a 58-mm wide paper roll is used.

*2: The number of printable columns is selectable with a DIP switch.

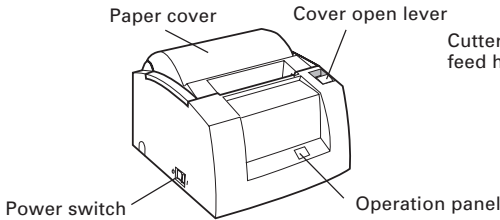
*3: Represents the safety standards acquired when CITIZEN SYSTEMS-made adapters (35AD series) are used.

2. EXPLANATION OF PRINTER PARTS

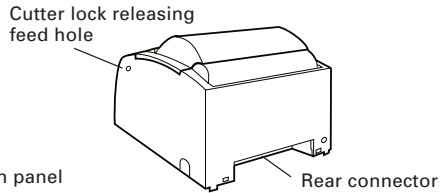
2.1 Printer Appearance

AC Adapter Type

(Front view)

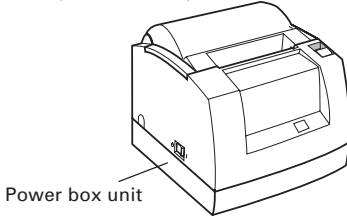


(Rear view)

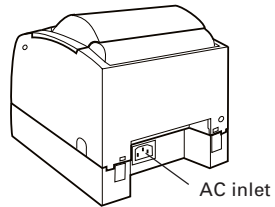


Built-in Power Supply Type

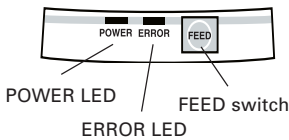
(Front view)



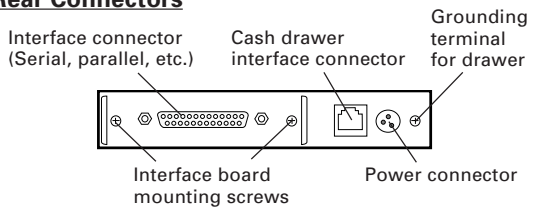
(Rear view)



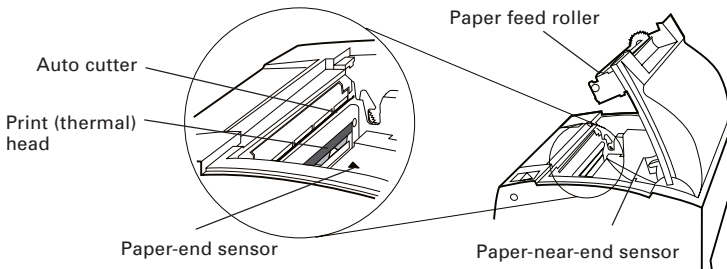
Operation Panel



Rear Connectors



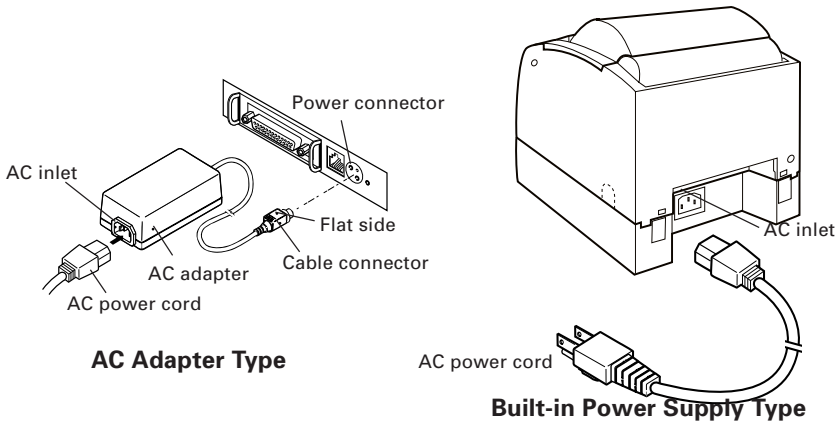
Paper Cover Inside



3. PREPARATION

3.1 Connecting the AC Adapter and AC Power Cord

1. Turn off the printer power.
2. For the AC adapter type only: With the flat side of the AC adapter's cable connector facing upward, insert the cable connector into the power connector on the back side of the printer.
3. Connect the AC power cord to the inlet of the printer, and insert the AC power-cord plug into a suitable wall outlet.



CAUTION!

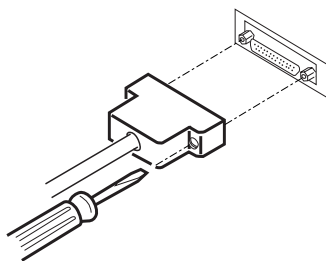
- Use only the specified AC adapter with the printer.
- When disconnecting a cable, do not pull out by the cable. Always hold the plug.
- Always keep the AC power supply away from other noise generating equipment.
- Do not pull the power cord. Otherwise fire, electric shock, or power disconnection may result.
- If lightning is approaching, unplug the AC power cord from the wall outlet. Otherwise fire or electric shock may result.
- Keep the power cord away from heat generating appliances. Otherwise the shield of power cord may be fused resulting in a fire or electric shock.
- If the printer is not to be used for a long time, leave it disconnected from its supply outlet.

3.2 Connecting Interface Cables

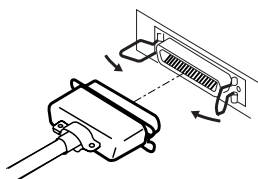
Turn off the printer power and unplug the power connector. Then follow the procedure for interface cable connection.

Orient the interface cable terminal correctly and insert it into the interface connector.

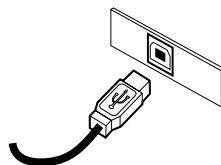
In case of a built-in power supply type, remove the power box unit before connection.



Serial Interface



Parallel Interface



USB Interface

CAUTION!

When disconnecting the cable, always hold the connector.

For serial interface cable, use the one with the following connection.

25-pin - 25-pin cable

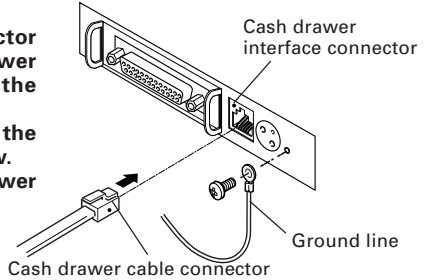
PC		Printer	
Signal	Pin	Pin	Signal
FG	1	1	FG
TXD	2	2	TXD
RXD	3	3	RXD
CTS	5	4	RTS
DSR	6	6	DSR
SG	7	7	SG
DTR	20	20	DTR

9-pin - 25-pin cable

PC		Printer	
Signal	Pin	Pin	Signal
RXD	2	2	TXD
TXD	3	3	RXD
DTR	4	4	RTS
SG	5	6	DSR
DSR	6	7	SG
CTS	8	20	DTR

3.3 Connecting the Cash Drawer

1. Turn off the printer power.
2. Orient the cash drawer cable connector correctly, insert it into the cash drawer interface connector on the back of the printer.
3. Connect the drawer's ground line to the printer's ground terminal with a screw. For built-in power type, remove the power box unit before connection.



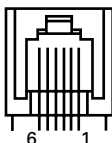
CAUTION!

Do not connect any other device than the specified cash drawer to the cash drawer interface connector. (Do not connect a telephone line either.)

In case of a built-in power supply type, remove the power box unit before connection.

(1) Connector Pin Configuration

No.	Signal	Function
1	FG	Frame Ground
2	DRAWER 1	Drawer 1 drive signal
3	DRSW	Drawer switch input
4	VDR	Drawer drive power supply
5	DRAWER 2	Drawer 2 drive signal
6	GND	Common ground on circuits



The diagram shows a 6-pin connector with pins numbered 1 through 6 from right to left. Pin 1 is the rightmost, and pin 6 is the leftmost.

Connector used:
TM5RJ3-66 (Hirose)
or equivalent
Applicable connector:
TM3P-66P (Hirose) or
equivalent

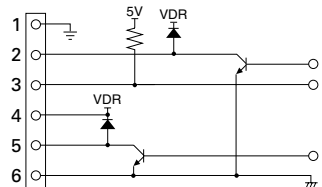
(2) Electrical characteristics

- 1) Driving voltage: 24 VDC
- 2) Driving current: Approx. 1A max. (shall not exceed 510 ms.)
- 3) DRSW signal: Signal levels: "L" = 0 to 0.5 V, "H" = 3 to 5 V

(3) DRSW signal

DRSW signal status can be tested with the DLE+EOT, GS+a, or GS+r command or at pin 34 on the parallel interface port.

(4) Drive Circuit (printer side)



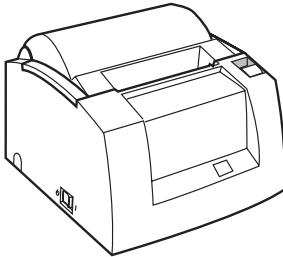
CAUTION!

- No output is produced while printing.
- The cash drawers 1 and 2 cannot be driven simultaneously.
- A solenoid used for the cash drawer should be of 24 Ω or more. The output current should be kept at 1A or less; otherwise, breakdown or burning could occur.

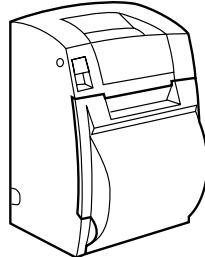
3.4 Installing the Printer

The printer can be installed horizontally, vertically, and on the wall. At the time of shipment, the printer is set for horizontal installation. To install the printer vertically or on the wall, the following adjustments are required.

1. Adjustment of paper near-end sensor position (See section 3.7)
2. Anti-slip rubber feet (for vertical setting)
3. Optional wall-mounting kit (for wall-mounting)
4. Optional right-angle AC cable (when installing the printer with built-in power supply vertically)



Horizontal position



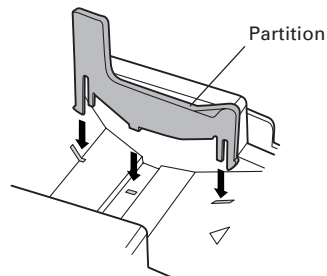
Vertical position

CAUTION!

- When used in vertical position, the printer ejects paper not to fall naturally even with full cutting. Be careful in using the printer built in equipment, etc.
- When using in horizontal setting, avoid cutting full. Otherwise, the cut paper may drop into the cutter and may result in double cutting and narrow pieces of paper. This may cause paper jam.

3.5 Partition for 58-mm Wide Paper Roll

1. Turn off the printer power.
2. Open the paper cover.
3. Attach the "Partition" supplied with the printer to the position shown in the figure.
4. Referring to the section of memory switch setting change the paper width setting to 58 mm.



CAUTION!

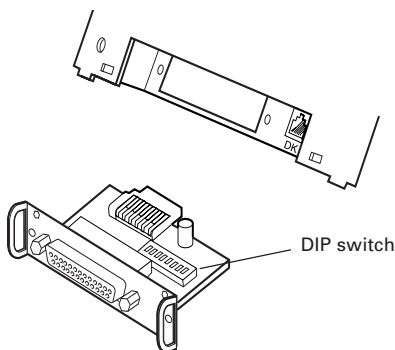
When using the 58-mm wide paper always use the printer with 58 mm paper only.

3.6 Setting DIP Switch

The DIP switch is present on the serial interface.

Remove the board fixing screws, take out the interface board, and then set the DIP switch.

The function of each switch is as shown below.



Switch No.	Function	ON	OFF	Initial Settings
1	Communication condition setting method	DIP switch setting	Memory switch setting	ON
2	Hand shake	XON/XOFF	DTR/DSR	OFF
3	Bit length	7 bits	8 bits	OFF
4	Parity check	With parity	None	OFF
5	Parity selection	Even parity	Odd parity	OFF
6	Baud rate selection	See Table below.		ON
7				ON
8	INIT	Reset	Invalid	OFF

Selecting baud rate

Baud Rate (bps)	Switch No.	
	6	7
2400	OFF	OFF
4800	ON	OFF
9600	OFF	ON
19200	ON	ON

38400 bps can also be selected by a command, etc.

3.7 Adjusting the Paper Near-end Sensor

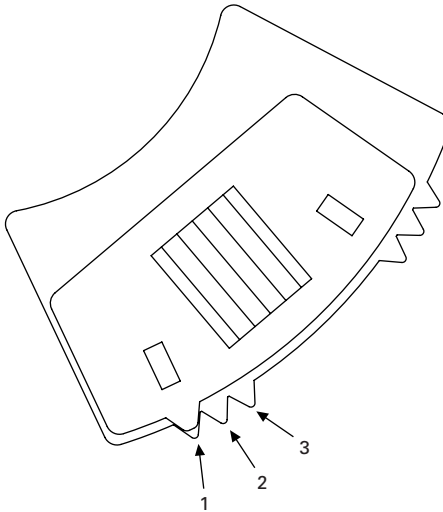
1. Push in the paper near-end sensor unit.
2. Move the paper near-end sensor unit to the right and left while pushing it. The position to be set varies in accordance with the setting of the printer, horizontal or vertical, or the diameter of the paper roll as shown in the following figure.

Sensor Position	Installation Method	Paper Roll External Diameter (mm)
1	Horizontal	$\phi 22$
2		$\phi 24$
3		$\phi 27$
3	Vertical (Wall-mounted)	$\phi 22$
2		$\phi 24$
1		$\phi 27$



CAUTION!

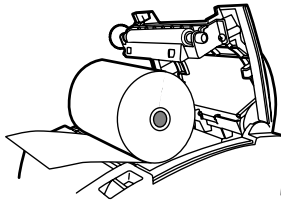
- Paper remainder (outside diameter of roll) differs by the type of paper roll used.
- The external diameter of the paper roll is only for reference.
- Recommended outer diameter of paper roll core is $\phi 18$. If, however, using a paper roll with a diameter of $\phi 22$ is unavoidable, adjustments to "1" for horizontal positioning and "3" for vertical positioning cannot be used.



4. MAINTENANCE AND TROUBLESHOOTING

4.1 Setting/Replacing Paper Rolls

1. Pull the cover open lever fully toward you.
2. Open the paper cover.
3. Insert a paper roll with its print area facing down as shown in the figure and pull out the paper end straightforward by several cm out of the printer.
4. Close the paper cover until a click can be heard.



CAUTION!

- Always use the specified types of paper roll.
- Confirm that the paper roll is set correctly.
- When the paper is skewed and not extended straightforward from under the cover, open the cover and adjust the paper correctly.
- When closing the cover, press on the center part of the cover to close it firmly.

WARNING

When opening the paper cover, take care not to touch the print head or cutter blade. Otherwise, burning or injury of hand may result.

4.2 Removing Jammed Paper

1. Turn the printer power off.
2. Open the paper cover.
If the cutter blade remains protruded with paper jammed, do not open the paper cover forcibly. Referring to section 4.4, restore the blade to the normal position and then open the cover.
3. Remove the jammed paper including any paper chips remaining. (Also take out the paper roll from the holder.)
4. Turn on the printer. The auto cutter mechanism is initialized and the alarm is cleared.

CAUTION!

The print head is hot immediately after printing. Do not touch it with your hand. Do not touch the heating element of the head with a bare hand or metal object either.

4.3 Cleaning the Print Head

1. Turn the printer power off.
2. Open the paper cover.
3. Wait several minutes. Wipe off any debris on the heating element of the head using a cotton swab soaked in ethyl alcohol.

CAUTION!

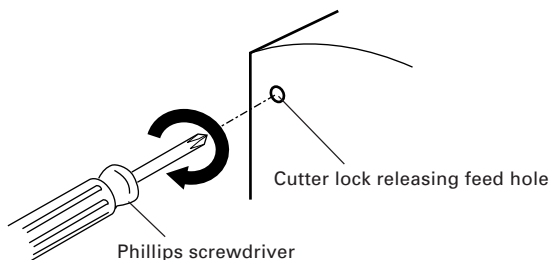
The print head is hot immediately after printing. Do not touch it with your hand. Do not touch the heating element of the head with a bare hand or metal object either.

4.4 When the Paper Cover Cannot Be Opened

If the cutter blade remains protruded due to paper jam or for any abnormality, opening the paper cover may be disabled.

In this case, do not open the paper cover forcibly. Insert a Phillips screwdriver into the cutter lock releasing feed hole and turn it in the direction of arrow (clockwise).

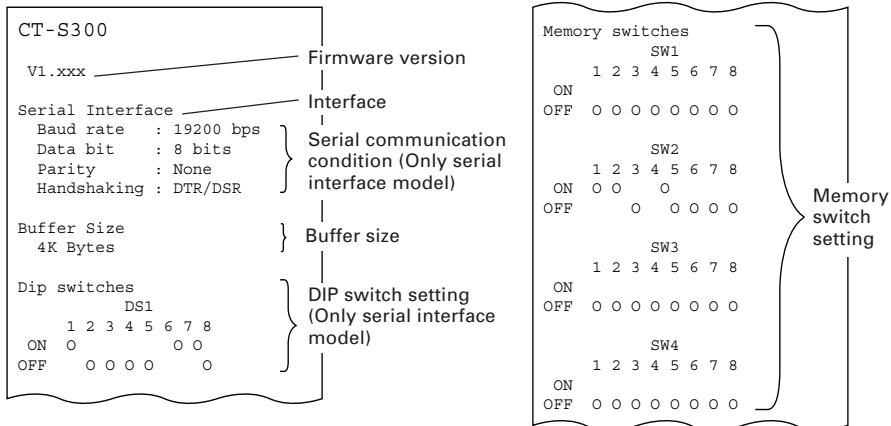
Use a #1 screwdriver.



When you find that both ends of the blade reached the lowest position, stop turning the screwdriver. Open the cover and follow the procedure of removing jam or other cause of trouble.

4.5 Self-printing

Insert paper into the printer. With the FEED switch pressed and held, turn the printer power on, keep the FEED switch held for about 1 second, and then release the FEED switch. The printer starts self-printing. The printer prints model name, version, DIP switch setting, memory switch setting, and built-in fonts.



4.6 Hexadecimal Dump Printing

This function is to print all received data in hexadecimal numbers. If problems such as missing data, data duplication, etc. should occur, this function allows checking whether or not the printer is receiving data correctly.

Set paper to the printer and keep the paper cover open. With the FEED switch pressed and held, turn the printer power on and then close the paper cover. The printer prints "HEX dump print mode" followed by the received data printed in hexadecimal numbers and some characters.



CAUTION!

- The printer prints "." if there is no characters corresponding to data.
- During hexadecimal dump, functions except some command will be disabled.
- If print data does not cover a line, press the FEED switch to print the line.

When you press the FEED switch three times consecutively, or you turn the printer power off, or the printer receives a reset signal from the interface, the hexadecimal dump printing is terminated.









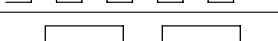

Print example

```
HEX DUMP PRINT MODE
1B 21 00 1B 20 04 41 42 43 44  !... .ABCD
45 46 47 48 49 4A 4B 4C 4D 4E  EFGHIJKLMN
4F 50 0D 0A 31 32 33 0D 0A    OP..123..
```


4.7 Error Indication

- Paper end
Paper empty is detected in two steps: paper near-end and paper end. It causes the ERROR lamp to light. If paper end is detected, refill the paper. If the paper cover is open, a paper-end is detected.
- Paper cover open
During printing, do not open the paper cover. If you open the paper cover accidentally, the ERROR lamp blinks. Confirm the paper and close the over. Printing resumes automatically.
- Thermal head overheating
When you print dense characters or dark image, the head temperature rises. If the head temperature exceeds a specified level, the printer stops printing operation and waits till the head temperature is lowered. During waiting, the ERROR lamp blinks. When the head temperature is lowered, printing resumes automatically.
- Cutter lock
If the cutter blade stops operating due to paper jam or the like, the ERROR lamp blinks. Remove the cause of the trouble and press the FEED switch. If the blade does not move and the cover does not open yet even in the above procedure, follow the procedure in section 4.4 to open the paper cover.
- Black Mark detection error (in Black Mark mode)
When no Black Mark can be detected even if a certain amount of paper feed is carried out for Black mark detection, a Black Mark detection error occurs. If black detection continues more than the specified period, a No Paper condition is assumed and the same error as No Paper is indicated.

Lighting and blinking status of each error including the above is shown below.

Status	POWER Lamp	ERROR Lamp	Buzzer
Paper-end	Lights	Lights	○
Paper near-end	Lights	Lights	
Cover open error	Lights	Light	○
Cover open error *1	Lightss		○
Cutter lock error	Lights		○
Head overheating error	Lights		
Memory check error		Lights	
Low voltage error	Lights		
High voltage error	Lights		
Sum check error			
Macro execution wait *2	Lights		
Black Mark detection error	Lights		○

*1: When the printer is printing.

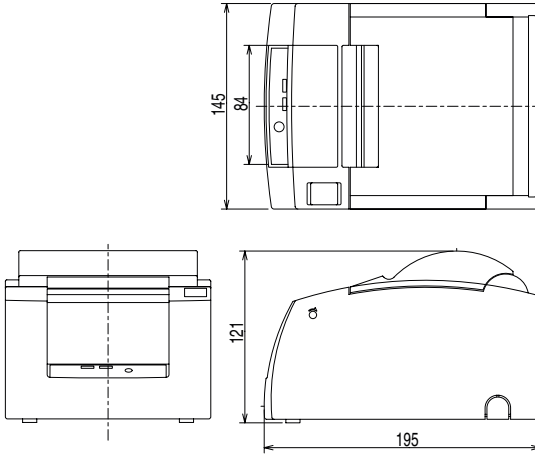
*2: The ERROR lamp may blink even in the execution of macro function.

5. OTHER

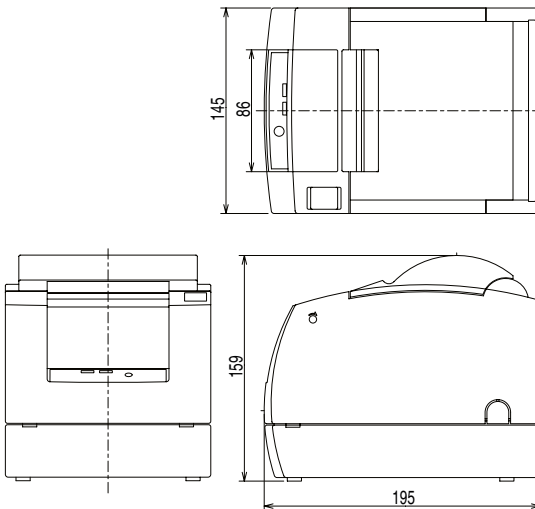
5.1 External Views and Dimensions

(Unit: millimeter)

AC Adapter Type



Built-in Power Supply Type



5.2 Manual Setting of Memory Switch

Memory switches can be set manually or by a command.

For manual setting, refer to the next page.

The function of each memory switch is shown in the following table. (The **white-on-black characters** are factory setting.)

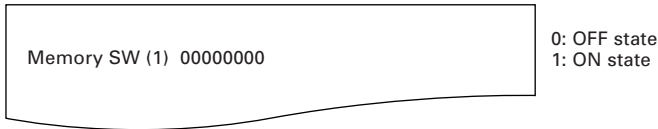
Switch No.	Setting	0 (OFF)	1 (ON)
Memory SW1-1	Power ON Info	Send	Not send
Memory SW1-2	Buffer Size	4k bytes	45 bytes
Memory SW1-3	Busy Condition	Full/Err	Full
Memory SW1-4	Receive Error	Print "?"	No Print
Memory SW1-5	CR mode	Ignored	LF
Memory SW1-6	Reserved	Fixed	-
Memory SW1-7	DSR Signal	Invalid	Valid
Memory SW1-8	Init Signal	Invalid	Valid
Memory SW2-1	Reserved	-	Fixed
Memory SW2-2	Auto Cutter	Invalid	Valid
Memory SW2-3	Spool Print	Invalid	Valid
Memory SW2-4	Full Col Print	CBM1000	EPSON
Memory SW2-5	Resume aft PE	Next	Top
Memory SW2-6	Paper width	80 mm	58 mm
Memory SW2-7	Reserved	Fixed	-
Memory SW2-8	NPE Sensor	Valid	Invalid
Memory SW3-1	Resum Ctrr Err	Feed S/W	Command
Memory SW3-2	Resum Open Err	Close	Command
Memory SW3-3	Parallel 31 Pin	Valid	Invalid
Memory SW3-4	Paper Select	Thermal	Black MK
Memory SW3-5	Column Number	48/32 col	42/30 col
Memory SW3-6	No use	Fixed	-
Memory SW3-7	CBM1000 Mode	Invalid	Valid
Memory SW3-8	Open w/Printing	Auto	Manual
Memory SW4-1	Auto Length	Invalid	Valid
Memory SW4-2	BM Sensor	Surface	Back
Memory SW4-3	No use	OFF	Fixed
Memory SW4-4	No use	OFF	Fixed
Memory SW4-5	No use	OFF	Fixed
Memory SW4-6	No use	OFF	Fixed
Memory SW4-7	No use	OFF	Fixed
Memory SW4-8	Full Cut Cmd	Full Cut	Partial

Manual Setting of Memory Switch (Memory SW)

The memory switch can be selected, changed, or written by the combination of three actions: pressing the FEED switch, pressing and holding the FEED switch, and opening or closing the paper cover.

1. Entering memory switch setting mode.

Set paper to the printer and keep the printer cover open. With the FEED switch pressed and held, turn the printer power on, and then press the FEED switch twice. Close the cover. If the current settings of the memory switch etc. are printed, the printer is now in the memory switch setting mode.

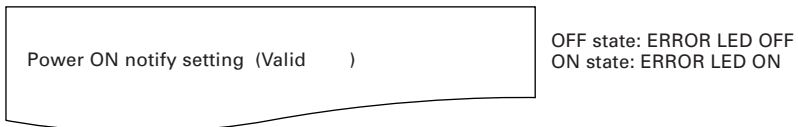


2. Selecting memory switch

When the FEED switch is pressed short (within 2 seconds), printing occurs in the order of "Memory SW1" → "Memory SW2" → "Memory SW3" → "Memory SW4" → "Write/Factory Setting" → "Memory SW1" → repeatedly. When the memory switch you want to change is reached, press and hold the FEED switch (for more than 2 seconds).

3. Selecting each switch item

There are eight setting items for each switch. Press and hold the FEED switch for long, the printer goes to the next item and prints the current setting of the item. Repeat pressing and holding till the item you want to change setting is reached.



4. Changing the setting

When the item you want to change is reached, press the FEED switch short. The changed set value is printed. (To return to the previous setting press the FEED switch short). When you press the FEED switch long, the set value is accepted and then the printer goes to the next setting item.

5. Returning to the memory switch select mode

When the setting of the desired content is completed, open the paper cover and then close the paper cover. This allows the printer to print the setting of the changed memory switch.

6. Saving the setting and exiting the memory switch setting mode

Press the FEED switch short to move to “Write/Factory Setting”. Then press and hold the FEED switch. The printer prints the content of new setting and exits the memory switch setting mode to return to the normal standby state.

* Unless saving the setting is executed, the changed setting cannot be enabled.

7. Initializing the memory switch

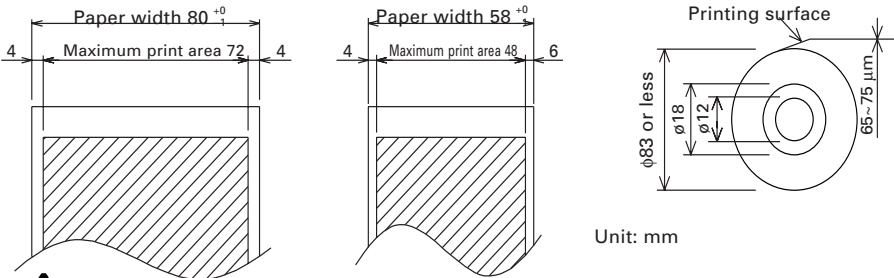
When you want to return the memory switch setting to the initial state, go to “Write/Factory Setting” in the above procedure. Here, open the paper cover and press and hold the FEED switch till buzzer sounds. This allows the printer to return to the initial state.

* All the memory switches settings are returned to the factory set values.

5.3 Printing Paper

Use the print paper shown in the following table or the paper with equivalent quality.

Paper Type	Product Name
Recommended thermal paper roll	TF50KS-E2D from Nippon Paper KF50-HAD, PD150R, PD160R from Ohji Paper F220VP, HP220A, F230AA from Mitsubishi Paper



CAUTION!

Use the paper with the start of winding to roll core is as shown below.

- No fold line is present and paper is along the inner diameter.
- No turnup is present.
- No pasting to core is present.
- Outer winding (print side out) is used.

FRANÇAIS

TABLE DES MATIÈRES

1. PRÉSENTATION GÉNÉRALE	8
1.1 Déballage	8
1.2 Classification des modèles	8
1.3 Spécifications de base	9
2. EXPLICATION DES COMPOSANTS DE L'IMPRIMANTE	10
2.1 Apparence extérieure de l'imprimante	10
3. PRÉPARATION	11
3.1 Branchement de l'adaptateur secteur et du cordon d'alimentation	11
3.2 Branchement des câbles d'interface	12
3.3 Branchement du tiroir-caisse	13
3.4 Installation de l'imprimante	14
3.5 Adaptateur pour le rouleau de papier de 58 mm de largeur	14
3.6 Réglage du contact DIP	15
3.7 Réglage du capteur de fin du papier proche	16
4. ENTRETIEN ET DÉPANNAGE	17
4.1 Mise en place/Remplacement des rouleaux de papier	17
4.2 Retrait du papier coincé	17
4.3 Nettoyage de la tête d'impression	18
4.4 Quand le capot de papier ne peut pas être ouvert	18
4.5 Auto test	19
4.6 Vidage hexadécimal	19
4.7 Indication des erreurs	20
5. DIVERS	21
5.1 Vues et dimensions externes	21
5.2 Réglage manuel du commutateur de mémoire	22
5.3 Papier d'impression	24

PRÉCAUTIONS GÉNÉRALES

- Après l'avoir lu, le conserver dans un emplacement sûr, aisément accessible pour une future référence.
- Les informations contenues dans ce manuel sont sujettes à des changements sans préavis.
- La reproduction ou le transfert d'une partie ou de tout ce document par n'importe quel moyen est interdite sans l'autorisation de CITIZEN SYSTEMS.
- Prière de prendre note que CITIZEN SYSTEMS n'est pas responsable de tout résultat de fonctionnement indépendamment de manque, d'erreur ou de défaut d'impression de ce manuel.
- CITIZEN SYSTEMS n'est pas responsable d'aucun problème causé par l'utilisation des options ou produits consommables qui ne sont pas indiqués dans ce manuel.
- Sauf en cas de spécification contraire dans ce manuel, ne pas essayer d'entretenir, démonter ou réparer cet appareil.
- Noter que CITIZEN SYSTEMS n'est pas responsable d'aucun dommage attribuable à une opération/manipulation incorrecte ou à un environnement inexact d'opération qui ne sont pas indiqués dedans ce manuel.
- Les données sont prévues fondamentalement pour un usage provisoire, et ne sont pas stockées pendant une longue période ou de manière permanente. Veuillez noter que CITIZEN SYSTEMS n'est pas responsable des dommages ou de toute manque de bénéfice résultant de la perte de données provoquées par des accidents, réparations, essais ou toute autre occurrence.
- Si vous observez une perte d'informations, des erreurs ou des faits douteux, veuillez contacter votre fournisseur CITIZEN SYSTEMS.
- Si vous trouvez n'importe quelle page désordonnée ou manquante, veuillez contacter votre fournisseur CITIZEN SYSTEMS pour effectuer le remplacement.

PRÉCAUTIONS DE SÉCURITÉ ... QUI DEVRAIENT ÊTRE OBSERVÉES RIGOREUSEMENT

Veillez lire attentivement ces PRÉCAUTIONS DE SÉCURITÉ avant d'utiliser l'appareil pour la première fois. Un fonctionnement incorrect risque de provoquer des accidents imprévus (incendie, chocs, ou blessures).

- Après avoir lu ce mode d'emploi, conservez-le dans un endroit sûr et facilement accessible pour référence ultérieure.
- Certaines des descriptions contenues dans ce mode d'emploi peuvent ne pas s'appliquer à certains modèles d'imprimantes.

Des symboles d'avertissement sont utilisés dans ce mode d'emploi pour indiquer les précautions à observer rigoureusement afin d'éviter de mettre en danger les opérateurs ou des tiers ou d'endommager les biens matériels.

Ce qui suit indique le degré de danger et de dommage encouru si l'imprimante n'est pas utilisée correctement, sans tenir compte des instructions indiquées par les symboles d'avertissement.

AVERTISSEMENT

Le non-respect des précautions indiquées par ce symbole peut provoquer des blessures mortelles ou graves.

ATTENTION

Le non-respect des précautions indiquées par ce symbole peut provoquer des blessures ou des dommages matériels.



Ce symbole sert à attirer votre attention sur des points importants.



Ce symbole sert à vous avertir d'un risque d'électrocution ou de dommage électrostatique.



Ce symbole indique la nécessité de débrancher l'imprimante de la prise murale.



Ce symbole est utilisé pour indiquer les "informations" sur l'usage ou autres faits semblables.



Ce symbole sert à indiquer des actions interdites.

AVERTISSEMENT

N'utilisez pas et ne rangez pas cet appareil dans un endroit où il sera exposé à :

- des flammes ou de l'air humide
- la lumière directe du soleil
- de l'air chaud ou aux radiations d'un appareil de chauffage
- de l'air salin ou des gaz corrosifs
- une atmosphère mal ventilée
- des réactions chimiques en laboratoire
- de l'huile, des particules d'acier ou de la poussière contenue dans l'air
- de l'électricité statique ou des champs magnétiques puissants
- **Le non-respect de ces avertissements risque de provoquer des pannes de l'imprimante, une surchauffe, des émissions de fumée, un incendie ou une électrocution.**



Ne laissez pas pénétrer des objets étrangers et ne renversez pas de liquide dans l'imprimante. Ne placez pas non plus d'objet sur l'imprimante.

- Ne laissez pas des objets métalliques comme des trombones, des épingles ou des vis pénétrer dans l'imprimante.
- Ne placez pas un vase ou un pot de fleurs, ou un verre contenant de l'eau sur l'imprimante.
- Ne renversez pas de café, de boissons fraîches ou tout autre liquide dans l'imprimante.
- Ne vaporisez pas d'insecticide ou tout autre produit chimique liquide sur l'imprimante.
- **Un objet métallique tombé accidentellement dans l'imprimante risque de provoquer une panne, un incendie ou une électrocution. Dans ce cas, mettez immédiatement l'imprimante hors tension, débranchez-la de la prise d'alimentation et faites appel à votre revendeur local CITIZEN SYSTEMS.**



Ne manipulez pas l'imprimante de la manière suivante:

- Ne soumettez pas l'imprimante à des vibrations ou des chocs violents (par ex. piétinement, chute ou coups avec un objet dur).
- Ne tentez pas de démonter ou de modifier l'imprimante.
- **Le non-respect des procédures correctes risque de provoquer une panne de l'imprimante, une surchauffe, une émission de fumée, un incendie ou une électrocution.**



Installez, utilisez et rangez l'imprimante hors de la portée des enfants.

- **Les appareils électriques risquent de provoquer des blessures ou des accidents inattendus s'ils sont manipulés ou utilisés de manière incorrecte.**
- **Laissez le cordon d'alimentation et les câbles de signaux hors de la portée des enfants. Les enfants doivent également être interdits d'accès aux pièces internes de l'imprimante.**
- **Le sac en plastique dans lequel l'imprimante est emballée doit être mis au rebut correctement et conservé hors de la portée des enfants. Une suffocation peut se produire si le sac est mis sur la tête.**



AVERTISSEMENT

Observez les précautions suivantes pour l'alimentation électrique et le cordon d'alimentation:

- Ne branchez pas et ne débranchez pas le cordon d'alimentation avec les mains mouillées.
- Utilisez l'imprimante uniquement avec la tension d'alimentation et la fréquence spécifiées.
- Utilisez uniquement l'adaptateur secteur spécifié avec l'imprimante.
- Vérifiez si la prise sur laquelle l'imprimante est alimentée a une capacité suffisante.
- N'alimentez pas l'imprimante à partir d'un circuit d'alimentation ou d'une prise de courant servant déjà à d'autres appareils.
- Ne branchez pas le cordon d'alimentation dans une prise comportant de la poussière ou des débris.
- N'utilisez pas un cordon déformé ou endommagé.
- Ne déplacez pas l'imprimante tandis que le courant de l'imprimante circule.
- **Le non-respect des procédures correctes risque de provoquer une panne de l'imprimante, une émission de fumée, un incendie ou une électrocution.**
- **Une surcharge risque de provoquer une surchauffe du câble d'alimentation ou de déclencher le disjoncteur.**
- Ne posez pas d'objet sur le cordon d'alimentation. Ne placez pas l'imprimante dans un endroit où le cordon risque d'être piétiné.
- N'utilisez pas et ne transportez pas l'imprimante avec le cordon d'alimentation plié, tordu ou tiré.
- Ne tentez pas de modifier inutilement le cordon d'alimentation.
- Ne placez pas le cordon d'alimentation à proximité d'un appareil de chauffage.
- **Le non-respect de ces précautions risque de provoquer la rupture des fils ou de l'isolation et de causer des fuites, une électrocution ou une panne de l'imprimante. Contactez votre revendeur CITIZEN SYSTEMS si le cordon d'alimentation est endommagé.**
- Ne laissez pas d'objets autour de l'imprimante afin qu'elle soit toujours facile d'accès.
- Alimentez l'imprimante à partir d'une prise murale pratique et facilement accessible en cas d'urgence.
- **L'imprimante peut ne pas être mise à l'arrêt immédiatement en cas d'urgence.**
- Introduisez à fond la fiche d'alimentation dans la prise.
- Si l'imprimante n'est pas utilisée pendant une période prolongée, débranchez-la de la prise d'alimentation.
- Tenez la prise et le connecteur quand vous effectuez le branchement ou le débranchement du cordon du secteur ou du câble de signal après avoir désactivé l'imprimante et l'appareil qui est connecté à elle.



ATTENTION

Placer l'imprimante sur une surface plate et stable sans vibration.

- **Autrement sa chute risque de causer des dommages.**



Ne pas utiliser l'imprimante dans les conditions suivantes.

- Une condition dans laquelle les orifices de ventilation de l'imprimante sont bloqués par un mur ou quelque objet.
- Une condition dans laquelle un objet quelconque est placé sur l'imprimante.
- Une condition dans laquelle l'imprimante est couverte ou enveloppée par un tissu ou un drap de lit.
- **Faire attention à l'accumulation interne de la chaleur, qui pourrait causer un incendie et déformer le coffret.**
- Éviter d'utiliser l'imprimante près d'une radio ou d'un téléviseur ou de l'alimenter à partir de la même prise que ces appareils.
- Éviter d'utiliser l'imprimante connectée ensemble avec un câble ou une corde qui ne présente aucune protection contre les parasites. (Pour les interconnexions, utilisez des câbles armés ou torsadés et des noyaux en ferrite, ou d'autres dispositifs anti-parasites).
- Éviter d'utiliser l'imprimante avec un appareil produisant une source de bruit puissante.
- **L'imprimante peut avoir un effet négatif sur les transmissions radio ou télévisées. Dans certains cas également, les appareils électriques proches peuvent influencer l'imprimante et causer des erreurs de données ou des pannes.**



Utiliser l'imprimante avec sa fiche de terre connectée à une installation de mise à la terre commune.

- **Des électrocutions risquent de se produire en cas de fuites.**



Ne pas connecter la fiche de terre de l'imprimante sur l'une des installations suivantes:

- Canalisation de gaz
- **Une explosion de gaz peut se produire.**
- Terre d'une ligne téléphonique
- Paratonnerre

En cas de foudre, une surtension de courant importante peut provoquer un incendie ou des chocs électriques.

- Canalisation d'eau

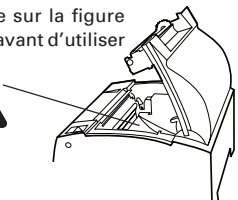
Les tuyaux d'eau en plastique ne doivent pas être utilisés pour la mise à la terre. (Ceux approuvés par le Département des Eaux peuvent être utilisés.)



Avant de brancher ou de débrancher le fil de terre de l'imprimante, débrancher tout d'abord de la prise d'alimentation.

L'étiquette d'avertissement est attachée sur la position représentée sur la figure suivante. Lisez soigneusement les précautions pour la manipulation avant d'utiliser l'imprimante.

CETTE ÉTIQUETTE INDIQUE LE RISQUE DE TOUS DOMMAGES DUS À LA "TEMPÉRATURE ÉLEVÉE" DE LA TÊTE D'IMPRESSION.



ATTENTION

Pour éviter les problèmes de fonctionnement ou les pannes éventuelles, observez ce qui suit:

- Evitez de faire fonctionner l'imprimante sans rouleau de papier correctement chargé.
- Evitez l'usage de papier non conforme aux spécifications.
- **Ceci risque de fournir une qualité d'impression médiocre.**
- Evitez d'utiliser du papier froissé ou comportant des morceaux de ruban adhésif plastique.
- Evitez de tirer à la main en forçant du papier déjà chargé.
- Evitez de coincer le papier dans le capot de l'imprimante.
- **Risque de bourrage de papier. Pour relâcher, reportez-vous à «Retrait du papier coincé» dans ce mode d'emploi.**
- Evitez d'utiliser un dispositif pointu pour manipuler les touches du panneau.



Assurez-vous d'insérer fermement la prise du câble dans sa douille de connexion.

- **Un branchement croisé risque d'endommager les pièces électroniques internes de l'imprimante ou le matériel du système hôte.**

Utilisez l'imprimante uniquement avec des dispositifs ayant des spécifications solénoïde pour le connecteur de l'ouverture du tiroir-caisse.

- **Le non-respect de cette précaution risque de provoquer un problème de fonctionnement ou une panne.**



Pour éviter d'empirer les pannes ou les problèmes de l'imprimante, observez ce qui suit:

- Ne touchez pas à la surface d'impression de la tête thermique.
- Ne touchez pas aux pièces mobiles (par ex. le massicot, les engrenages, les pièces électriques actives) lorsque l'imprimante fonctionne.
- En cas de problème, ne tentez pas de réparer l'imprimante. Confiez-la au service de CITIZEN SYSTEMS pour la réparation.
- Veillez à ne pas vous coincer les mains ou les doigts dans le capot de l'imprimante.
- Prenez garde aux bords acérés de l'imprimante. Ils risquent de vous blesser ou de provoquer des dommages matériels.
- **Risque de provoquer une électrocution, des brûlures ou des blessures.**
- **Si l'imprimante émet de la fumée, une odeur ou un bruit anormal pendant l'impression, abandonnez immédiatement le travail d'impression en cours et débrancher l'imprimante de la prise murale.**



ENTRETIEN JOURNALIER

Observez les précautions suivantes pour l'entretien quotidien.

- Pour nettoyer l'imprimante, mettez-la toujours hors tension et débranchez-la de la prise murale.
- Utilisez un chiffon doux et sec pour nettoyer la surface du boîtier de l'imprimante.
- Pour les taches tenaces, utilisez un chiffon doux légèrement imbibé d'eau.
- N'utilisez jamais d'agent de nettoyage organique comme de l'alcool, un diluant pour peinture, ou du benzène.
- Utilisez une brosse douce pour retirer les morceaux de papier.
- Pour transporter l'imprimante, retirez le rouleau de papier de son support.



ATTENTION

- **La tête thermique conserve une température dangereusement élevée immédiatement après usage. Ne la touchez pas avant qu'elle n'ait refroidi.**

1. PRÉSENTATION GÉNÉRALE

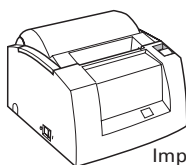
La CT-S300 est une imprimante de ligne thermique compacte, conçue pour une vaste gamme d'équipements terminaux, dont les terminaux de données, POS (Point Of Sale) et de cuisine.

Grâce à ses nombreuses fonctions, elle peut être utilisée dans une vaste gamme d'applications.

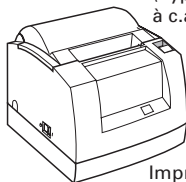
1.1 Déballage

Vérifiez que les composants suivants sont dans le paquet lorsque vous déballez l'imprimante:

- Imprimante: 1
- Adaptateur secteur (type d'adaptateur à c.a.): 1
- Cordon d'alimentation c.a.: 1
- Rouleau de papier échantillon: 1 rouleau
- Adaptateur pour le rouleau de papier de 58 mm de largeur: 1
- Mode d'emploi (ce manuel): 1



Imprimante
(Type d'adaptateur
à c.a.)



Imprimante
(Type alimentation
intégré)



Adaptateur secteur
(Type d'adaptateur à c.a.)



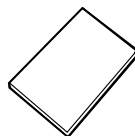
Cordon
d'alimentation c.a.



Rouleau de papier
échantillon



Adaptateur pour le
rouleau de papier de
58 mm de largeur



Mode d'emploi
(ce manuel)

1.2 Classification des modèles

Les modèles d'imprimante sont classifiés selon la méthode de désignation suivante:

CT - S300 - R F 230 A

Interface
R: Sériele conforme à RS-232C
P: Parallèle conforme à IEEE 1284
U: USB

Jeu de caractères
F: International

Capteur de marque noire pour côté arrière
Néant: Aucun capteur (standard)
M1: Senseur de repère noir, gauche
M2: Senseur de repère noir, droite

Alimentation

A: Type d'adaptateur secteur
S: Type alimentation intégrée

Spécifications de cordon d'alimentation
100: Pour c.a. 100 V
120: Pour c.a. 120 V
230: Pour c.a. 230 V

1.3 Spécifications de base

Rubrique	Caractéristiques	
Modèle	CT-S300-RF120 CT-S300-PF120 CT-S300-UF120	CT-S300-RF230 CT-S300-PF230 CT-S300-UF230
Méthode d'impression	Méthode d'impression thermique de points en lignes	
Largeur d'impression	72 mm/576 points, (48 mm/384 points) *1	
Densité de point	8 × 8 points/mm (203 dpi)	
Vitesse d'impression	130 mm/sec (Niveau standard de densité d'impression la plus rapide 0), 1040 lignes de points/sec	
Nombre de colonnes d'impression *2 () indique la valeur avec un papier de 58 mm de largeur	Police A: 48/42 (32/30) colonnes; 12 × 24 points Police B: 64/56 (42/40) colonnes; 9 × 17 points Police C: 72/63 (48/45) colonnes; 8 × 16 points	
Taille des caractères	Police A: 1,50 × 3,00 mm Police B: 1,13 × 2,13 mm Police C: 1,00 × 2,00 mm	
Type de caractère	Alphanumérique, international, PC437/850/852/857/858/860/863/864/865/866/WPC1252/Katakana/ Thaï 18	
Mémoire d'utilisateur	256 KB (capable d'enregistrer les caractères et les logos définis par l'utilisateur)	
Types de code à barres	UPC-A/E, JAN (EAN) 13/8 colonnes, ITF, CODE 39, CODE 128, CODABAR, CODE 93	
Espacement de lignes	4,23 mm (1/6 pouce)	
Rouleau de papier	Rouleau de papier thermique: 80 ⁺⁰ ₋₁ mm/58 ⁺⁰ ₋₁ mm × φ83 mm Épaisseur papier: 65-75 μm	
Interfaces	Sérielle (conforme à RS-232C), Parallèle (conforme à IEEE 1284), USB	
Interface du tiroir-caisse	2 tiroirs-caisse sont supportés.	
Tampon d'entrée	4k octets/45 octets	
Tension d'alimentation	24 V c.c. ±7%	
Consommation électrique	Environ 70 W (en cas d'impression normale)	
Spécifications de l'adaptateur secteur	Entrée nominale: 100 à 240 V c.a., 50/60 Hz, 150 VA Sortie nominale: 24 V c.c., 2A	
	35AD-U	35AD-E
Poids	Environ 1,2 kg	
Dimensions externes	145 (l) × 195 (p) × 121 (h) mm (Type d'adaptateur à c.a.) 145 (l) × 195 (p) × 159 (h) mm (Type alimentation intégré)	
Température et humidité de fonctionnement	De 5 à 40°C, 35 à 85% RH (pas de condensation)	
Température et humidité de stockage	De -20 à 60°C, de 10 à 90% RH (pas de condensation)	
Fiabilité	Durée de vie de la tête d'impression: 100 km, 1 × 10 ⁸ impulsions (À température/humidité normale en utilisant le papier recommandé) Durée de vie du massicot automatique: 1.000.000 découpes (À température/humidité normale en utilisant le papier recommandé)	
Standard de sécurité *3	UL, C-UL, FCC Classe A	TÜV, GS, marquage CE

Notes:

*1: Représente la valeur lorsqu'un rouleau de papier de 58 mm de largeur est utilisé.

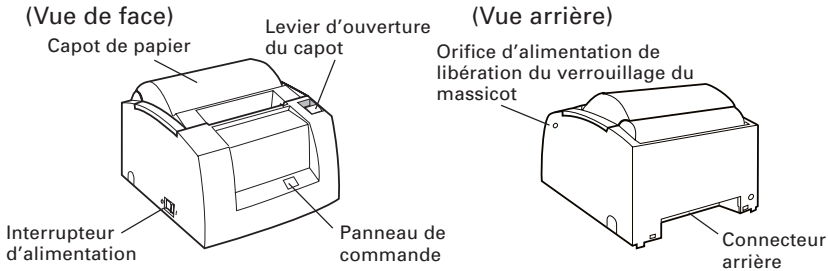
*2: Le nombre de colonnes imprimables se sélectionne avec un commutateur à positions multiples.

*3: Représente les standards de sécurité acquis lorsque des adaptateurs de fabrication CITIZEN SYSTEMS (série 35AD) sont utilisés.

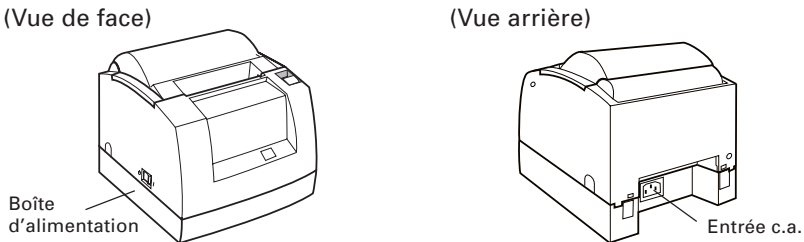
2. EXPLICATION DES COMPOSANTS DE L'IMPRIMANTE

2.1 Apparence extérieure de l'imprimante

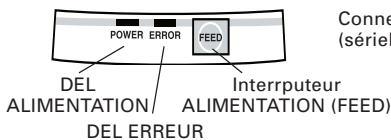
Type à adaptateur secteur c.a.



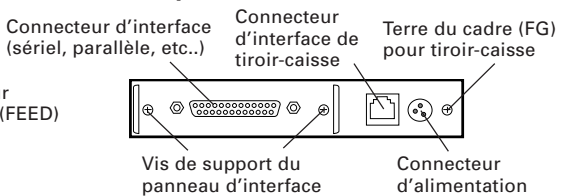
Type alimentation intégrée



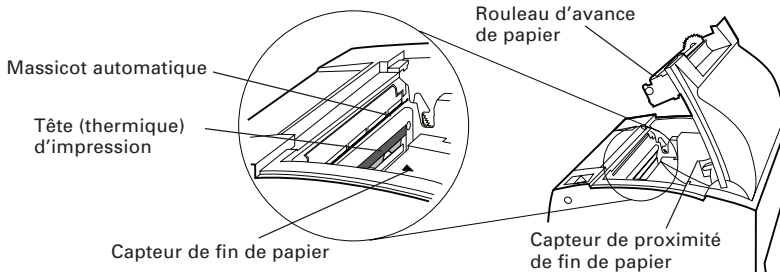
Panneau de commande



Connecteurs postérieurs



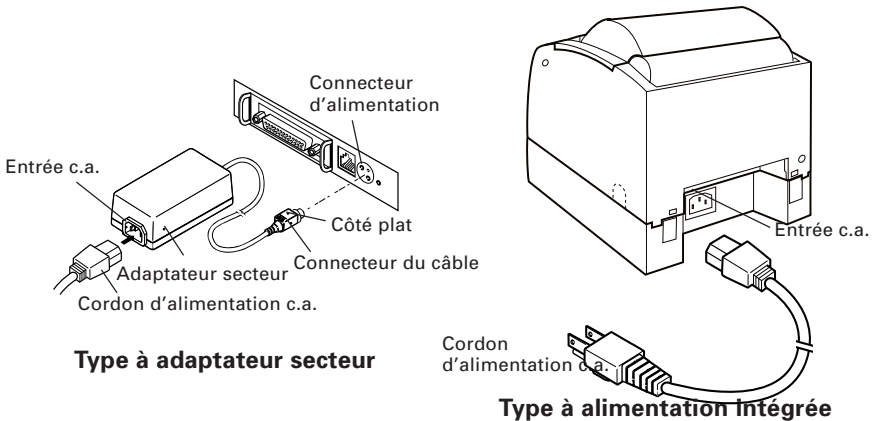
Intérieur du capot de papier



3. PRÉPARATION

3.1 Branchement de l'adaptateur secteur et du cordon d'alimentation

1. Mettez l'imprimante hors tension.
2. Pour le type adaptateur secteur uniquement : Avec le côté plat du connecteur du câble de l'adaptateur secteur face vers le haut, insérez le connecteur du câble dans le connecteur d'alimentation à l'arrière de l'imprimante.
3. Branchez le cordon d'alimentation sur l'entrée de l'imprimante et introduisez la fiche du cordon d'alimentation dans une prise murale appropriée.



ATTENTION!

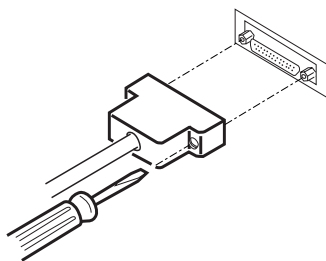
- Utilisez uniquement l'adaptateur c.a. indiqué avec l'imprimante.
- En débranchant un câble, ne tirez pas par le câble. Tenez toujours par la fiche.
- Maintenez toujours l'alimentation de courant alternatif éloigné des autres équipements produisant du bruit.
- Ne tirez pas par le cordon du secteur pour éviter tout risque d'incendie, d'électrocution ou de débranchement de l'alimentation.
- En cas d'approche de foudre, débranchez le cordon d'alimentation c.a. de la prise murale. Sinon un incendie ou une électrocution peut se produire.
- Maintenez le cordon du secteur éloigné des appareils de chauffage. Sinon le revêtement du cordon du secteur risque d'être fondu avec comme résultat un incendie ou une électrocution.
- Si l'imprimante ne doit pas être utilisée pendant longtemps, laissez-la débranchée de la sortie d'alimentation.

3.2 Branchement des câbles d'interface

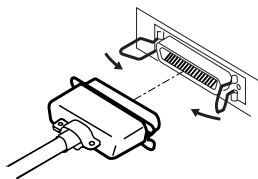
Mettez l'imprimante hors tension. Puis suivez la méthode pour le branchement des câbles d'interface.

Orientez correctement la borne du câble d'interface et introduisez-la dans le connecteur d'interface.

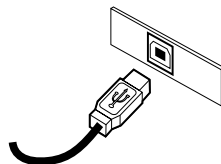
Dans le cas du type d'alimentation incorporée, enlevez l'unité de la boîte d'alimentation avant la connexion.



Interface série



Interface parallèle



Interface USB

ATTENTION!

En débranchant le câble, tenez toujours le connecteur.

Pour le câble d'interface série, l'utiliser avec le raccordement suivant.

Câble 25 broches - 25 broches

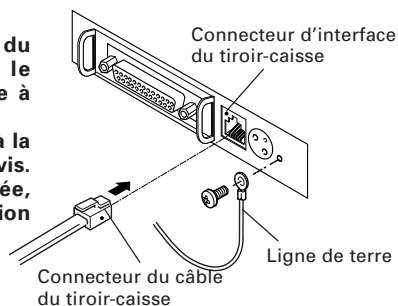
PC		Imprimante	
Signal	Broche	Broche	Signal
FG	1	1	FG
TXD	2	2	TXD
RXD	3	3	RXD
CTS	5	4	RTS
DSR	6	6	DSR
SG	7	7	SG
DTR	20	20	DTR

Câble 9 broches - 25 broches

PC		Imprimante	
Signal	Broche	Broche	Signal
RXD	2	2	TXD
TXD	3	3	RXD
DTR	4	4	RTS
SG	5	6	DSR
DSR	6	7	SG
CTS	8	20	DTR

3.3 Branchement du tiroir-caisse

1. Mettez l'imprimante hors tension.
2. Orientez correctement le connecteur du tiroir-caisse et introduisez-le dans le connecteur d'interface du tiroir-caisse à l'arrière de l'imprimante.
3. Branchez le fil de terre du tiroir-caisse à la borne de terre de l'imprimante avec une vis. Pour le type à alimentation incorporée, enlevez l'unité de la boîte d'alimentation avant la connexion.



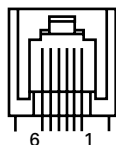
⚠ ATTENTION!

Ne branchez pas un autre dispositif que le tiroir spécifié au connecteur d'interface du tiroir-caisse. (Ne branchez pas non plus de ligne téléphonique.)

Dans le cas du type à alimentation incorporée, enlevez l'unité de la boîte d'alimentation avant la connexion.

(1) Configuration des broches du connecteur

No.	Signal	Fonction
1	FG	Terre du cadre
2	DRAWER 1	Signal de commande du tiroir 1
3	DRSW	Entrée de l'interrupteur du tiroir
4	VDR	Alimentation de commande du
5	DRAWER 2	Signal de commande du tiroir 2
6	GND	Terre commune sur circuits



Connecteur utilisé:
TM5RJ3-66 (Hirose)
ou équivalent
Connecteur applicable:
TM3P-66P (Hirose)
ou équivalent

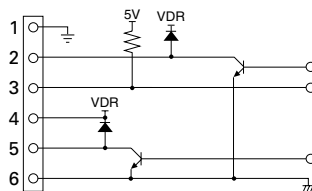
(2) Caractéristiques électriques

- 1) Tension de commande: 24 VCC
- 2) Courant de commande: Approx. 1 A max. (ne doit pas excéder 510 ms.)
- 3) Signal DRSW: Niveaux de signal: «L»=0 à 0,5 V, «H»=3 à 5 V

(3) Signal DRSW

Le statut du signal DRSW peut être testé avec la commande DLE+EOT, GS+a, ou GS+r ou sur la broche 34 du port d'interface parallèle.

(4) Circuit de commande (côté de l'imprimante)



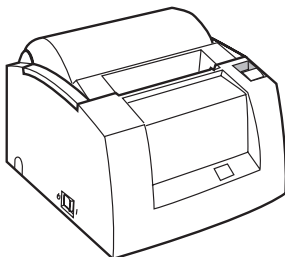
⚠ ATTENTION!

- Aucune ouverture de tiroir n'est produite pendant l'impression.
- Les tiroirs-caisse 1 et 2 ne peuvent pas être commandés simultanément.
- La solénoïde utilisée pour le tiroir-caisse doit être de 24 Ω ou plus. Le courant de sortie devra être maintenu à 1A ou moins; sinon, des pannes ou un incendie risque de se produire.

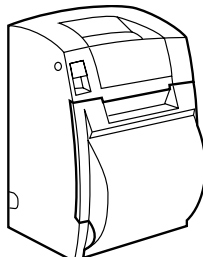
3.4 Installation de l'imprimante

L'imprimante peut être installée horizontalement, verticalement et sur le mur. Au moment de l'expédition, l'imprimante est réglée pour une installation horizontale. Pour installer l'imprimante verticalement ou sur le mur, les réglages suivants sont nécessaires.

1. Réglage de la position du capteur de presque fin de papier (voir la section 3.7)
2. Pieds en caoutchouc anti-glissade (pour disposition verticale)
3. Kit en option de montage au mur (pour le montage au mur)
4. Câble c.a. à angle droit en option (en installant verticalement l'imprimante avec l'alimentation intégrée)



Position horizontale



Position verticale

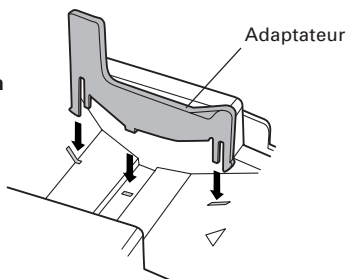


ATTENTION!

- Quand elle est utilisée en position verticale, l'imprimante éjecte le papier de sorte qu'il ne tombe pas normalement même avec un découpage complet. Faites bien attention quand vous utilisez l'équipement incorporé de l'imprimante, etc.
- Lorsque vous utilisez une disposition horizontale, évitez une coupe complète. Sinon, le papier coupé risque de tomber dans le massicot automatique, causant une double découpe et des morceaux de papier étroits. Ceci peut causer un bourrage de papier.

3.5 Adaptateur pour le rouleau de papier de 58 mm de largeur

1. Mettez l'imprimante hors tension.
2. Ouvrez le capot de papier.
3. Attachez l'"Adaptateur" fourni avec l'imprimante à la position représentée sur la figure.
4. En se référant à la section du réglage du commutateur de mémoire, changez le réglage de la largeur de papier à 58 mm.



ATTENTION!

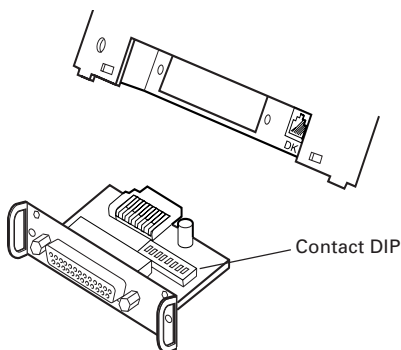
Lorsque le papier de 58 mm de largeur est utilisé, utilisez toujours l'imprimante uniquement avec du papier de 58 mm de largeur.

3.6 Réglage du contact DIP

Le contact DIP est présent sur l'interface série.

Enlevez les vis de fixation du panneau, enlevez le panneau d'interface, puis réglez le contact DIP.

La fonction de chaque commutateur est comme indiquée ci-dessous.



No. de contact	Fonction	ON (marche)	OFF (arrêt)	Réglages initiaux
1	Méthode de réglage de la condition de communication	Réglage du contact DIP	Réglage du contact de mémoire	ON
2	Contrôle de flux	XON/XOFF	DTR/DSR	OFF
3	Longueur bit	7 bits	8 bits	OFF
4	Contrôle de parité	Avec parité	Aucune	OFF
5	Sélection parité	Parité paire	Parité impaire	OFF
6	Sélection taux de baud	Voir le tableau ci-dessous		ON
7				ON
8	INIT	Réenclenchement	Invalide	OFF

Sélection du taux de baud

Taux de baud (bps)	No. de contact	
	6	7
2400	OFF	OFF
4800	ON	OFF
9600	OFF	ON
19200	ON	ON

38400 bps peuvent également être choisis par une commande, etc.

3.7 Réglage du capteur de fin du papier proche

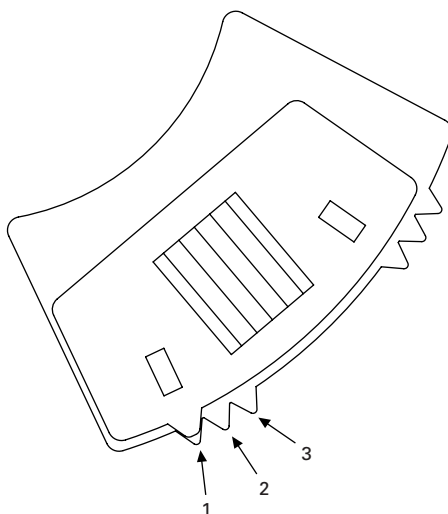
1. Enfoncez l'unité du capteur de presque fin de papier.
2. Déplacez l'unité du capteur de presque fin de papier vers la droite et la gauche tout en la poussant.

La position à régler varie selon le réglage de l'imprimante, horizontal ou vertical ou le diamètre du rouleau de papier comme indiqué dans figure suivante.

Position du capteur	Méthode d'installation	Diamètre interne de rouleau de papier (mm)
1	Horizontal	$\phi 22$
2		$\phi 24$
3		$\phi 27$
3	Vertical (Fixé au mur)	$\phi 22$
2		$\phi 24$
1		$\phi 27$

ATTENTION!

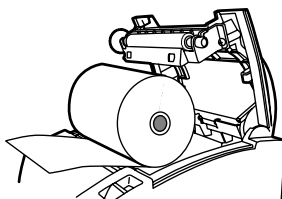
- Le reste du papier (diamètre externe du rouleau) varie selon le type de rouleau de papier utilisé.
- Le diamètre interne du rouleau de papier est prévu uniquement pour référence.
- Le diamètre externe recommandé pour le noyau du rouleau de papier est $\phi 18$. Cependant si un rouleau de papier d'un diamètre $\phi 22$ doit être utilisé, les réglages à 1" pour le positionnement horizontal et 3" pour le positionnement vertical ne pourra pas être utilisé.



4. ENTRETIEN ET DÉPANNAGE

4.1 Mise en place/Remplacement des rouleaux de papier

1. Tirez le levier d'ouverture du capot à fond vers soi-même.
2. Ouvrez le capot de papier.
3. Insérez un rouleau de papier avec sa surface d'impression vers le bas comme représenté sur la figure et retirez la fin du papier tout droit sur plusieurs centimètres en dehors de l'imprimante.
4. Fermez le capot de papier jusqu'à ce qu'un déclic puisse être entendu.



ATTENTION!

- Utilisez uniquement les types de rouleaux de papier spécifiés.
- Vérifiez que le rouleau de papier est placé correctement.
- Quand le papier est biaisé et non étendu tout droit de dessous le capot, ouvrez le capot et ajustez le papier correctement.
- À la fermeture du capot, pressez sur la pièce centrale du capot pour le fermer fermement.

AVERTISSEMENT

En ouvrant le capot, faites bien attention à ne pas toucher la tête d'impression ou la lame du massicot. Autrement, une brûlure ou une blessure de la main peut résulter.

4.2 Retrait du papier coincé

1. Mettez l'imprimante hors tension.
2. Ouvrez le capot de l'imprimante.
Si la lame du massicot reste en saillie avec du papier bloqué, n'ouvrez pas le capot en forçant. En vous référant à la Section 4.4, ramenez la lame à sa position normale, puis ouvrez le capot.
3. Retirez le papier coincé ainsi que les morceaux de papier restants. (Retirez également le rouleau de papier de son support.)
4. Mettez l'imprimante sous tension. Le mécanisme de découpe automatique est initialisé et l'alarme est annulée.

ATTENTION!

La tête d'impression chauffe immédiatement après l'impression. Ne la touchez pas de la main. Ne touchez pas l'élément de chauffe de la tête à mains nues ou avec un objet métallique.

4.3 Nettoyage de la tête d'impression

1. Mettez l'imprimante hors tension.
2. Ouvrez le capot de l'imprimante.
3. Attendez plusieurs minutes. Essuyez les taches comme la poussière par exemple, sur l'élément de chauffe de la tête à l'aide d'un coton-tige imbibé d'alcool éthylique.



ATTENTION!

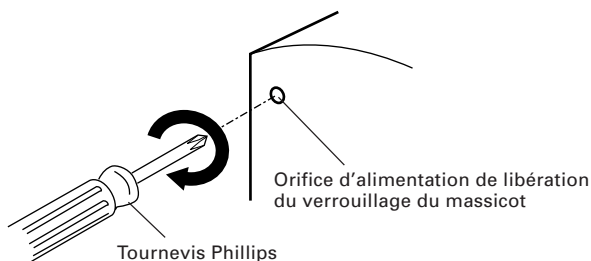
La tête d'impression est chaude juste après l'impression. Ne touchez pas avec votre main. Ne touchez pas l'élément de chauffe de la tête avec un objet nu de main ou en métal l'un ou l'autre.

4.4 Quand le capot de papier ne peut pas être ouvert

Si la lame du massicot reste en saillie à cause d'un bourrage papier ou de n'importe quelle anomalie, l'ouverture du capot de papier peut être annulée.

Dans ce cas, n'ouvrez pas le capot de papier en forçant. Insérez un tournevis Phillips dans l'orifice d'avance de libération du verrouillage du massicot et tournez-le dans la direction de la flèche (dans le sens des aiguilles d'une montre).

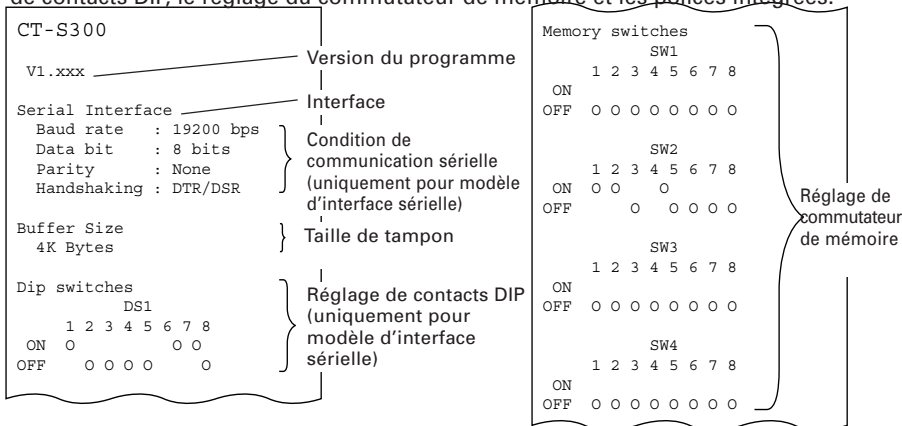
Utilisez un tournevis No. 1.



Quand vous constatez que les deux extrémités de la lame ont atteint la position la plus basse, arrêtez de tourner le tournevis. Ouvrez le capot et suivez la méthode pour enlever le bourrage ou autre cause de problème.

4.5 Auto test

Insérez le papier dans l'imprimante. En maintenant l'interrupteur d'avance (FEED) pressé, mettez l'imprimante sous tension, maintenez l'interrupteur d'avance (FEED) pressé pendant environ 1 seconde, puis libérez l'interrupteur d'avance (FEED). L'imprimante démarre l'impression automatique. L'imprimante imprime le nom, la version, le réglage de contacts DIP, le réglage du commutateur de mémoire et les polices intégrées.



4.6 Vidage hexadécimal

La fonction de vidage hexadécimal permet d'imprimer toutes les données envoyées en nombres hexadécimaux. Si des problèmes tels que données manquantes, duplication de données, etc. devraient se produire, cette fonction permet de vérifier si l'imprimante reçoit les données correctement.

Placez le papier à l'imprimante et maintenez le capot de papier ouvert. Avec l'interrupteur d'avance (FEED) pressé, mettez l'imprimante sous tension, puis fermez le capot de papier. Celle-ci imprime tout d'abord «HEX Dump print mode (Vidage hexadécimal)», et elle imprime ensuite toutes les données suivantes en hexadécimal et en certains caractères.

ATTENTION!

- S'il n'y a pas de caractère disponible pour correspondre aux données reçues, « . » est imprimé à la place du caractère.
- Pendant le vidage hexadécimal, aucune autre fonction que certaines commandes n'est opérationnelle.
- Si les données reçues ne sont pas suffisantes pour une ligne pleine, appuyez sur l'interrupteur FEED pour que la ligne soit imprimée.

L'imprimante sort du mode de vidage hexadécimal lorsqu'elle est mise hors tension, lorsque l'interrupteur FEED est enfoncé 3 fois successivement, ou lorsque l'imprimante reçoit un signal de réinitialisation de l'interface, lorsque le vidage hexadécimal est terminé.

Exemple d'impression


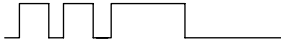








```

HEX DUMP PRINT MODE
1B 21 00 1B 20 04 41 42 43 44 ... .ABCD
45 46 47 48 49 4A 4B 4C 4D 4E EFGHIJKLMN
4F 50 0D 0A 31 32 33 0D 0A   OP..123..
    
```

4.7 Indication des erreurs

- **Fin du papier**
La fin du papier est détectée en deux étapes: fin du papier proche et fin du papier. Le témoin ERREUR s'allumera. Si la fin du papier est détectée, remplissez avec du papier. Si le capot de papier est ouvert, une fin du papier est détectée.
- **Capot de papier ouvert**
Pendant l'impression, n'ouvrez pas le capot de papier. Si vous ouvrez le capot de papier accidentellement, le témoin ERREUR clignotera. Confirmez la présence du papier et fermez le capot. L'impression reprendra automatiquement.
- **Surchauffe de la tête thermique**
Quand vous imprimez des caractères denses ou une image foncée, la température de la tête thermique s'élèvera. Si la température de la tête thermique excède un niveau indiqué, l'imprimante cessera l'impression et attendra jusqu'à ce que la température de la tête thermique s'abaisse. Pendant l'attente, le témoin ERREUR clignotera. Quand la température de la tête thermique est abaissée, l'impression reprendra automatiquement.
- **Verrouillage du massicot**
Si la lame du massicot s'arrête de fonctionner à cause d'un bourrage papier ou autre fait anormal, le témoin ERREUR clignotera. Éliminer la cause du problème et appuyez sur l'interrupteur d'avance (FEED). Si la lame ne se déplace pas et le capot ne s'ouvre pas, même avec le procédé ci-dessus, suivez la méthode indiquée dans la section 4.4 pour ouvrir le capot de papier.
- **Erreur de détection de Marque Noire (en mode de Marque Noire)**
Quand aucune Marque Noire ne peut être détectée même si une certaine quantité d'alimentation de papier est effectuée pour la détection de Marque Noire, une erreur de détection de Marque Noire se produit. Si la détection de Marque Noire dépasse la durée indiquée, une condition "Pas de papier" est assumé et la même erreur que pour "Pas de papier" est indiqué.

L'état d'illumination et de clignotement de chaque erreur y compris de ce qui précède est indiqué ci-dessous.

État	Témoin ALIMENTATION	Témoin ERREUR	Vibreur
Fin de papier	S'allume	S'allume	○
Fin de papier proche	S'allume	S'allume	
Erreur capot ouvert	S'allume	S'allume	○
Erreur capot ouvert *1	S'allume		○
Verrouillage du massicot	S'allume		○
Erreur surchauffe de la tête	S'allume		
Erreur de contrôle de mémoire		S'allume	
Erreur de basse tension	S'allume		
Erreur à haute tension	S'allume		
Erreur de contrôle sommatoire			
Attente d'exécution d'une macro *2	S'allume		
Erreur de détection de Marque Noire	S'allume		○

*1: Quand l'imprimante imprime.

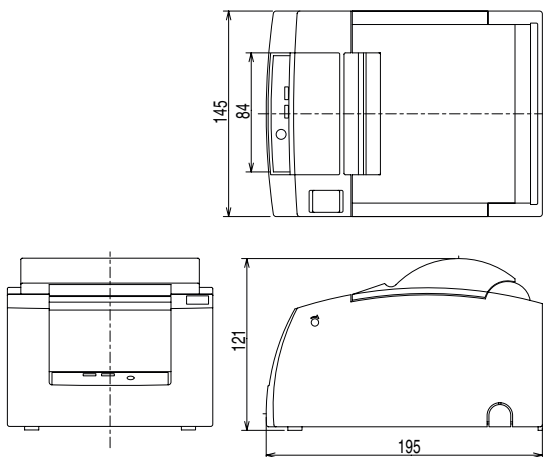
*2: Le témoin ERREUR peut clignoter même dans l'exécution de la fonction macro.

5. DIVERS

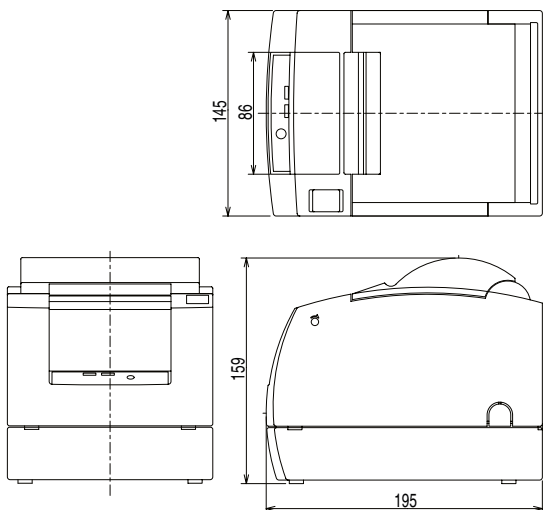
5.1 Vues et dimensions externes

(Unité: mm)

Type à adaptateur secteur c.a.



Type alimentation intégrée



5.2 Réglage manuel du commutateur de mémoire

Les commutateurs de mémoire peuvent être placés manuellement ou par commande. Pour le réglage manuel, se référer à la prochaine page.

La fonction de chaque commutateur de mémoire est indiquée dans le tableau suivant. (Les caractères blanc-sur-noir représentent ceux de réglage d'usine).

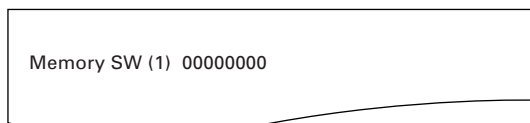
No. commutateur	Réglage	0 (OFF)	1 (ON)
Memory SW1-1	Power ON Info	Send	Not send
Memory SW1-2	Buffer Size	4k bytes	45 bytes
Memory SW1-3	Busy Condition	Full/Err	Full
Memory SW1-4	Receive Error	Print "?"	No Print
Memory SW1-5	CR mode	Ignored	LF
Memory SW1-6	Reserved	Fixed	-
Memory SW1-7	DSR Signal	Invalid	Valid
Memory SW1-8	Init Signal	Invalid	Valid
Memory SW2-1	Reserved	-	Fixed
Memory SW2-2	Auto Cutter	Invalid	Valid
Memory SW2-3	Spool Print	Invalid	Valid
Memory SW2-4	Full Col Print	CBM1000	EPSON
Memory SW2-5	Resume aft PE	Next	Top
Memory SW2-6	Paper width	80 mm	58 mm
Memory SW2-7	Reserved	Fixed	-
Memory SW2-8	NPE Sensor	Valid	Invalid
Memory SW3-1	Resum Ctrr Err	Feed S/W	Command
Memory SW3-2	Resum Open Err	Close	Command
Memory SW3-3	Parallel 31 Pin	Valid	Invalid
Memory SW3-4	Paper Select	Thermal	Black MK
Memory SW3-5	Column Number	48/32 col	42/30 col
Memory SW3-6	No use	Fixed	-
Memory SW3-7	CBM1000 Mode	Invalid	Valid
Memory SW3-8	Open w/Printing	Auto	Manual
Memory SW4-1	Auto Length	Invalid	Valid
Memory SW4-2	BM Sensor	Surface	Back
Memory SW4-3	No use	OFF	Fixed
Memory SW4-4	No use	OFF	Fixed
Memory SW4-5	No use	OFF	Fixed
Memory SW4-6	No use	OFF	Fixed
Memory SW4-7	No use	OFF	Fixed
Memory SW4-8	Full Cut Cmd	Full Cut	Partial

Réglage manuel du commutateur de mémoire ("Memory SW")

Le commutateur de mémoire peut être sélectionné, changé ou écrit en combinant trois actions: en appuyant sur l'interrupteur d'avance (FEED), en maintenant pressé l'interrupteur d'avance (FEED), et en ouvrant ou en fermant le capot de papier.

1. Passage en mode de réglage du commutateur de mémoire

Réglez le papier à l'imprimante et maintenez le capot de l'imprimante ouvert. Avec l'interrupteur d'avance FEED pressé, mettez l'imprimante sous tension, puis pressez l'interrupteur d'avance deux fois. Fermez le capot. Si les réglages courants du commutateur de mémoire, etc. sont imprimés, l'imprimante est maintenant en mode de réglage du commutateur de mémoire.



0: État OFF (arrêt)
1: État ON (marche)

2. Sélection du commutateur de mémoire

Quand l'interrupteur d'avance (FEED) est pressé pour une courte durée (moins de 2 secondes), l'impression se produit selon la séquence "Memory SW1" → "Memory SW2" → "Memory SW3" → "Memory SW4" → "Write/Factory Setting" → "Memory SW1" → à plusieurs reprises. Quand le commutateur de mémoire que vous voulez changer est indiqué, maintenez pressé l'interrupteur d'avance FEED (pendant plus de 2 secondes).

3. Sélection de chaque rubrique du commutateur

Il y a huit rubriques de réglage pour chaque commutateur. Maintenez pressé l'interrupteur d'avance FEED pendant une longue période, l'imprimante passera à la prochaine rubrique et imprimera le réglage courant de la rubrique. Continuez à presser jusqu'à ce que la rubrique pour laquelle vous voulez changer le réglage soit indiquée.



État OFF: DEL ERREUR OFF
État ON: DEL ERREUR ON

4. Changement du réglage

Quand la rubrique que vous voulez changer est indiquée, pressez l'interrupteur d'avance (FEED) pour une courte période. La valeur de réglage changée est imprimée. (Pour retourner au réglage précédent, pressez l'interrupteur d'avance pour une courte période. Quand vous appuyez sur l'interrupteur d'avance pendant longtemps, la valeur réglée est acceptée et l'imprimante passera à la prochaine rubrique de réglage.

5. Retour au mode de sélection du commutateur de mémoire

Quand le réglage du contenu désiré est complété, ouvrez le capot de papier, puis fermez-le. Ceci permettra à l'imprimante d'imprimer le réglage du commutateur de mémoire changé.

6. Pour sauvegarder le réglage et quitter le mode de réglage du commutateur de mémoire

Pressez l'interrupteur d'avance FEED pour se déplacer à "Write/Factory Setting". Puis maintenez pressé l'interrupteur d'avance. L'imprimante imprime le contenu du nouveau réglage et quittera le mode de réglage du commutateur de mémoire pour retourner à l'état normal d'attente.

* À moins que la sauvegarde du réglage soit exécuté, le réglage changé ne peut pas être validé.

7. Initialisation du commutateur de mémoire

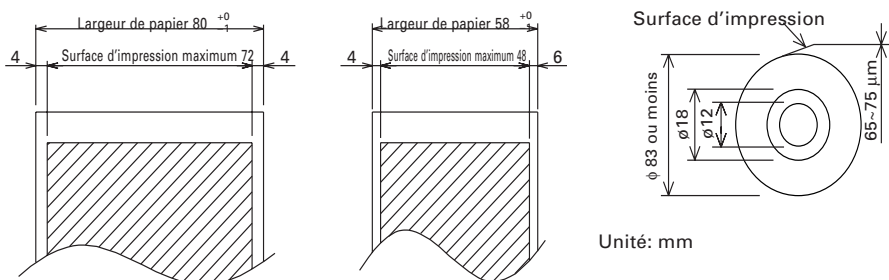
Quand vous voulez remettre le commutateur de mémoire à l'état initial, passez à la procédure "Write/Factory Setting" mentionnée ci-dessus. Dans ce cas, ouvrez le capot du papier et maintenez pressé l'interrupteur d'avance FEED jusqu'à ce que le buzzer sonne. Ceci permettra à l'imprimante de retourner à l'état initial.

* Toutes les positions des commutateurs de mémoire sont retournées aux valeurs réglées à l'usine.

5.3 Papier d'impression

Utiliser le papier d'impression indiqué dans le tableau suivant ou le papier avec une qualité équivalente.

Type de papier	Nom du produit
Rouleau de papier thermique recommandé	TD50KS-E2D de Nippon Paper KF50-HAD, PD150R, PD160R de Ohji Paper F220VP, HP220A de Mitsubishi Paper



ATTENTION!

L'usage du papier avec le début du rouleau s'effectue comme ci-après.

- Aucun pli n'est observé et le papier se trouve le long du diamètre interne.
- Aucun bord relevé n'est observé.
- Aucun collage au noyau n'est observé.
- La surface externe est utilisée (côté d'impression vers l'extérieur).

DEUTSCH

INHALTSVERZEICHNIS

1. ALLGEMEINE ÜBERSICHT	8
1.1 Auspacken	8
1.2 Modellklassifizierung	8
1.3 Grundlegende technische Daten	9
2. ERLÄUTERUNG DER DRUCKERKOMPONENTEN	10
2.1 Ansicht des Druckers	10
3. VORBEREITUNG	11
3.1 Anschließen des Netzteils und Netzkabels	11
3.2 Anschließen der Schnittstellenkabel	12
3.3 Anschließen der Geldlade	13
3.4 Aufstellen des Druckers	14
3.5 Trennvorrichtung für 58-mm-Papierrollen	14
3.6 Einstellen der DIP-Schalter	15
3.7 Einstellen des Papiermengensensors	16
4. WARTUNG UND FEHLERBEHEBUNG	17
4.1 Einsetzen/Auswechseln von Papierrollen	17
4.2 Beseitigen von Papierstaus	17
4.3 Reinigen des Druckkopfes	18
4.4 Vorgehensweise, wenn sich die Papierabdeckung nicht öffnen lässt	18
4.5 Statusausdruck	19
4.6 Hexdump-Druckverfahren	19
4.7 Fehleranzeige	20
5. SONSTIGES	21
5.1 Äußere Ansicht und Abmessungen	21
5.2 Manuelle Einstellung von Speicher-Switches	22
5.3 Druckpapier	24

ALLGEMEINE VORSICHTSMASSNAHMEN

- Lesen Sie sich das vorliegende Benutzerhandbuch sorgfältig durch, bevor Sie das Gerät verwenden. Verwahren Sie es danach an einem sicheren, leicht zugänglichen Ort, um bei Bedarf darauf zurückgreifen zu können.
- Der Hersteller behält sich vor, die hierin enthaltenen Informationen ohne vorherige Ankündigung zu ändern.
- Jegliche Reproduktion und Weitergabe von Teilen oder der Gesamtheit des Dokuments ohne vorherige Genehmigung von CITIZEN SYSTEMS ist untersagt.
- Beachten Sie, dass CITIZEN SYSTEMS jede Haftung für Folgen aus dem Betrieb des Geräts unabhängig von im vorliegenden Handbuch enthaltenen Auslassungen, Fehlern oder Druckfehlern ausschließt.
- Beachten Sie, dass CITIZEN SYSTEMS keine Haftung für jegliche Störungen übernimmt, die infolge der Verwendung von in diesem Handbuch nicht autorisierten Zubehörteilen oder Verbrauchsmaterialien entstehen.
- Mit Ausnahme der in diesem Handbuch genannten Fälle darf das Gerät nicht selbst gewartet, zerlegt oder repariert werden.
- Beachten Sie, dass CITIZEN SYSTEMS keine Haftung für jegliche Störungen übernimmt, die infolge von unsachgemäßer Verwendung oder nicht geeigneter Betriebsumgebungen auftreten, auch wenn in diesem Handbuch nicht darauf hingewiesen wird.
- Die vom Gerät verarbeiteten Daten sind grundsätzlich für eine temporäre Nutzung vorgesehen und werden nicht über längere Zeiträume oder permanent gespeichert.
Beachten Sie, dass CITIZEN SYSTEMS keine Haftung für jegliche Schäden oder entgangene Verluste übernimmt, die aus Datenverlusten infolge von unvorgesehenen Ereignissen, Reparaturen, Tests oder sonstig entstehen.
- Wenn Ihnen fehlende Informationen, Fehler oder Unklarheiten auffallen, wenden Sie sich an Ihren CITIZEN SYSTEMS-Händler.
- Wenn Ihnen fehlende Seiten oder sonstige Mängel auffallen, wenden Sie sich zwecks Ersatz an Ihren CITIZEN SYSTEMS-Händler.

SICHERHEITSMASSNAHMEN ... DIE SIE STRIKT EINHALTEN MÜSSEN

Lesen Sie sich vor der erstmaligen Verwendung des Produkts die SICHERHEITSMASSNAHMEN sorgfältig durch.

Bei unsachgemäßem Betrieb kann es zu Unfällen kommen (Feuer, Schläge oder Verletzungen).

- Bewahren Sie das Handbuch danach an einem sicheren, leicht zugänglichen Ort auf, um bei Bedarf darauf zurückgreifen zu können.
- Einige der im Handbuch enthaltenen Beschreibungen sind möglicherweise für Ihr Druckermodell nicht von Bedeutung.

Um Verletzungen von Benutzern und Dritten sowie materielle Schäden zu vermeiden, werden im vorliegenden Handbuch spezielle Warnsymbole verwendet, die auf wichtige Informationen hinweisen.

Nachstehend wird der Grad der Gefahren und Schäden beschrieben, die bei unsachgemäßem Betrieb des Druckers oder Nichtbeachtung der durch die Warnsymbole gekennzeichneten Hinweise entstehen können.

WARNHINWEIS

Bei Nichtbeachtung derartig gekennzeichneteter Informationen kann es zu schweren oder tödlichen Verletzungen kommen.

VORSICHT

Bei Nichtbeachtung derartig gekennzeichneteter Informationen kann es zu Verletzungen oder materiellen Schäden kommen.



Dieses Symbol wird verwendet, um Sie auf wichtige Informationen aufmerksam zu machen.



Dieses Symbol weist auf Gefahren durch elektrische Schläge und mögliche Schäden durch statische Elektrizität hin.



Dieses Symbol weist darauf hin, dass der Netzstecker des Geräts zu ziehen ist.



Dieses Symbol wird verwendet, um wichtige Informationen zum Betrieb des Geräts hervorzuheben.



Dieses Symbol dient zur Warnung vor unzulässigen Eingriffen.

WARNHINWEIS

Verwenden und lagern Sie das Gerät nicht an Orten, an denen es folgenden Einflüssen ausgesetzt ist:

- Flammen oder hohe Luftfeuchtigkeit
- Direkte Sonneneinstrahlung
- Heißluftströme oder Abwärme von Heizgeräten
- Salzige Luft oder korrosive Gase
- Unzureichende Belüftung
- Chemische Reaktionen in Laboren
- Ölnebel, Stahlpartikel oder Staub
- Statische Elektrizität oder starke Magnetfelder
- **Die Nichtbeachtung dieser Warnhinweise kann zu Ausfällen des Druckers, Überhitzung sowie Rauch, Feuer oder elektrischen Schlägen führen.**



Keine Gegenstände in den Drucker einführen. Keine Flüssigkeiten in den Drucker spritzen. Keine Gegenstände auf dem Drucker ablegen.

- Keine Metallgegenstände wie Büroklammern, Heftklammern oder Schrauben in den Drucker fallen lassen.
- Keine Blumenvasen, Töpfe oder Tassen mit Flüssigkeiten auf dem Drucker abstellen.
- Darauf achten, dass keine Getränke oder sonstigen Flüssigkeiten in den Drucker geraten.
- Keine Insektenvertilgungsmittel oder sonstige Chemikalien auf den Drucker sprühen.
- **Wenn Fremdgegenstände aus Metall in den Drucker geraten, kann es zum Ausfall des Druckers, Bränden oder elektrischen Schäden kommen. In derartigen Fällen ist der Drucker sofort abzuschalten und vom Netz zu trennen. Wenden Sie sich an Ihren örtlichen CITIZEN SYSTEMS-Händler.**



Gehen Sie stets sachgemäß mit dem Drucker um:

- Den Drucker keinen Stößen oder Schlägen aussetzen (z.B. Tritte, Schütteln, Stöße mit harten Gegenständen).
- Den Drucker nicht demontieren oder sonstig modifizieren.
- **Bei nicht sachgemäßem Umgang kann es zum Ausfall des Druckers, Überhitzung sowie Brand- und Rauchentwicklung oder elektrischen Schlägen kommen.**



Platzieren, verwenden und lagern Sie den Drucker außerhalb der Reichweite von Kindern.

- **Von elektrischen Geräten können bei unsachgemäßer Handhabung oder Verwendung Unfall- und Verletzungsrisiken ausgehen.**
- **Achten Sie darauf, dass sich das Netzkabel und die Signalkabel außerhalb der Reichweite von Kindern befinden. Der Drucker ist so aufzustellen, dass Kinder keinen Zugang zum Geräteinnern erlangen können.**
- **Die Kunststoffhülle, in der sich der Drucker bei der Lieferung befindet, ist ordnungsgemäß zu entsorgen oder außerhalb der Reichweite von Kindern aufzubewahren. Wenn die Hülle über den Kopf gezogen wird, besteht Erstickungsgefahr.**



WARNHINWEIS

Beachten Sie die nachstehenden Vorsichtsmaßnahmen zur Stromversorgung und zum Netzkabel:

- Den Netzstecker nicht mit feuchten Händen anschließen oder ziehen.
- Betreiben Sie den Drucker ausschließlich mit der angegebenen Netzspannung und -frequenz.
- Verwenden Sie für den Drucker ausschließlich das angegebene externe Netzteil.
- Stellen Sie sicher, dass die Netzsteckdose, an die der Drucker angeschlossen ist, eine ausreichende Belastbarkeit aufweist.
- Verwenden Sie zur Stromversorgung keine Anschlussleisten oder Mehrfachsteckdosen, an die gleichzeitig auch andere Geräte angeschlossen sind
- Säubern Sie den Netzstecker vor dem Anschließen an die Netzsteckdose von Staub und anderen Ablagerungen.
- Verwenden Sie keine verformten oder beschädigten Netzkabel.
- Bewegen Sie den Drucker nicht in eingeschaltetem Zustand.
- **Bei nicht sachgemäßem Umgang kann es zum Ausfall des Druckers, Brand- und Rauchentwicklung oder elektrischen Schlägen kommen.**
- **Bei Überlastung kann sich das Netzkabel überhitzen und in Brand geraten oder der Schutzschalter ausgelöst werden.**
- Stellen Sie keine Gegenstände auf das Netzkabel. Stellen Sie den Drucker so auf, dass nicht auf das Netzkabel getreten wird.
- Achten Sie darauf, dass das Netzkabel beim Benutzen und Transportieren des Druckers nicht verbogen oder verdreht und keinem Zug ausgesetzt wird.
- Versuchen Sie nicht, das Netzkabel zu modifizieren.
- Verlegen Sie das Netzkabel nicht in der Nähe von Heizgeräten.
- **Die Nichtbeachtung dieser Vorsichtsmaßnahmen kann Drahtbrüche oder Beschädigungen der Isolierung zur Folge haben, wodurch die Gefahr von Kriechströmen, elektrischen Schlägen oder Beschädigungen des Druckers besteht. Wenn das Netzkabel beschädigt wurde, wenden Sie sich bitte an Ihren CITIZEN SYSTEMS-Händler.**
- Stellen Sie sicher, dass der Zugang zur belegten Steckdose nicht durch abgestellte Gegenstände behindert wird.
- Versorgen Sie den Drucker über eine günstig platzierte Steckdose, die im Notfall problemlos zugänglich ist.
- **In Notfällen wird der Drucker möglicherweise nicht sofort abgeschaltet.**
- Stecken Sie den Netzstecker ordnungsgemäß in die Steckdose.
- Ziehen Sie bei anhaltender Nichtbenutzung des Geräts den Netzstecker aus der Steckdose.
- Nach dem Abschalten des Druckers und des daran angeschlossenen Geräts beim Trennen des Netzkabels oder der Signalleitung den Stecker und den Anschluss greifen.



VORSICHT

Stellen Sie den Drucker auf einer ebenen, stabilen und vibrationsfreien Fläche auf.

- **Andernfalls könnte der Drucker herunterfallen und Verletzungen verursachen.**



Unter folgenden Bedingungen darf der Drucker nicht verwendet werden:

- Wenn die Belüftungslöcher des Druckers durch Wände oder Gegenstände blockiert werden;



- wenn sich Gegenstände auf dem Drucker befinden, oder wenn der Drucker durch Kleidung oder Tücher zugedeckt ist.

- **Achten Sie darauf, dass es im Inneren des Geräts nicht zu Überhitzungen kommt, infolge derer es zu Bränden oder Verformungen des Gehäuses kommen kann.**



- Stellen Sie den Drucker nicht in der Nähe von Rundfunk- oder Fernsehempfängern auf und versorgen Sie ihn nicht zusammen mit derartigen Geräten aus derselben Steckdose.



- Vermeiden Sie es, den Drucker über nicht abgeschirmte Kabel oder Leitungen zu betreiben. (Verwenden Sie für die Signalleitungen abgeschirmte Kabel oder verdrehte Doppelkabel mit Ferritkernen oder andere Abschirmverfahren.)

- Benutzen Sie den Drucker nicht zusammen mit Geräten, die starke Störstrahlung abgeben.

- **Der Drucker kann den Radio- oder Fernsehempfang in der Umgebung beeinträchtigen. Es besteht auch die Möglichkeit, dass benachbarte elektrische Geräte den Drucker beeinflussen und dadurch Datenfehler oder Funktionsstörungen auftreten.**

Erden Sie den Drucker vor der Benutzung in geeigneter Weise.

- **Bei Auftreten von Kriechströmen besteht Stromschlaggefahr.**



Schließen Sie den Erdungsleiter des Druckers nicht an folgende Gegenstände an:

- Gasleitungen

Andernfalls besteht die Gefahr von Gasexplosionen.

- Erdungen von Telefonleitungen

- Blitzableiter

Andernfalls besteht bei Blitzschlägen besteht:leave out is double durch Spannungsspitzen Brand- oder Stromschlaggefahr.

- Wasserleitungen

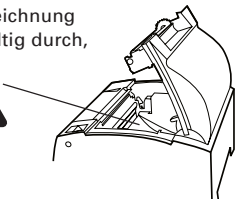
Wasserleitungen aus Kunststoff sind zur Erdung nicht geeignet (sofern keine Zustimmung der zuständigen Wasserwerke vorliegt).



Vor Anschließen oder Trennen des Druckererdungsleiters stets den Netzstecker des Geräts ziehen.

Das Vorsicht-Symbol befindet sich an der in der untenstehenden Zeichnung gezeigten Position. Lesen Sie sich die Vorsichtsmaßnahmen sorgfältig durch, bevor Sie den Drucker in Betrieb nehmen.

**DIESES ZEICHEN WEIST AUF
GEFAHREN DURCH DIE „HOHE
TEMPERATUR“ DES DRUCKKOPFES
HIN.**



VORSICHT

Beachten Sie die folgenden Hinweise, um Fehlfunktionen zu vermeiden.

- Den Drucker nicht mit nicht ordnungsgemäß eingesetzter Papierrolle verwenden.
- Kein Papier verwenden, das nicht den Spezifikationen entspricht.
- **Mögliche Beeinträchtigung der Druckqualität.**
- Kein eingerissenes oder mit Klebestreifen zusammengefügt Papier verwenden.
- Nicht mit der Hand gewaltsam am bereits eingesetzten Papier ziehen.
- Das Papier nicht mit der Druckerabdeckung in den Drucker pressen.
- **Papierstau möglich. Informationen zur Fehlerbehebung finden Sie im Abschnitt „Beseitigen von Papierstaus“ in diesem Handbuch.**
- Die Tasten im Bedienungsfeld nicht mit scharfen oder spitzen Objekten betätigen.



Stellen Sie sicher, dass die Kabel ordnungsgemäß mit den Anschlüssen verbunden sind.

- **Bei Querschaltung kann es zu Beschädigungen der Druckerelektronik oder der Hardware des Host-Systems kommen.**

Schließen Sie den Drucker mit Geldlade-Kickout-Funktion ausschließlich an Geräte an, die ein Solenoid mit für die Geldlade-Kickout-Buchse geeigneten technischen Daten besitzen.

- **Bei Nichtbeachtung dieser Vorsichtsmaßnahme können Funktionsfehler und Störungen auftreten.**



Beachten Sie die folgenden Hinweise, um bei Ausfällen des Geräts Verletzungen und Beschädigungen zu vermeiden.

- Die Druckoberfläche des Thermokopfes nicht berühren.
- Berühren Sie während des Druckerbetriebs keine beweglichen Teile im Inneren des Druckers (z.B. Papierschneider, Zahnräder und aktivierte elektrische Bauteile).
- Versuchen Sie nicht, den Drucker bei etwaigen Problemen selbst zu reparieren. Verständigen Sie den CITIZEN SYSTEMS-Kundendienst.
- Achten Sie darauf, sich nicht an der Druckerabdeckung die Hand oder Finger einzuklemmen.
- Achten Sie darauf, sich nicht an scharfen Kanten im Drucker zu verletzen und daran keine anderen Gegenstände zu beschädigen.
- **Hier besteht Stromschlag-, Verbrennungs- und Verletzungsgefahr.**
- **Falls sich beim Drucken Rauch entwickelt oder der Drucker ungewöhnliche Gerüche oder Geräusche erzeugt, den Druckvorgang sofort abbrechen und den Netzstecker aus der Steckdose ziehen.**



TÄGLICHE WARTUNG

Beachten Sie bei der täglichen Wartung die folgenden Vorsichtsmaßnahmen:

- Vor dem Reinigen ist der Drucker stets auszuschalten und der Netzstecker zu ziehen.
- Zum Abwischen der Oberfläche des Druckergehäuses ein weiches, trockenes Tuch verwenden.
- Hartnäckige Verschmutzungen mit einem weichen Tuch entfernen, das leicht mit Wasser befeuchtet wurde.
- Verwenden Sie keine flüchtigen organischen Lösungsmittel wie Alkohol, Terpentin oder Benzol. Verwenden Sie keine chemisch behandelten Reinigungstücher
- Zum Entfernen von Papierstaub einen weichen Pinsel verwenden.
- Zum Transport des Druckers ist die Papierrolle aus dem Papierrollenhalter zu nehmen.



VORSICHT

- **Unmittelbar nach dem Drucken ist der Thermokopf sehr heiß, sodass Verbrennungsgefahr besteht. Warten Sie vor Wartungsarbeiten ab, dass der Thermokopf abgekühlt ist.**

1. ALLGEMEINE ÜBERSICHT

Das Modell CT-S300 ist ein kompakter Thermo-Zeilendrucker, der sich für verschiedene Terminallösungen eignet, darunter Daten-, POS- und Küchen-Terminals. Aufgrund seiner umfassenden Funktionen kann das Gerät mit einer Vielzahl von Anwendungen kombiniert werden.

1.1 Auspacken

Vergewissern Sie sich beim Auspacken des Druckers, dass alle nachstehend aufgeführten Teile vorhanden sind:

- Drucker: 1
- Netzteil (externes Netzteil): 1
- Netzkabel: 1
- Probe-Papierrolle: 1 Rolle
- Trennvorrichtung für 58-mm-Papierrollen: 1
- Benutzerhandbuch (das vorliegende Handbuch): 1



Drucker
(externes
Netzteil)



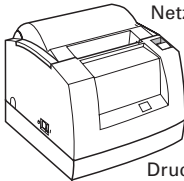
Netzteil
(externes Netzteil)



Netzkabel



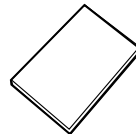
Trennvorrichtung für
58-mm-Papierrollen



Drucker
(Integriertes Netzteil)



Probe-Papierrolle



Benutzerhandbuch
(das vorliegende
Handbuch)

1.2 Modellklassifizierung

Die Modellbezeichnungen der Druckermodelle sind nach folgendem Schema aufgebaut:

CT - S300 - R F 230 A

Schnittstelle
R: Seriell, RS-232C-kompatibel
P: Parallel, IEEE 1284-kompatibel
U: USB

Zeichensatz
F: International

Black-Mark-Sensor für Rückseite
None: Ohne Sensor (Standard)
M1: Linker Black-Mark-Sensor
M2: Rechter Black-Mark-Sensor
Stromversorgung
A: Externes Netzteil
S: Integriertes Netzteil

Netzkabelspezifikationen
100: Für CA 100 V Wechselstrom
120: Für CA 120 V Wechselstrom
230: Für CA 230 V Wechselstrom

1.3 Grundlegende technische Daten

Gegenstand	Technische Daten	
Modell	CT-S300-RF120 CT-S300-PF120 CT-S300-UF120	CT-S300-RF230 CT-S300-PF230 CT-S300-UF230
Druckverfahren	Thermo-Zeilenpunktdruck	
Druckbreite	72 mm/576 Punkte, (48 mm/384 Punkte) *1	
Punktdichte	8 × 8 Punkte/mm (203 dpi)	
Druckgeschwindigkeit	130 mm/s (max., Standard-Druckdichte), 1040 Punktzeilen/s	
Anzahl Druckspalten *2 (gibt den Wert für 58-mm-Papier an.)	Schrift A: 48/42 (32/30) Spalten; 12 × 24 Punkte Schrift B: 64/56 (42/40) Spalten; 9 × 17 Punkte Schrift C: 72/63 (48/45) Spalten; 8 × 16 Punkte	
Zeichengröße	Schrift A: 1,50 × 3,00 mm Schrift B: 1,13 × 2,13 mm Schrift C: 1,00 × 2,00 mm	
Zeichentyp	Alphanumerische Zeichen, internationale Zeichen, Codeseiten PC437/ 850/852/857/858/860/863/864/865/866/WPC1252/Katakana/Thai-Code 18	
Benutzerspeicher	256 KB (Zum Speichern von benutzerdefinierten Zeichen und Logos)	
Strichcode-Typen	UPC-A/E, JAN (EAN) 13/8-Spalten, ITF, CODE 39, CODE 128, CODABAR, CODE 93	
Zeilenabstand	4,23 mm (1/6 Zoll)	
Papierrolle	Thermopapierrolle: 80 ⁺⁰ ₋₁ mm/58 ⁺⁰ ₋₁ mm × φ83 mm Papierstärke: 65-75 µm	
Schnittstellen	Seriell, (RS-232C-kompatibel), Parallel (IEEE 1284-kompatibel), USB	
Geldlade-Kickout-Buchse	2 Fächer werden unterstützt	
Eingangspufferspeicher	4k bytes/45 bytes	
Versorgungsspannung	24 V Gleichstrom ±7%	
Leistungsaufnahme	Ca. 70 W (im Normaldruckbetrieb)	
Netzteil	Nenneingang: AC bis 240 V, 50/60 Hz, 150 VA Nennausgang: DC 24 V, 2A 35AD-U 35AD-E	
Gewicht	Ca. 1,2 kg	
Äußere Abmessungen	145 (B) × 195 (T) × 121 (H) mm (externes Netzteil) 145 (B) × 195 (T) × 159 (H) mm (Integriertes Netzteil)	
Betriebstemperatur und Feuchtigkeit	5 bis 40 °C, 35 bis 85 % relative Luftfeuchtigkeit (kondensationsfrei)	
Lagertemperatur und Feuchtigkeit	-20 bis 60°C, 10 bis 90 % relative Luftfeuchtigkeit (kondensationsfrei)	
Zuverlässigkeit	Lebensdauer Druckkopf: 100 km, 1 × 10 ⁸ Impulse (normale Temperatur/ Luftfeuchtigkeit, empfohlenes Papier) Lebensdauer autom. Papierschneider: 1.000.000 Schneidvorgänge (normale Temperatur/Luftfeuchtigkeit, empfohlenes Papier)	
Sicherheitsstandard *3	UL, C-UL, FCC-Klasse A	TÜV, GS, CE-Zeichen

Anmerkungen:

*1: Bei Verwendung einer 58 mm breiten Papierrolle (durch Benutzer wählbar)

*2: Die Anzahl ausdrückbarer Spalten wird per DIP-Schalter eingestellt.

*3: Erfüllte Sicherheitsnormen bei Verwendung der von CITIZEN SYSTEMS hergestellten externen Netzteile (Serie 35AD).

2. ERLÄUTERUNG DER DRUCKERKOMPONENTEN

2.1 Ansicht des Druckers

Ausführung mit externem Netzteil

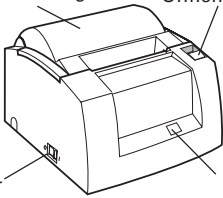
(Vorderansicht)

Papierabdeckung

Abdeckung-
Öffnen-Hebel

Netzschalter

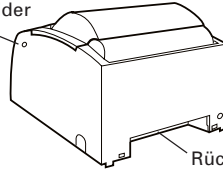
Bedienungsfield



(Rückansicht)

Zugangsöffnung für
Papierschneider

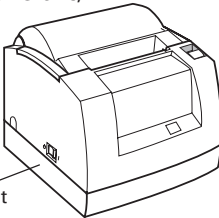
Rückwärtiger
Anschluss



Ausführung mit integriertem Netzteil

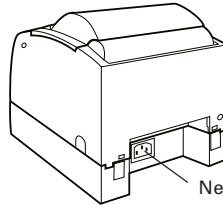
(Vorderansicht)

Netzteilereinheit



(Rückansicht)

Netzanschluss



Bedienungsfield



BETRIEBS-LED

FEHLER-LED

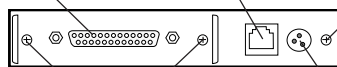
Vorschubtaste (FEED)

Rückwärtige Anschlüsse

Schnittstellenanschluss
(seriell, parallel, usw.)

Geldlade-
Kickout-Buchse

Erdungsklemme für
Geldlade-Kickout



Montageschrauben für
Schnittstellen

Netzanschluss

Papierabdeckung/Innenseite

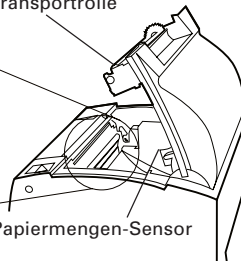
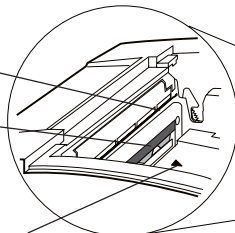
Automatischer
Papierschneider

Druckkopf
(thermisch)

Papierensensor

Papiertransportrolle

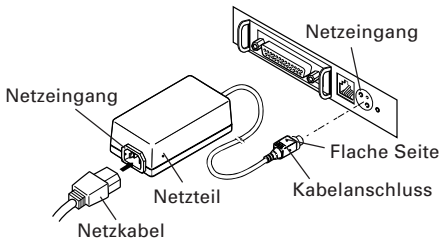
Papiermengen-Sensor



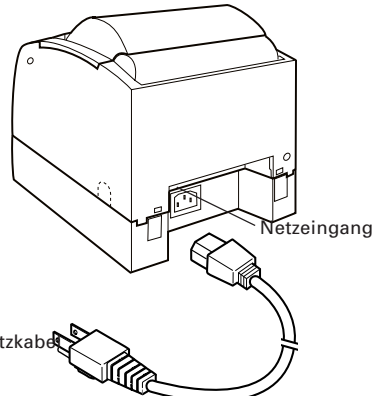
3. VORBEREITUNG

3.1 Anschließen des Netzteils und Netzkabels

1. Schalten Sie den Drucker aus.
2. Nur für Ausführung mit externem Netzteil: Schließen Sie den Gleichstromstecker des Netzteils mit der flachen Seite nach oben an die Gleichstrombuchse auf der Rückseite des Druckers an.
3. Schließen Sie das Netzkabel an den Netzeingang und den Netzstecker des Netzkabels an eine geeignete Steckdose an.



**Ausführung mit
externem Netzteil**



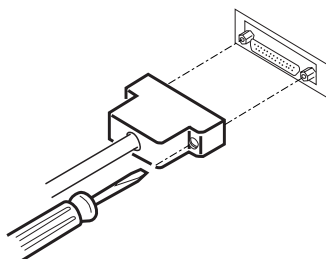
Ausführung mit integriertem Netzteil

VORSICHT!

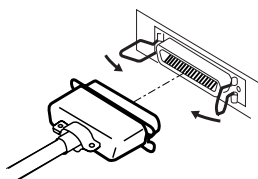
- Verwenden Sie für den Drucker ausschließlich das angegebene externe Netzteil.
- Ziehen Sie beim Abziehen von Kabeln nicht am Kabel selbst, sondern stets am Stecker.
- Das Netzteil darf sich nicht in der Nähe von Geräten befinden, die starke Störstrahlung abgeben.
- Ziehen Sie nicht am Stromkabel. Andernfalls kann es zur Unterbrechung der Stromversorgung sowie Stromschlag- und Brandgefahr kommen.
- Ziehen Sie bei Gewitter das Netzkabel aus der Steckdose. Andernfalls besteht Brand- und Stromschlaggefahr.
- Verlegen Sie das Stromkabel nicht in der Nähe von Heizgeräten. Andernfalls kann die Isolierung des Netzkabels beschädigt werden, wodurch Brand- und Stromschlaggefahr entsteht.
- Ziehen Sie bei anhaltender Nichtbenutzung des Geräts den Netzstecker aus der Steckdose.

3.2 Anschließen der Schnittstellenkabel

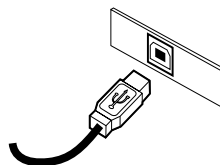
Schalten Sie den Drucker aus und ziehen Sie den Netzstecker. Schließen Sie anschließend das Schnittstellenkabel an. Richten Sie das Ende des Schnittstellenkabels ordnungsgemäß aus, und verbinden Sie es mit dem Schnittstellenanschluss. Bei der Ausführung mit integrierter Stromversorgung ist die Stromeinheit vor dem Anschließen zu entfernen.



Serielle Schnittstelle



Parallele Schnittstelle



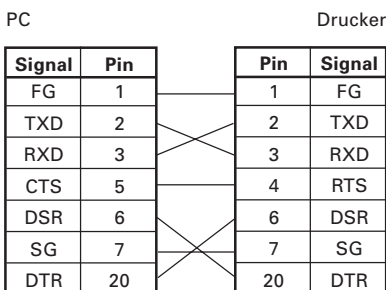
USB-Schnittstelle

VORSICHT!

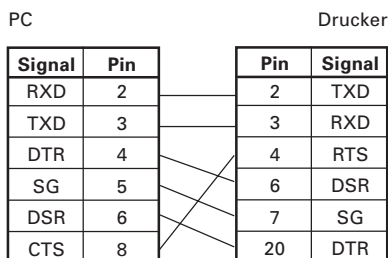
Beim Abziehen des Kabels stets den Stecker greifen.

Für das Schnittstellenkabel sind folgende Anschlussstypen erforderlich:

25-Pin – 25-Pin-Kabel

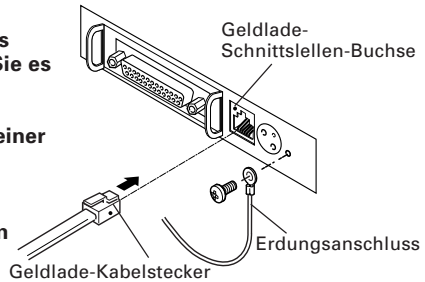


9-Pin – 25-Pin-Kabel



3.3 Anschließen der Geldlade

1. Schalten Sie den Drucker aus.
2. Richten Sie das Ende des Fächerkabels ordnungsgemäß aus, und verbinden Sie es mit dem Geldlade-Anschluss auf der Rückseite des Druckers.
3. Befestigen Sie den Erdungsleiter mit einer Schraube am Massestützpunkt (Erdungsanschluss) des Druckers.
Bei der Ausführung mit integriertem Netzteil ist die Netzteileneinheit vor dem Anschließen zu entfernen.



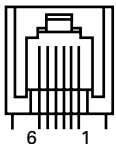
VORSICHT!

Schließen Sie an die Geldlade-Buchse keine anderen Geräte als das vorgeschriebene Fach (Solenoid) an. (Auch keine Telefonleitungen anschließen.)

Bei der Ausführung mit integrierter Stromversorgung ist die Stromeinheit vor dem Anschließen zu entfernen.

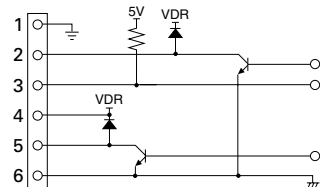
- (1) Pin-Konfiguration des Anschlusses

Pin-Belegung	Signal	Funktion
1	FG	Gehäuseerdung
2	DRAWER 1	Steuersignal Geldlade 1
3	DRSW	Geldlade-Schaltereingang
4	VDR	Stromversorgung für Geldladeantrieb
5	DRAWER 2	Steuersignal Geldlade 2
6	GND	Gemeinsame Erdungskreise



Verwendete Buchse:
TM5RJ3-66 (Hirose)
oder äquivalent
Verwendbare Buchse:
TM3P-66P (Hirose)
oder äquivalent

- (2) Elektrische Eigenschaften
- 1) Treiberspannung: 24 V Gleichstrom
 - 2) Treiberstrom: Ca. 1 A max. (darf 510 ms nicht überschreiten)
 - 3) DRSW-Signal: Signalpegel: „L“ = 0 bis 0,5 V, „H“ = 3 bis 5 V
- (3) DRSW-Signal
Der DRSW-Signalstatus kann mit den Befehlen DLE+EOT, GS+a oder GS+r bzw. an Stift 34 des parallelen Schnittstellenports geprüft werden.
- (4) Treiberkreis



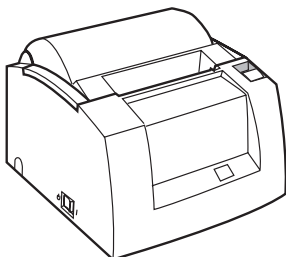
VORSICHT!

- Während des Druckens wird keine Ausgangsgröße erzeugt.
- Die Geldladen 1 und 2 können nicht gleichzeitig gesteuert werden.
- Für die Fächer ist ein Solenoid mit mindestens 24 Ω zu verwenden. Der Ausgangsstrom ist auf max. 1A zu begrenzen; andernfalls kann es zu Beschädigungen und Festbrennen kommen.

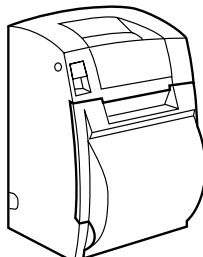
3.4 Aufstellen des Druckers

Der Drucker kann horizontal oder vertikal aufgestellt sowie an Wänden montiert werden. Bei Lieferung ist der Drucker standardmäßig für die horizontale Installation vorbereitet. Bei vertikaler Aufstellung oder Wandmontage sind folgende Anpassungen erforderlich:

1. **Anpassung der Position des Papiermengensensors (siehe Abschnitt 3.7)**
2. **GummifüÙe (für vertikale Installation)**
3. **Optionales Wandmontageset (für Wandmontage)**
4. **Rechtwinkliges Netzkabel (optional, zur vertikalen Installation der Ausführung mit integriertem Netzteil)**



Horizontale Position



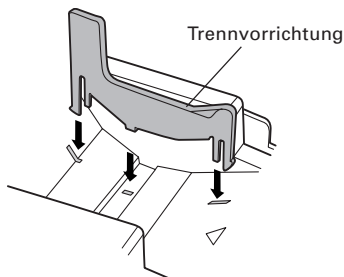
Vertikale Position

VORSICHT!

- Bei Verwendung in senkrechter Stellung fällt das vom Drucker ausgegebene Papier nicht natürlich herunter, auch bei vollem Abschneiden. Bei der Verwendung mit zugehörigen Geräten usw. muss dies beachtet werden.
- Bei Verwendung in horizontaler Einstellung vermeiden Sie volles Schneiden. Andernfalls kann das abgeschnittene Papier in die Schneidvorrichtung fallen und zu Doppelschnitt und schmalen Papierstreifen führen. Dadurch kann Papierstau verursacht werden.

3.5 Trennvorrichtung für 58-mm-Papierrollen

1. **Schalten Sie den Drucker aus.**
2. **Öffnen Sie die Papierabdeckung.**
3. **Setzen Sie die mitgelieferte Trennvorrichtung wie in der Abbildung gezeigt ein.**
4. **Ändern Sie die Einstellung gemäß der Beschreibung im Abschnitt „Manuelle Einstellung von Speicher-Switches“ auf 58 mm.**

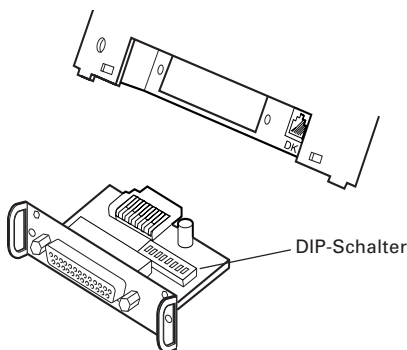


VORSICHT!

Wenn der Drucker auf 58-mm-Papier eingestellt ist, dürfen keine anderen Papierformate verwendet werden.

3.6 Einstellen der DIP-Schalter

Die serielle Schnittstelle verfügt über einen DIP-Schalter. Entfernen Sie die Befestigungsschrauben, nehmen Sie das Schnittstellenmodul heraus, und stellen Sie den DIP-Schalter ein. Nachstehend finden Sie eine Darstellung der einzelnen Schalterpositionen.



Schalter position	Funktion	AN	AUS	Standardeinstellung
1	Wählt die Einstellung für die Schnittstelle aus	Je nach der DIP-Schalter-Einstellung	Je nach Einstellung der Speicher-Switches	AN
2	Handshake	XON/XOFF	DTR/DSR	AUS
3	Bitlänge	7 Bits	8 Bits	AUS
4	Paritätsprüfung	Mit Parität	Ohne	AUS
5	Paritätsauswahl	Gerade Parität	Ungerade Parität	AUS
6	Auswahl der Baudrate	Siehe untenstehende Tabelle		AN
7				AN
8	INIT	Reset	Ungültig	AUS

Auswählen der Baudrate

Baudrate (Bit/s)	Schalterposition	
	6	7
2400	OFF	OFF
4800	ON	OFF
9600	OFF	ON
19200	ON	ON

Der Wert von 38.400 Bit/s Sekunde kann auch über Befehle oder sonstig aktiviert werden.

3.7 Einstellen des Papiermengensensors

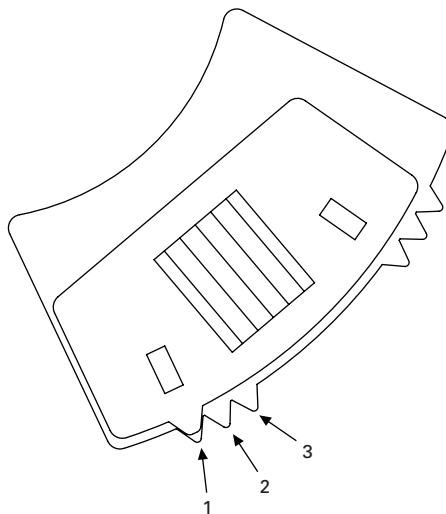
1. Drücken Sie die Papiermengensensor-Einheit nach innen.
2. Bewegen Sie das Papier im Bereich des Papiermengensensors dabei leicht nach links und rechts. Die festzulegende Position hängt von den Druckereinstellungen (horizontal oder vertikal) und dem Durchmesser der Papierrolle ab (siehe nachstehende Abbildung).

Sensorposition	Aufstellung	Papierrollen-Innendurchmesser (mm)
1	Horizontal	φ22
2		φ24
3		φ27
3	Vertikal (Wandmontage)	φ22
2		φ24
1		φ27



VORSICHT!

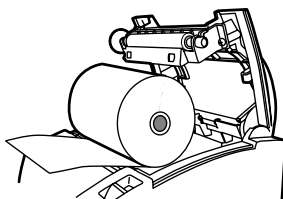
- Die angegebene Restpapiermenge (Außendurchmesser der Papierrolle) dient nur als ungefähre Orientierungshilfe, da die tatsächlichen Maße je nach verwendeter Papierrolle abweichen können.
- Der Außendurchmesser der Papierrolle dient lediglich als Referenz.
- Der empfohlene Außendurchmesser der Papierrolle ist φ18. Wenn allerdings die Verwendung einer Papierrolle mit einem Durchmesser von φ22 unvermeidbar ist, können die Einstellungen bei "1" für horizontale Positionierung und "3" für vertikale Positionierung nicht verwendet werden.



4. WARTUNG UND FEHLERBEHEBUNG

4.1 Einsetzen/Auswechseln von Papierrollen

1. Öffnen Sie die Abdeckung bis zum Anschlag.
2. Öffnen Sie die Papierabdeckung.
3. Setzen Sie eine Papierrolle wie in der Abbildung dargestellt mit dem Druckbereich nach oben in das Gerät ein und ziehen Sie das Papierende einige cm aus dem Druckergehäuse heraus.
4. Schließen Sie die Papierabdeckung, sodass sie hörbar einrastet.



VORSICHT!

- Verwenden Sie ausschließlich die angegebenen Papierrollentypen.
- Stellen Sie sicher, dass die Einstellung dem Papierrollentyp entspricht.
- Wenn das Papier schräg abläuft und nicht gerade unter der Abdeckung hervorragt, öffnen Sie die Abdeckung, und richten Sie das Papier ordnungsgemäß aus.
- Drücken Sie leicht auf die Mitte der Abdeckung, um sie fest zu verschließen.

WARNHINWEIS

Achten Sie darauf, bei geöffneter Papierabdeckung nicht den Druckkopf oder das Papiermesser zu berühren. Andernfalls könnten Sie sich die Hände verbrennen oder sonstig verletzen.

4.2 Beseitigen von Papierstaus

1. Schalten Sie den Drucker aus.
2. Öffnen Sie die Papierabdeckung.
Wenn das Papiermesser durch den Papierstau blockiert ist, versuchen Sie nicht, die Papierabdeckung gewaltsam zu öffnen. Beachten Sie die Hinweise in Abschnitt 4.4, setzen Sie das Messer auf die normale Position zurück, und öffnen Sie anschließend die Abdeckung.
3. Entfernen Sie das gestaute Papier einschließlich aller verbleibenden Papierschnitzel. (Entnehmen Sie dazu die Papierrolle aus der Halterung.)
4. Schalten Sie den Drucker ein. Daraufhin wird der automatische Schnittmechanismus initialisiert; der Alarm wird deaktiviert.

VORSICHT!

Unmittelbar nach dem Drucken ist der Druckkopf noch sehr heiß. Vermeiden Sie es, den Druckkopf mit der Hand zu berühren. Berühren Sie das Heizelement des Druckkopfes nicht mit bloßen Händen oder mit Metallgegenständen.

4.3 Reinigen des Druckkopfes

1. Schalten Sie den Drucker aus.
2. Öffnen Sie die Papierabdeckung.
3. Warten Sie einige Minuten ab. Reinigen Sie das Heizelement des Druckkopfes mit einem leicht mit Ethylalkohol befeuchteten Wattebausch von Staub und sonstigen Verschmutzungen.

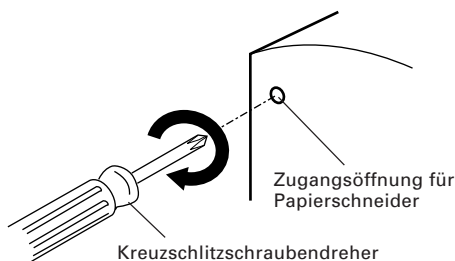
VORSICHT!

Unmittelbar nach dem Drucken ist der Druckkopf noch sehr heiß. Vermeiden Sie es, den Druckkopf mit der Hand zu berühren. Berühren Sie das Heizelement des Druckkopfes nicht mit bloßen Händen oder mit Metallgegenständen.

4.4 Vorgehensweise, wenn sich die Papierabdeckung nicht öffnen lässt

Wenn das Papiermesser aufgrund einer Störung blockiert ist, kann die Papierabdeckung nicht angehoben werden.

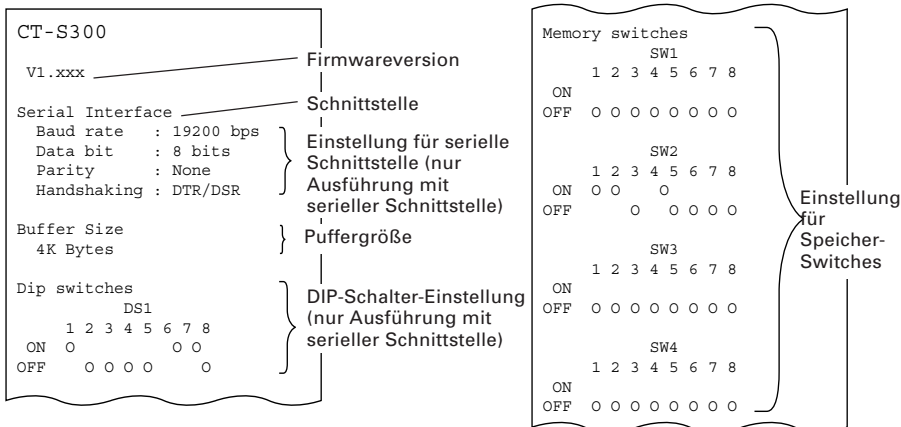
In diesem Fall darf die Papierabdeckung nicht gewaltsam geöffnet werden. Führen Sie einen Kreuzschlitz-Schraubendreher in die Zugangsöffnung für den Papierschneider ein, und drehen Sie die Schraube in Pfeilrichtung (im Uhrzeigersinn).



Drehen Sie die Schraube, bis Sie feststellen, dass beide Enden des Messers maximal abgesenkt sind. Öffnen Sie anschließend die Abdeckung und befolgen Sie die Hinweise zur Behebung von Papierstaus bzw. der Störung.

4.5 Statusausdruck

Legen Sie Papier in den Drucker ein. Schalten Sie den Drucker bei gedrückter Vorschubtaste (FEED) ein. Halten Sie die Taste für ca. eine Sekunde gedrückt, und lösen Sie sie anschließend. Der Drucker druckt eine Reihe von Statusdaten aus: die Modellbezeichnung, Version, die Einstellung des DIP-Schalters, die Einstellungen für die Speicher-Switches sowie die integrierten Schriften.



4.6 Hexdump-Druckverfahren

Mit Hilfe dieser Funktion können alle empfangenen Daten in Hexadezimalzeichen ausgedruckt werden. Wenn Probleme mit fehlenden oder duplizierten Daten usw. auftreten, können Sie mit dieser Funktion überprüfen, ob der Drucker die Daten korrekt empfängt.

Führen Sie Papier in den Drucker ein und lassen Sie die Papierabdeckung geöffnet. Schalten Sie den Drucker bei gedrückter Vorschubtaste (FEED) ein, und schließen Sie die Papierabdeckung. Der Drucker druckt die Zeichenfolge „HEX dump print mode“, die empfangenen Daten in Hexadezimalzeichen sowie einige weitere Zeichen aus.



VORSICHT!

- Wenn für einzelne Daten keine Zeichen verfügbar sind, wird für diese als Platzhalter „ . “ gedruckt.
- Beim Hexdump-Druckverfahren sind mit Ausnahme weniger Befehle die meisten Funktionen nicht verfügbar.
- Wenn die empfangenen Daten keine ganze Zeile ausfüllen, betätigen Sie zum Drucken der Zeile einmalig die Vorschubtaste (FEED).

Der Hexdump-Modus wird beendet, wenn Sie den Drucker ausschalten, drei Mal aufeinanderfolgend die Vorschubtaste (FEED) drücken oder der Drucker nach Ende des Hexdumps über die Schnittstelle ein Rücksetzsignal empfängt.

Beispielausdruck

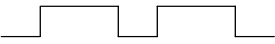









```

HEX DUMP PRINT MODE
1B 21 00 1B 20 04 41 42 43 44 .!.. .ABCD
45 46 47 48 49 4A 4B 4C 4D 4E EFGHIJKLMN
4F 50 0D 0A 31 32 33 0D 0A OP..123..
    
```

4.7 Fehleranzeige

- **Papierende**
Die Papiermengenanzeige arbeitet in zwei Schritten: wenig Papier und Papierende. In beiden Fällen beginnt die Fehler-LED zu leuchten. Wenn das Papierende erkannt wird, müssen Sie Papier nachfüllen. Bei geöffneter Papierabdeckung wird ebenfalls das Papierende angezeigt.
- **Papierabdeckung offen**
Während des Druckvorgangs darf die Papierabdeckung nicht geöffnet werden. Wenn Sie die Abdeckung irrtümlich öffnen, beginnt die Fehler-LED zu blinken. Vergewissern Sie sich, das ausreichend Papier vorhanden ist, und schließen Sie die Abdeckung. Der Druckvorgang wird automatisch fortgesetzt.
- **Druckkopf überhitzt**
Wenn Sie dichte Zeichensätze oder dunkle Bilder drucken, steigt die Temperatur des Druckkopfes an. Wenn eine bestimmte Temperatur überstiegen wird, unterbricht das Gerät den Druckvorgang, bis der Druckkopf ausreichend abgekühlt ist. Während des Abkühlens blinkt die Fehler-LED. Wenn die Temperatur des Druckkopfes ausreichend abgesunken ist, wird der Druckvorgang automatisch fortgesetzt.
- **Messer blockiert**
Wenn der Papierschneider aufgrund von Papierstaus usw. blockiert wird, beginnt die Fehler-LED zu blinken. Beseitigen Sie die Fehlerursache, und betätigen Sie anschließend die Vorschubtaste (FEED). Wenn das Messer blockiert bleibt und die Abdeckung sich nicht wie oben beschrieben öffnen lässt, befolgen Sie die Hinweise zum Öffnen der Papierabdeckung in Abschnitt 4.4.
- **Black-Mark-Erkennungssensor (nur im Black-Mark-Modus)**
Wenn eine Black Mark nicht erkannt werden kann, auch wenn ein bestimmter Grad an Papiervorschub für Black-Mark-Erkennung ausgeführt wird, tritt ein Black-Mark-Erkennungsfehler auf. Wenn Black-Mark-Erkennung länger als über den vorgeschriebenen Zeitraum abläuft, wird ein Papier-Verbraucht-Zustand angenommen, und der gleiche Fehler wie bei Papier verbraucht wird angezeigt.

Nachstehend finden Sie Erläuterungen zum Status der Fehler-LED bei allen Fehlern einschließlich des o.g.:

Status	Betriebs-LED	Fehler-LED	Signal-tongeber
Papierende	Leuchtet	Leuchtet	○
Wenig Papier	Leuchtet	Leuchtet	
Abdeckung offen	Leuchtet	Leuchtet	○
Abdeckung offen *1	Leuchtet		○
Messer blockiert	Leuchtet		○
Druckkopf überhitzt	Leuchtet		
Speicherprüffehler		Leuchtet	
Unterspannung	Leuchtet		
Überspannung	Leuchtet		
Summenprüffehler			
Makroausführung *2	Leuchtet		
Black-Mark-Erkennungssensor	Leuchtet		○

*1: Während des Druckvorgangs.

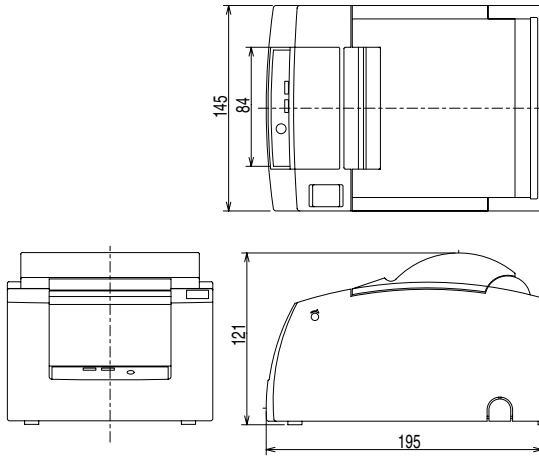
*2: Beim Ausführen von Makros beginnt die Fehler-LED möglicherweise zu blinken.

5. SONSTIGES

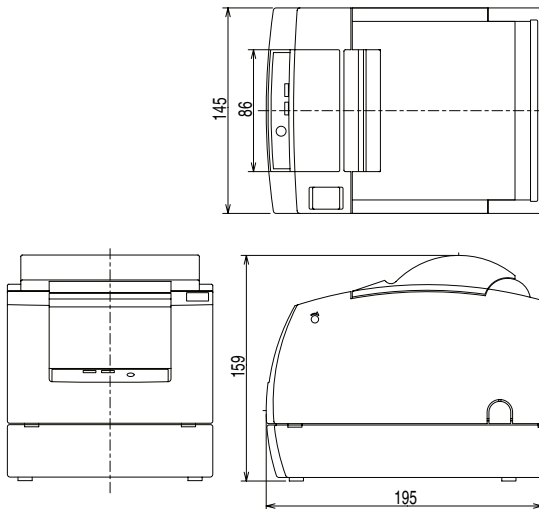
5.1 Äußere Ansicht und Abmessungen

(Einheit: Millimeter)

Ausführung mit externem Netzteil



Ausführung mit integriertem Netzteil



5.2 Manuelle Einstellung von Speicher-Switches

Die Speicher-Switches können sowohl manuell als auch über Befehle eingestellt werden. Informationen zur manuellen Belegung finden Sie auf der nächsten Seite.

Nachstehend finden Sie eine Darstellung der einzelnen Speicher-Switches.

(Die **Weiß-auf-Schwarz gedruckter Einträge** geben die Werkseinstellungen an.)

Switch-Nr.	Einstellung	0 (AUS)	1 (AN)
Memory SW1-1	Power ON Info	Send	Not send
Memory SW1-2	Buffer Size	4k bytes	45 bytes
Memory SW1-3	Busy Condition	Full/Err	Full
Memory SW1-4	Receive Error	Print "?"	No Print
Memory SW1-5	CR mode	Ignored	LF
Memory SW1-6	Reserved	Fixed	-
Memory SW1-7	DSR Signal	Invalid	Valid
Memory SW1-8	Init Signal	Invalid	Valid
Memory SW2-1	Reserved	-	Fixed
Memory SW2-2	Auto Cutter	Invalid	Valid
Memory SW2-3	Spool Print	Invalid	Valid
Memory SW2-4	Full Col Print	CBM1000	EPSON
Memory SW2-5	Resume aft PE	Next	Top
Memory SW2-6	Paper width	80 mm	58 mm
Memory SW2-7	Reserved	Fixed	-
Memory SW2-8	NPE Sensor	Valid	Invalid
Memory SW3-1	Resum Ctrr Err	Feed S/W	Command
Memory SW3-2	Resum Open Err	Close	Command
Memory SW3-3	Parallel 31 Pin	Valid	Invalid
Memory SW3-4	Paper Select	Thermal	Black MK
Memory SW3-5	Column Number	48/32 col	42/30 col
Memory SW3-6	No use	Fixed	-
Memory SW3-7	CBM1000 Mode	Invalid	Valid
Memory SW3-8	Open w/Printing	Auto	Manual
Memory SW4-1	Auto Length	Invalid	Valid
Memory SW4-2	BM Sensor	Surface	Back
Memory SW4-3	No use	OFF	Fixed
Memory SW4-4	No use	OFF	Fixed
Memory SW4-5	No use	OFF	Fixed
Memory SW4-6	No use	OFF	Fixed
Memory SW4-7	No use	OFF	Fixed
Memory SW4-8	Full Cut Cmd	Full Cut	Partial

Manuelle Einstellung von Speicher-Switches (Speicher-SW)

Um Speicher-Switches auszuwählen, anzupassen oder zu schreiben, führen Sie folgende drei Schritte aus: Drücken Sie die Vorschubtaste (FEED) und halten Sie sie gedrückt, und öffnen oder schließen Sie die Papierabdeckung.

1. Aktivieren des Einstellmodus für Speicher-Switches.

Führen Sie Papier in den Drucker ein und lassen Sie die Papierabdeckung geöffnet. Schalten Sie den Drucker bei gedrückter Vorschubtaste (FEED) und drücken Sie anschließend zweimal auf die Vorschubtaste. Schließen Sie die Abdeckung. Wenn der Drucker daraufhin die aktuellen Einstellungen der Speicher-Switches usw. ausdruckt, wurde der Einstellmodus erfolgreich aktiviert.

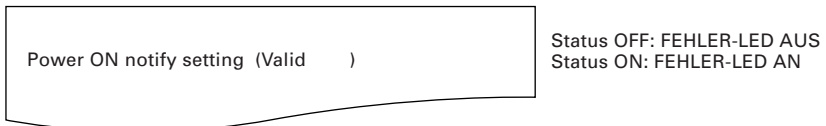


2. Auswählen von Speicher-Switches

Wenn die Vorschubtaste (FEED) kurz nacheinander gedrückt wird (innerhalb von 2 Sekunden), werden die Daten wiederholt in der Reihenfolge „Memory SW1“ → „Memory SW2“ → „Memory SW3“ → „Memory SW4“ → „Write/Factory Setting“ → „Memory SW1“ → ausgedruckt. Wenn der gewünschte Speicher-Switch erreicht ist, betätigen Sie die Vorschubtaste (FEED) und halten Sie sie für mehr als 2 Sekunden gedrückt.

3. Auswählen aller Switch-Elemente

Jeder Switch verfügt über acht einstellbare Elemente. Wenn Sie die Vorschubtaste (FEED) betätigen und länger gedrückt halten, wechselt der Drucker zum nächsten Element und druckt dessen aktuelle Einstellungen aus. Wiederholen Sie den Vorgang solange, bis das Element, dessen Einstellungen Sie ändern möchten, erreicht ist.



4. Anpassen von Einstellungen

Wenn das gewünschte Element erreicht ist, drücken Sie kurz die Vorschubtaste (FEED). Der geänderte Wert wird ausgedruckt. (Um zur vorherigen Einstellung zurück zu gelangen, drücken Sie kurz die Vorschubtaste (FEED)). Wenn Sie die Vorschubtaste gedrückt halten, wird der Wert der Einstellung übernommen und der Drucker geht zum nächsten Element über.

5. Zurückkehren zum Einstellmodus für Speicher-Switches

Wenn Sie die gewünschten Einstellungen vorgenommen haben, öffnen Sie die Papierabdeckung, und schließen Sie sie anschließend wieder. Daraufhin werden die geänderten Einstellungen für den Speicher-Switch wirksam.

6. Speichern der Einstellung und verlassen des Einstellmodus für Speicher-Switches

Betätigen Sie kurz die Vorschubtaste (FEED), um zum Eintrag „Write/Factory Setting“ zu gelangen. Drücken Sie anschließend die Vorschubtaste (FEED), und halten Sie sie gedrückt. Der Drucker druckt die neue Einstellung aus und verlässt den Einstellmodus für Speicher-Switches, um in den normalen Ruhemodus überzugehen.

* Damit die geänderte Einstellung wirksam wird, müssen Sie sie speichern.

7. Initialisieren des Speicher-Switches

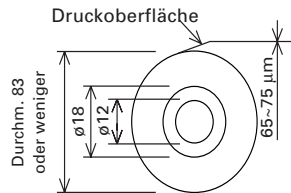
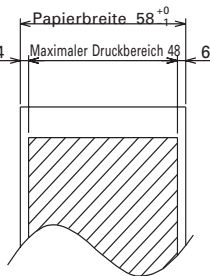
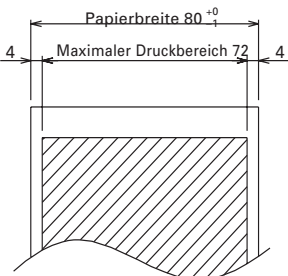
Wenn Sie einen Speicher-Switch auf die Standardeinstellungen zurücksetzen möchten, gehen Sie wie zuvor beschrieben zum Eintrag „Write/Factory Setting“. Öffnen Sie anschließend die Papierabdeckung, betätigen Sie die Vorschubtaste (FEED), und halten Sie sie gedrückt. Daraufhin wird der Drucker auf die Standardeinstellungen zurückgesetzt.

* Alle Speicher-Switches werden auf die Werkseinstellungen zurückgesetzt.

5.3 Druckpapier

Verwenden Sie die in der nachstehenden Tabelle genannten Papiertypen oder Papier gleichwertiger Qualität.

Papiertyp	Produktbezeichnung
Empfohlene Thermopapierrolle	TD50KS-E2D von Nippon Paper KF50-HAD, PD150R, PD160R von Ohji Paper F220VP, HP220A von Mitsubishi Paper



Einheit: mm

VORSICHT!

Verwenden Sie das Papier mit dem Start der Wicklung zur Kernrolle wie unten beschrieben.

- Keine Falzlinie vorhanden, und das Papier ist entlang des Innendurchmessers.
- Keine Hochdrehung ist vorhanden.
- Keine Festklebung am Kern ist vorhanden.
- Außenwicklung (Druckseite außen) wird verwendet.

ITALIANO

SOMMARIO

1. DESCRIZIONE GENERALE	8
1.1 Disimballo	8
1.2 Categoria modello	8
1.3 Specifiche di base	9
2. SPIEGAZIONE DEI COMPONENTI DELLA STAMPANTE	10
2.1 Aspetto esterno della stampante	10
3. FUNZIONAMENTO	11
3.1 Collegamento dell'adattatore c.a. e del cavo di alimentazione	11
3.2 Collegamento dei cavi di interfaccia	12
3.3 Collegamento del cassetto	13
3.4 Sistemazione della stampante	14
3.5 Divisorio per il rotolo di carta da 58 mm	14
3.6 Regolazione del contatto DIP	15
3.7 Regolazione del sensore di quasi-fine carta	16
4. MANUTENZIONE E ASSISTENZA	17
4.1 Sistemazione/sostituzione dei rotoli di carta	17
4.2 Rimozione della carta incastrata	17
4.3 Pulizia della testina di stampa	18
4.4 Quando il coperchio non può essere aperto	18
4.5 Stampa automatica (Autotest)	19
4.6 Copia memoria esadecimale	19
4.7 Indicazione degli errori	20
5. ALTRI	21
5.1 Viste e dimensioni esterne	21
5.2 Regolazione manuale dei microinterruttori di memoria	22
5.3 Carta di stampa	24

PRECAUZIONI GENERALI

- Dopo aver letto il presente manuale, conservarlo in un luogo sicuro e di facile accesso per l'utilizzo futuro.
- Le informazioni contenute in questo documento sono soggette a modifiche senza preavviso.
- Nessuna parte di questo documento può essere riprodotta o trasferita senza il consenso scritto della CITIZEN SYSTEMS.
- Si prega di prendere nota che CITIZEN SYSTEMS non è responsabile per qualsiasi risultato operativo dipendente da mancanza, errore o difetto di stampa di questo manuale.
- CITIZEN SYSTEMS non è responsabile per nessun problema causato dall'utilizzo delle opzioni o prodotti consumabili che non sono indicati in questo manuale.
- Salvo diversamente specificato nel presente manuale, non svolgere senza autorizzazione operazioni di manutenzione, smontaggio o riparazione del prodotto.
- CITIZEN SYSTEMS non sarà responsabile per qualsiasi tipo di danno riconducibile al funzionamento/trattamento non corretto o all'utilizzo in ambienti inadeguati, non specificati in questo manuale.
- I dati sono principalmente destinati ad un utilizzo temporaneo e non vengono memorizzati per un lungo periodo o in modo permanente.
CITIZEN SYSTEMS non è responsabile per eventuali danni o perdite di profitto derivanti dalla perdita di dati causata da incidenti, riparazioni, test o altro.
- Se osservate una perdita di informazioni, errori o fatti incerti, vi preghiamo di contattare il vostro fornitore CITIZEN SYSTEMS.
- Se trovate qualsiasi pagina in disordine o mancante, vi preghiamo di contattare il vostro fornitore CITIZEN SYSTEMS per effettuare la sostituzione.

PRECAUZIONI DI SICUREZZA ... CHE DOVREBBERO ESSERE OSSERVATE RIGOROSAMENTE

Prima di utilizzare il prodotto per la prima volta, leggere attentamente le PRECAUZIONI DI SICUREZZA. Un funzionamento non corretto potrebbe essere causa di incidenti (incendi, scosse elettriche o ferite).

- Dopo aver letto il presente manuale, conservarlo in un luogo sicuro e di facile accesso per l'utilizzo futuro.
- Alcune delle descrizioni contenute in questo manuale potrebbero non essere rilevanti per alcuni modelli di stampante.

Per evitare il rischio di lesioni ad operatori e a terzi o danni a oggetti, nel presente manuale vengono usati speciali simboli di avvertenza per indicare punti importanti che richiedono una stretta osservanza.

Quanto segue è la descrizione del livello di rischio e di danno che potrebbe verificarsi se la stampante non viene azionata correttamente, ignorando le istruzioni fornite dai simboli di avvertenza.

AVVERTENZA

La mancata osservanza delle precauzioni indicate da questo simbolo potrebbe causare lesioni mortali o gravi.

ATTENZIONE

La mancata osservanza delle precauzioni indicate da questo simbolo potrebbe provocare lesioni o danni a oggetti.



Questo simbolo viene usato per richiamare l'attenzione su punti importanti.



Questo simbolo viene usato per richiamare l'attenzione sul pericolo di scosse elettriche o di danno elettrostatico.



Questo simbolo denota la necessità di scollegare la stampante dalla presa a muro.



Questo simbolo è utilizzato per indicare le "informazioni" sull'impiego o altre cose simili.



Questo simbolo viene usato per indicare operazioni vietate.

AVVERTENZA

Non utilizzare o depositare questo prodotto in un luogo dove potrebbe essere esposto a:

- Fiamme o umidità
- Luce solare diretta
- Correnti d'aria calda o radiazioni provenienti da un dispositivo di riscaldamento
- Aria salmastra o gas corrosivi
- Ambiente mal ventilato
- Reazioni chimiche di laboratorio
- Olio, particelle di acciaio o polvere trasportati dall'aria
- Eletticità statica o forti campi magnetici
- **La mancata osservanza di queste avvertenze potrebbe causare guasti alla stampante, surriscaldamento, emissione di fumo, incendio o scosse elettriche.**



Non lasciar cadere oggetti estranei e non versare liquidi all'interno della stampante. Inoltre, non depositare nessun oggetto sulla stampante.

- Non lasciar cadere nessun oggetto metallico come graffette, punti o viti all'interno della stampante.
- Non depositare sulla stampante portafiori, vasi o tazze contenenti acqua.
- Non versare nella stampante caffè, bibite o qualsiasi altro tipo di liquido.
- Non spruzzare sulla stampante insetticidi o qualsiasi altro liquido chimico.
- **Un oggetto estraneo metallico, se lasciato accidentalmente cadere nella stampante, può provocare il malfunzionamento della stessa, incendio o scosse elettriche. Nel caso in cui si verificasse questa evenienza, spegnere immediatamente la stampante, staccarla dalla presa di alimentazione e chiamare il rivenditore locale CITIZEN SYSTEMS.**



Evitare di trattare la stampante nel modo seguente:

- Non sottoporre la stampante ad un inizio di sessione ("hand shake") o delle scosse violente (ad es. calpestio, caduta o colpi con un oggetto duro).
- Non tentare di smontare o modificare la stampante.
- **L'omissione di una corretta procedura può causare danni alla stampante, surriscaldamento, emissione di fumo, incendio o scosse elettriche.**



Installare, utilizzare o depositare la stampante fuori dalla portata dei bambini.

- **Gli apparecchi elettrici potrebbero provocare lesioni impreviste o incidenti se trattati o utilizzati non correttamente.**
- **Tenere il cavo di alimentazione e i cavi dei segnali fuori dalla portata dei bambini. Inoltre, ai bambini non dovrebbe essere permesso l'accesso a qualsiasi parte interna della stampante.**
- **La busta plastica con la quale è fornita la stampante deve essere tenuta lontano dalla portata dei bambini. Se indossata sul capo può provocare il soffocamento.**



AVVERTENZA

Osservare le seguenti precauzioni per l'alimentazione ed il cavo di alimentazione:

- Non collegare o scollegare il cavo di alimentazione con le mani bagnate.
- Utilizzare la stampante solo con la tensione e la frequenza di alimentazione specificate.
- Usare solo l'adattatore c.a. specificato per la stampante.
- Assicurarsi che la presa di alimentazione alla quale è collegata la stampante abbia una capacità sufficiente.
- Non alimentare la stampante da una basetta di alimentazione o da una presa di corrente condivisa con altri apparecchi.
- Non collegare il cavo di alimentazione con polvere o detriti sulla spina ad una presa di alimentazione.
- Non cercare di modificare il cavo di alimentazione.
- Non trasportare la stampante mentre è alimentata.
- **L'omissione di una corretta procedura può causare danni alla stampante, surriscaldamento, emissione di fumo, incendio o scosse elettriche.**
- **Un sovraccarico potrebbe provocare il surriscaldamento del cavo di alimentazione o lo scatto dell'interruttore.**
- Non lasciare che nulla si depositi sul cavo di alimentazione. Non sistemare la stampante in un luogo dove il cavo di alimentazione potrebbe essere calpestato.
- Non usare o trasportare la stampante con il cavo di alimentazione piegato, attorcigliato o tirato.
- Non cercare di modificare il cavo di alimentazione.
- Non posare il cavo di alimentazione nelle vicinanze di un dispositivo di riscaldamento.
- **La mancata osservanza di queste precauzioni potrebbe causare la rottura dei fili o dell'isolamento con conseguenti perdite, scosse elettriche o malfunzionamento della stampante. Se un cavo di alimentazione viene danneggiato, contattare il rivenditore CITIZEN SYSTEMS.**
- Non lasciare oggetti attorno alla presa di alimentazione per garantire sempre un facile accesso ad essa.
- Alimentare corrente alla stampante da un'adeguata presa a muro, facilmente raggiungibile in caso di emergenza.
- **In caso di emergenza la stampante potrebbe non essere spenta immediatamente.**
- Inserire la spina di alimentazione a fondo nella presa.
- Se la stampante non deve essere utilizzata per un lungo periodo, lasciarla scollegata dalla sua presa di alimentazione.
- Tenere la presa ed il connettore quando si effettua il collegamento o scollegamento del cavo di c.a. o del cavo di segnali dopo avere scollegato la stampante e l'apparecchio collegato ad essa.



ATTENZIONE

Sistemare la stampante su una superficie piana, stabile e senza vibrazioni.

- **In caso contrario essa potrebbe cadere e causare danni.**



Non utilizzare la stampante nelle condizioni seguenti.

- Evitare che un muro nelle vicinanze o qualsiasi oggetto blocchino i fori di ventilazione della stampante.
- Non utilizzare la stampante con oggetti depositati su di essa.
- Non utilizzare la stampante coperta o avvolta da un tessuto o un lenzuolo.
- **Fare attenzione alla formazione interna di calore che potrebbe provocare incendi e deformare la struttura esterna della stampante.**
- Evitare di usare la stampante vicino ad una radio o ad un televisore e non alimentarla dalla stessa presa utilizzata per questi apparecchi.
- Evitare di utilizzare la stampante collegata ad un cavo che non presenta alcuna protezione contro i disturbi. (Per le interconnessioni, utilizzare una coppia di cavi schermati o attorcigliati e nuclei in ferrite o altri dispositivi antidisturbo.)
- Evitare di usare la stampante con un dispositivo che rappresenti una forte fonte di rumore.
- **La stampante potrebbe avere un effetto negativo sulle trasmissioni radio o TV. In alcuni casi gli apparecchi elettrici potrebbero influenzare in modo negativo la stampante, causando errori di dati o malfunzionamento.**



Usare la stampante con il morsetto di messa a terra collegato ad un adeguato impianto di messa a terra.

- **Se si verificano dispersioni potrebbe sussistere il pericolo di scosse elettriche.**



Non collegare il morsetto di messa a terra della stampante a nessuno di questi impianti:

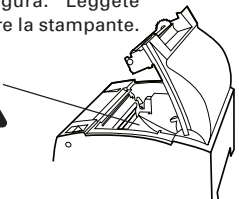
- Tubature del gas
Potrebbe verificarsi un'esplosione di gas
- Linea telefonica
- Aste parafulmine
In caso di fulmine, un forte picco di corrente potrebbe provocare incendi o scosse elettriche
- Tubazioni idrauliche
Tubazioni idrauliche in plastica non dovrebbero essere utilizzate per la messa a terra. (Possono essere utilizzate solo quelle approvate dall'Acquedotto).



Prima di collegare o scollegare il cavo di messa a terra alla o dalla stampante, scollegarlo sempre dalla presa di alimentazione.

L'etichetta di avvertenza è posizionata così come mostrato in figura. Leggete accuratamente le precauzioni per la manipolazione prima di utilizzare la stampante.

QUESTA ETICHETTA INDICA UN RISCHIO DI DANNO DOVUTO ALLA "TEMPERATURA ELEVATA" DELLA TESTINA TERMICA.



ATTENZIONE

Per evitare i problemi di funzionamento o i guasti eventuali, osservate ciò che segue:

- Evitare di fare funzionare la stampante senza rotolo di carta correttamente caricato.
- Evitare l'impiego di carta non conforme alle specifiche.
- **La stampa potrebbe risultare di scarsa qualità.**
- Evitare l'utilizzo di pezzi di carta strappati o uniti con nastro adesivo.
- Evitare l'estrazione forzata a mano di carta già inserita.
- Evitare di incastrare a forza la carta nel coperchio della stampante.
- **La carta potrebbe incepparsi. Per sbloccare, fare riferimento a "Rimozione della carta incastrata" in questo manuale.**
- Evitare l'utilizzo di uno strumento appuntito e affilato per azionare i tasti del pannello.



Assicurarsi di inserire bene la spina del cavo nella sua presa di collegamento.

- **Una connessione incrociata potrebbe danneggiare la parte elettronica interna della stampante o l'hardware del sistema host.**

Utilizzare la stampante solo con dispositivi che hanno indicato delle specifiche del solenoide per il connettore di apertura del cassetto.

- **La mancata osservanza di questa precauzione potrebbe provocare un malfunzionamento o un guasto.**



Per evitare il peggioramento delle lesioni e dei danni, seguire le seguenti istruzioni:

- Non toccare la superficie di stampa della testina termica.
- Non toccate alle parti mobili (ad es. la taglierina, gli ingranaggi, le parti elettriche attive) quando la stampante funziona.
- In caso di problemi non cercare di riparare la stampante. Affidarla al servizio di CITIZEN SYSTEMS per la riparazione.
- Attenzione a non incastrarvi le mani o le dita nel coperchio della stampante.
- Prestare attenzione ai bordi acuti della stampante. Si rischia di ferirsi o causare danni materiali.
- **Ciò potrebbe causare scosse elettriche, bruciature o lesioni.**
- **Se dalla stampante provengono fumo, odori strani o rumori inconsueti durante la stampa, interrompere immediatamente la stampa corrente e scollegare la stampante dalla presa di alimentazione.**



MANUTENZIONE QUOTIDIANA

Osservate le precauzioni seguenti per la manutenzione quotidiana:

- Per pulire la stampante, metterla sempre fuori tensione e staccarla dalla presa murale.
- Utilizzare uno straccio morbido e secco per pulire la superficie della cassa della stampante.
- Per le macchie persistenti, utilizzare uno straccio morbido leggermente imbevuto d'acqua.
- Non pulire la stampante con un solvente organico quale alcol, diluente per vernice o benzene.
- Utilizzare una spazzola morbida per ritirare pezzi di carta.
- Per trasportare la stampante, rimuovere il rotolo di carta del suo alloggiamento.



ATTENZIONE

- **Immediatamente dopo l'utilizzo, la testina termica rimane ad una temperatura pericolosamente elevata. Non toccare la testina fino al suo raffreddamento.**

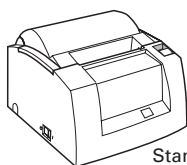
1. DESCRIZIONE GENERALE

Il modello CT-S300 è una stampante termica parallela compatta ideata per l'utilizzo con un'ampia gamma di terminali per dati, POS (Point of Sale) e cucina. Dotata di ampie caratteristiche, può essere utilizzata per una vasta gamma di applicazioni.

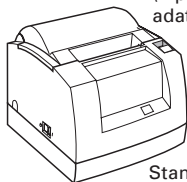
1.1 Disimballo

Quando si rimuove l'imballaggio della stampante, verificare che siano comprese nella fornitura le seguenti parti:

- Stampante: 1
- Adattatore c.a. (tipo di adattatore c.a.): 1
- Cavo di alimentazione c.a.: 1
- Rotolo di carta campione: 1 rotolo
- Adattatore per il rotolo di carta da 58 mm di larghezza: 1
- Manuale dell'Utente (questo manuale): 1



Stampante
(Tipo di
adattatore c.a.)



Stampante
(Tipo alimentazione
integrata)



Adattatore c.a.
(Tipo di adattatore c.a.)



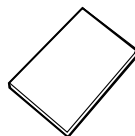
Cavo di
alimentazione c.a.



Rotolo di carta
campione



Divisorio per il
rotolo di carta da 58
mm di larghezza



Manuale dell'Utente
(questo manuale)

1.2 Categoria modello

I modelli della stampante sono classificati in base al seguente metodo:

CT - S300 - R F 230 A

Interfaccia

R: Seriale conforme a RS-232C
P: Parallela conforme a IEEE 1284
U: USB

Serie di caratteri

F: Internazionale

Sensore di Black Mark per lato posteriore
Niente: Nessun sensore (standard)
M1: Sensore di riferimento nero, sinistra
M2: Sensore di riferimento nero, destra

Alimentazione

A: Tipo di adattatore c.a.

S: Tipo alimentazione integrata

Specifiche di cavo di alimentazione

100: Per c.a. 100 V

120: Per c.a. 120 V

230: Per c.a. 230 V

1.3 Specifiche di base

Voce	Caratteristiche	
Modello	CT-S300-RF120 CT-S300-PF120 CT-S300-UF120	CT-S300-RF230 CT-S300-PF230 CT-S300-UF230
Metodo di stampa	Metodo di stampa termica a righe di punti	
Larghezza di stampa	72 mm/576 punti, (48 mm/384 punti) *1	
Densità di punto	8 × 8 punti/mm (203 dpi)	
Velocità di stampa	130 mm/sec (Livello 0 standard densità di stampa, più rapido), 1040 righe di punti/sec	
Numero di colonne di stampa *2 () indica il valore con una carta da 58 mm di larghezza	Font A: 48/42 (32/30) colonne; 12 × 24 punti Font B: 64/56 (42/40) colonne; 9 × 17 punti Font C: 72/63 (48/45) colonne; 8 × 16 punti	
Dimensione carattere	Font A: 1,50 × 3,00 mm Font B: 1,13 × 2,13 mm Font C: 1,00 × 2,00 mm	
Tipo carattere	Alfanumerico, Internazionale, PC437/850/852/857/858/860/863/ 864/865/866/WPC1252/Katakana/Tailandese 18	
Memoria d'utente	256 KB (In grado di registrare in memoria i caratteri definiti dall'utente e logo)	
Tipi di codice a barre	UPC-A/E, JAN (EAN) 13/8 colonne, ITF, CODE 39, CODE 128, CODABAR, CODE 93	
Spaziatura	4,23 mm (1/6 pollice)	
Rotolo di carta	Rotolo di carta termica: 80 ⁺⁰ mm/58 ⁺⁰ mm × φ83 mm Spessore carta: 65-75 μm	
Interfaccia	Seriale (conforme a RS-232C), Parallela (conforme a IEEE 1284), USB	
Interfaccia cassetto	2 cassette-cassa sono sopportati.	
Buffer di input	4k bytes/45 bytes	
Tensione di alimentazione	24 V c.c. ±7%	
Consumo di corrente	Circa 70 W (in caso di stampa normale)	
Specifiche dell'adattatore c.a.	Entrata nominale: 100 a 240 V c.a., 50/60 Hz, 150 VA Uscita nominale: 24 V c.c., 2A	
	35AD-U	35AD-E
Peso	Circa 1,2 kg	
Dimensioni esterne	145 (larg.) × 195 (prof.) × 121 (alt.) mm (Tipo di adattatore c.a.) 145 (larg.) × 195 (prof.) × 159 (alt.) mm (Tipo alimentazione integrata)	
Temperatura ed umidità operative	Da 5 a 40°C, 35 a 85% RH (nessuna condensa)	
Temperatura ed umidità di immagazzinamento	Da -20 a 60°C, da 10 a 90% RH (nessuna condensa)	
Affidabilità	Durata di vita della testina di stampa: 100 km, 1 × 10 ⁸ impulsi (A temperatura/umidità normale con utilizzo della carta consigliata) Durata di vita della taglierina automatica: 1.000.000 tagli (A temperatura /umidità normale con utilizzo della carta consigliata)	
Standard di sicurezza *3	UL, FONDO, FCC Categoria A	TÜV, GS, marcatura CE

Note:

*1: Rappresenta il valore quando viene utilizzato un rotolo di carta da 58 mm.

*2: Il numero di colonne stampabili è selezionabile con un microinterruttore.

*3: È conforme agli standard di sicurezza acquisiti quando vengono usati gli adattatori CITIZEN SYSTEMS (serie 35AD).

2. SPIEGAZIONE DEI COMPONENTI DELLA STAMPANTE

2.1 Aspetto esterno della stampante

Tipo con adattatore c.a.

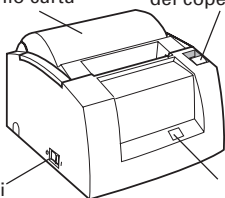
(Vista frontale)

Coperchio carta

Leva di apertura
del coperchio

Interruttore di
alimentazione

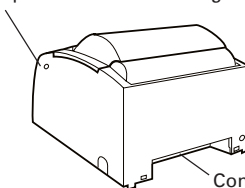
Pannello di
comando



(Vista posteriore)

Foro per lo sblocco della taglierina

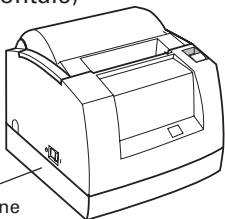
Connettore
posteriore



Tipo con alimentazione integrata

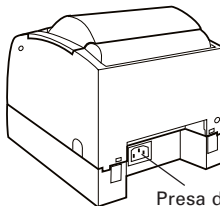
(Vista frontale)

Scatola di
alimentazione

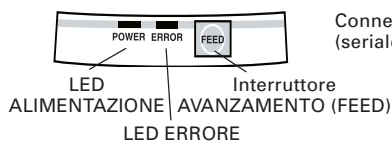


(Vista posteriore)

Presa d'ingresso c.a.



Pannello di comando

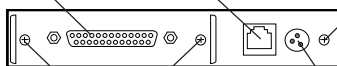


Connettori posteriori

Connettore di interfaccia
(seriale, parallela, ecc.)

Connettore di
interfaccia del
cassetto

Massa (FG)
per il cassetto



Vite d'appoggio del
pannello di interfaccia

Connettore di
alimentazione

Interno del coperchio per la carta

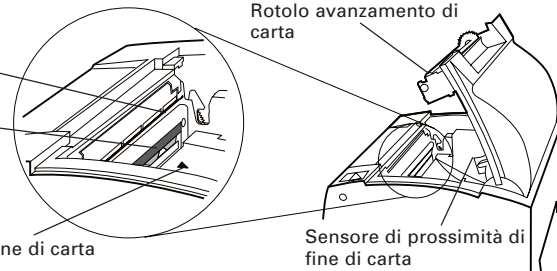
Taglierina automatica

Testina di stampa
(termica)

Sensore di fine di carta

Rotolo avanzamento di
carta

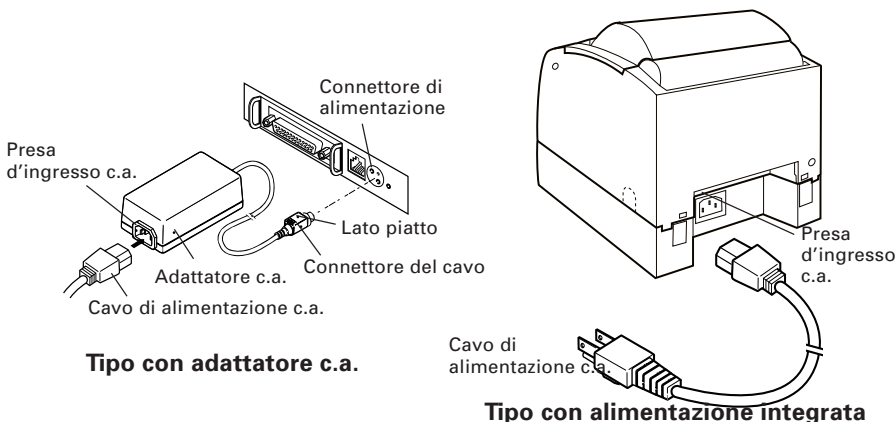
Sensore di prossimità di
fine di carta



3. FUNZIONAMENTO

3.1 Collegamento dell'adattatore c.a. e del cavo di alimentazione

1. Spegner la stampante.
2. Solo per il tipo con adattatore c.a.: Con il lato piatto del connettore del cavo dell'adattatore c.a. girato verso l'alto, inserire il connettore del cavo nel connettore di alimentazione sul retro della stampante.
3. Collegare il cavo di alimentazione c.a. nella presa di ingresso della stampante e inserire la spina del cavo di alimentazione c.a. nella corrispondente presa a muro.



ATTENZIONE!

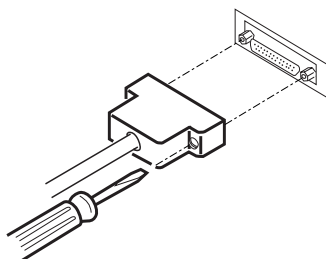
- Utilizzare solo l'adattatore c.a. indicato con la stampante.
- Per scollegare il cavo di alimentazione, tirare lo stesso sempre tramite la spina.
- Mantenere sempre l'alimentazione di corrente alternata lontana da altri apparecchi che producono disturbi.
- Non tirare con il cavo di c.a. per evitare qualsiasi rischio d'incendio, di scosse elettriche o d'interruzione dell'alimentazione.
- Se c'è rischio di fulmine, staccare il cavo di alimentazione c.a. dalla presa murale. Altrimenti potrebbe provocare incendi o scosse elettriche
- Mantenere il cavo di c.a. lontano dagli apparecchi di riscaldamento. Altrimenti il rivestimento del cavo di c.a. rischia di fondere provocando un incendio o una scossa elettrica.
- Se la stampante non deve essere utilizzata per molto tempo, scollegarla dalla presa di alimentazione.

3.2 Collegamento dei cavi di interfaccia

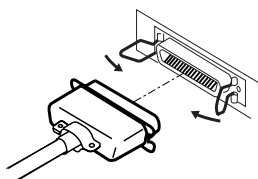
Spegnere la stampante e scollegare il cavo di alimentazione. Quindi seguire il metodo per il collegamento dei cavi di interfaccia.

Orientare correttamente il terminale del cavo di interfaccia ed introdurlo nel connettore di interfaccia.

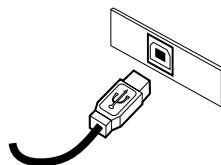
Nel caso del tipo con alimentazione integrata, rimuovere l'unità della scatola di alimentazione prima del collegamento.



Interfaccia seriale



Interfaccia parallela



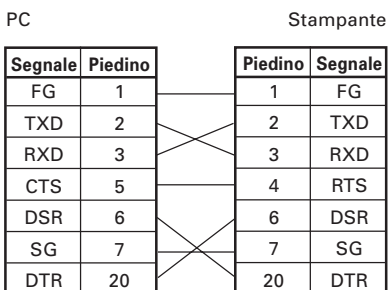
Interfaccia USB

ATTENZIONE!

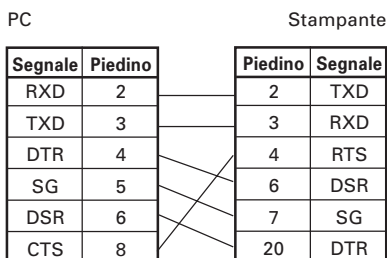
Quando si scollega il cavo, tenere sempre il connettore.

Per il cavo di interfaccia seriale, utilizzare quello avente il collegamento seguente.

Cavo 25 piedini - 25 piedini (PIN)

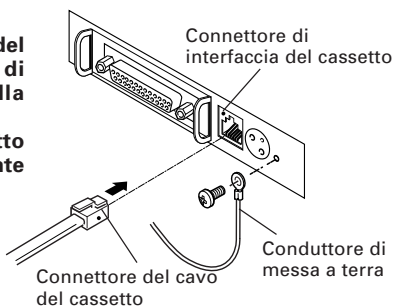


Cavo 9 piedini - 25 piedini (PIN)



3.3 Collegamento del cassetto

1. Spegner la stampante.
 2. Orientare correttamente il connettore del cassetto ed inserirlo nel connettore di interfaccia del cassetto sul retro della stampante.
 3. Collegare il filo di messa a terra del cassetto al morsetto di messa a terra della stampante con una vite.
- Per il tipo con alimentazione integrata, rimuovere l'unità della scatola di alimentazione prima del collegamento.



ATTENZIONE!

Non collegare dispositivi diversi dal cassetto specificato al connettore di interfaccia. (Non collegare neppure una linea telefonica.)

Nel caso del tipo con alimentazione integrata, rimuovere l'unità della scatola di alimentazione prima del collegamento.

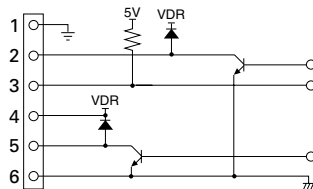
- (1) Configurazione dei piedini del connettore

No.	Segnale	Funzione
1	FG	Massa (Frame Ground)
2	DRAWER 1	Segnale comando cassetto 1
3	DRSW	Input cambio cassetto
4	VDR	Alimentazione corrente comando cassetto
5	DRAWER 2	Segnale comando cassetto 2
6	GND	Messa a terra comune sui circuiti



Connettore utilizzato:
TM5RJ3-66 (Hirose) o
equivalente
Connettore applicabile:
TM3P-66P (Hirose) o
equivalente

- (2) Caratteristiche elettriche
- 1) Tensione di comando: 24 VCC
 - 2) Corrente di comando: Mass. circa 1 A (non dovrà superare I 510 ms)
 - 3) Segnale DRSW: Livelli segnale: "L" = 0 a 0,5 V, "H" = 3 a 5 V
- (3) Segnale DRSW
Lo stato del segnale DRSW può essere verificato con i comandi DLE+EOT, GS+a, o GS+r o al piedino 34 sulla porta dell'interfaccia parallela.
- (4) Circuito di comando (lato della stampante)



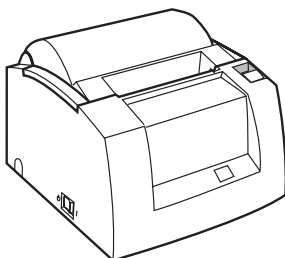
ATTENZIONE!

- Durante la stampa non viene prodotto nessun output.
- I cassette 1 e 2 non possono essere pilotati contemporaneamente.
- Un solenoide utilizzato per il cassetto dovrebbe essere di 24 Ω o superiore. La corrente di uscita dovrebbe essere mantenuta a 1A o più bassa; in caso contrario potrebbero verificarsi danni o svilupparsi fiamme.

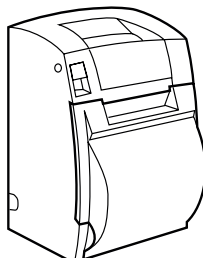
3.4 Sistemazione della stampante

La stampante può essere installata orizzontalmente, verticalmente e sulla parete. Al momento della spedizione, la stampante viene regolata per una sistemazione orizzontale. Per installare la stampante verticalmente o sulla parete, le regolazioni seguenti sono necessarie.

1. **Regolazione della posizione del sensore di quasi-fine carta (vedi la sezione 3.7)**
2. **Piedi di gomma antidrucciolevoli (per una sistemazione verticale)**
3. **Kit in opzione di montaggio alla parete (per il montaggio alla parete)**
4. **Cavo c.a. ad angolo retto in opzione (installando la stampante verticalmente con l'alimentazione integrata)**



Posizione orizzontale



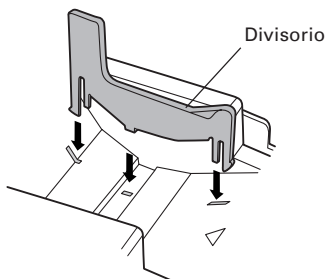
Posizione verticale

ATTENZIONE!

- Quando è utilizzata in posizione verticale, la stampante espelle la carta in modo che non cada normalmente anche con taglio completo. Fate bene attenzione quando utilizzate l'attrezzatura incorporata della stampante, ecc.
- Quando si utilizza una sistemazione orizzontale, evitare un taglio completo. Altrimenti, la carta tagliata rischia di cadere nella taglierina automatica, causando un doppio taglio e pezzi di carta. Questo può causare un inceppamento di carta.

3.5 Divisorio per il rotolo di carta da 58 mm

1. **Spegnere la stampante.**
2. **Aprire il coperchio di carta.**
3. **Attaccare il "divisorio" fornito con la stampante alla posizione rappresentata sulla figura.**
4. **Riferendosi alla sezione della regolazione del microinterruttore di memoria, cambiare la regolazione della larghezza di carta a 58 mm.**



ATTENZIONE!

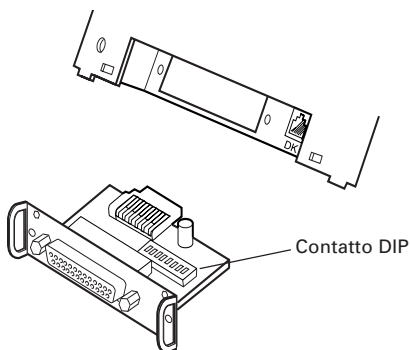
Quando la carta da 58 mm viene utilizzata, utilizzare sempre la stampante solo con carta da 58 mm.

3.6 Regolazione del contatto DIP

Il contatto DIP è presente sull'interfaccia seriale.

Togliere le viti di fissaggio del pannello, rimuovere il pannello di interfaccia, poi regolare il contatto DIP.

La funzione di ogni contatto è indicata di seguito.



No. contatto	Funzione	ON (collegato)	OFF (scollegato)	Regolazioni iniziali
1	Metodo di regolazione della condizione di comunicazione	Regolazione del contatto DIP	Regolazione del contatto di memoria	ON
2	Inizio di sessione ("hand shake")	XON/XOFF	DTR/DSR	OFF
3	Lunghezza bit	7 bits	8 bits	OFF
4	Controllo di parità	Con parità	Nessuna	OFF
5	Selezione parità	Parità uguale	Parità dispari	OFF
6	Selezione baud rate	Vedi la tabella qui di seguito		ON
7				ON
8	INIT	Ripristino	Invalido	OFF

Selezione del baud rate

Tasso di baud (bps)	No. contatto	
	6	7
2400	OFF	OFF
4800	ON	OFF
9600	OFF	ON
19200	ON	ON

38400 bps possono anche essere selezionati da un comando software.

3.7 Regolazione del sensore di quasi-fine carta

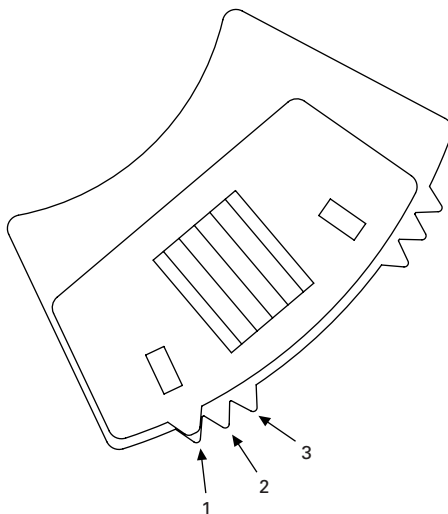
1. Inserire l'unità del sensore di quasi-fine carta.
2. Spostare l'unità del sensore di quasi-fine carta a destra e a sinistra spingendola.

La posizione da regolare varia secondo la sistemazione della stampante, orizzontale o verticale, o il diametro del rotolo di carta così indicato nella figura seguente.

Posizione del sensore	Metodo di sistemazione	Diametro interno di rotolo di carta (mm)
1	Orizzontale	$\phi 22$
2		$\phi 24$
3		$\phi 27$
3	Verticale (stampante fissata alla parete)	$\phi 22$
2		$\phi 24$
1		$\phi 27$

ATTENZIONE!

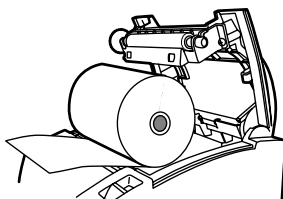
- Il livello di carta rimanente (diametro esterno rotolo di carta) varia secondo il tipo di rotolo di carta utilizzato.
- Il diametro interno del rotolo di carta è dato solo per riferimento.
- Il diametro esterno raccomandato per il centro del rullo di carta è $\phi 18$. Tuttavia se un rullo di carta di un diametro $\phi 22$ deve essere utilizzato, le messe a punto ad 1 "per il posizionamento orizzontale ed a 3" per il posizionamento verticale non potrà essere utilizzato.



4. MANUTENZIONE E ASSISTENZA

4.1 Sistemazione/sostituzione dei rotoli di carta

1. Tirare fino in fondo la leva di apertura del coperchio.
2. Aprire il coperchio per la carta.
3. Inserire un rotolo di carta con la superficie di stampa rivolta verso il basso, così come rappresentata in figura. e Tirare l'estremità dalla carta diritto per alcuni centimetri al di fuori della stampante.
4. Premere leggermente sul coperchio fino a sentire uno scatto.



ATTENZIONE!

- Utilizzare solo i tipi di rotoli di carta specificati.
- Verificare che il rotolo di carta è installato correttamente.
- Quando la carta è attorcigliata o troppo tesa sotto il coperchio, aprire il coperchio e posizionare correttamente la carta.
- Alla chiusura del coperchio, premere sulla parte centrale del coperchio per chiuderlo fermamente.

AVVERTENZA

Quando si apre il coperchio, fare bene attenzione a non toccare la testina termica o la lama della taglierina. Altrimenti, un'ustione o una ferita della mano può verificarsi.

4.2 Rimozione della carta incastrata

1. Spegnerne la stampante.
2. Aprire il coperchio della stampante.
Se la lama della taglierina resta sporgente con carta bloccata, non aprire il coperchio forzando. Riferendosi alla sezione 4.4, rimettere la lama nella sua posizione normale, poi aprire il coperchio.
3. Rimuovere la carta inceppata compresi pezzi di carta residui. (Inoltre, togliere il rotolo di carta dal supporto.)
4. Accendere la stampante. Il meccanismo di taglio automatico è inizializzato e l'allarme viene eliminato.

ATTENZIONE!

La testina di stampa diventa calda subito dopo la stampa. Non toccarla con le mani. Non toccare l'elemento di riscaldamento della testina con le mani nude o con oggetti metallici.

4.3 Pulizia della testina di stampa

1. Accendere la stampante.
2. Aprire il coperchio della stampante.
3. Attendere diversi minuti. Eliminare chiazze di polvere e simili sull'elemento di riscaldamento della testina utilizzando un tampone di cotone imbevuto con alcol etilico.

ATTENZIONE!

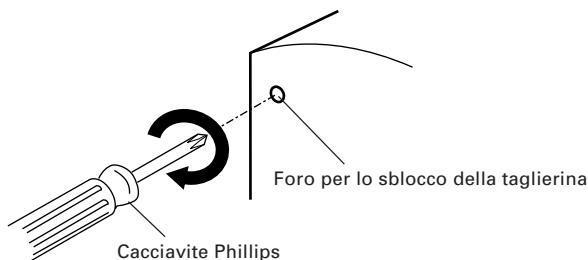
La testina di stampa diventa calda subito dopo la stampa. Non toccarla con le mani. Non toccare l'elemento di riscaldamento della testina con le mani nude o con oggetti metallici.

4.4 Quando il coperchio non può essere aperto

Se la lama della taglierina resta sporgente causa di un inceppamento della carta o qualunque anomalia, l'apertura del coperchio a protezione della carta può non essere attuabile.

In questo caso, non aprire il coperchio forzando. Inserire un cacciavite Phillips nell'orifizio di alimentazione di liberazione della chiusura della taglierina e girare nella direzione della freccia in senso orario.

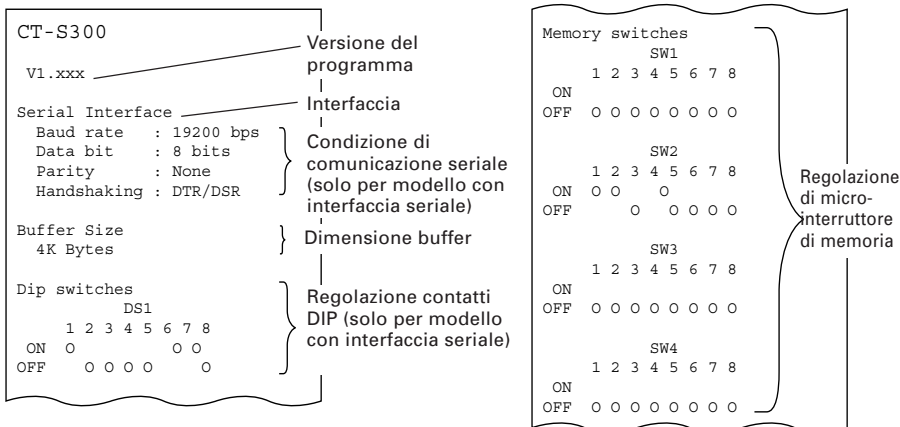
Utilizzate un cacciavite n. 1.



Quando le due estremità della lama hanno raggiunto la posizione più bassa, interrompere di girare il cacciavite. Aprire il coperchio e seguire il metodo per rimuovere l'inceppamento o per eliminare il problema.

4.5 Stampa automatica (Autotest)

Inserire la carta nella stampante. Mantenendo l'interruttore di avanzamento (FEED) premuto, accendere la stampante, mantenere l'interruttore di avanzamento premuto per circa 1 secondo, poi liberarlo. La stampante inizia la stampa automatica. La stampante stampa il nome, la versione, la regolazione dei contatti DIP, la regolazione del microinterruttore di memoria e i font integrate.



4.6 Copia memoria esadecimale

La funzione di memoria esadecimale consente la stampa in numeri esadecimali dei dati inviati. Se problemi come dati mancanti, duplicazione di dati, ecc. dovrebbero prodursi, questa funzione permette di verificare se la stampante riceve i dati correttamente.

Mettere la carta nella stampante e mantenere il coperchio aperto. Con l'interruttore di avanzamento (FEED) premuto, accendere la stampante, poi chiudere il coperchio. La stampante prima stampa "HEX Dump print mode (Memoria esadecimale)", poi stampa tutti i dati seguenti in forma esadecimale e caratteri.

ATTENZIONE!

- Se un carattere corrispondente ai dati ricevuti non è disponibile, al suo posto viene stampato " . " .
- Durante l'esecuzione della memoria esadecimale, nessuna altra funzione eccetto alcuni comandi rimane operativa.
- Se i dati ricevuti non sono sufficienti per una riga intera, la pressione dell'interruttore FEED provocherà la stampa della riga.

La stampante esce dalla modalità di memoria esadecimale nei seguenti casi se viene spenta, se l'interruttore FEED è premuto tre volte di seguito o se la stampante riceve un segnale di ripristino dall'interfaccia, dopo il completamento della memoria esadecimale.



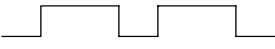






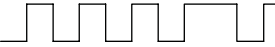
Esempio di stampa

```
HEX DUMP PRINT MODE
1B 21 00 1B 20 04 41 42 43 44 .!.. .ABCD
45 46 47 48 49 4A 4B 4C 4D 4E EFGHIJKLMN
4F 50 0D 0A 31 32 33 0D 0A OP..123..
```

4.7 Indicazione degli errori

- **Fine della carta**
La fine della carta viene rilevata in due tappe: quasi-fine della carta e fine della carta. La spia ERROR si accenderà. Se la fine della carta è rilevata, aggiungere della carta. Se il coperchio a protezione della carta è aperto, la fine carta è rilevata.
- **Coperchio a protezione della carta aperto**
Durante la stampa, non aprire il coperchio di carta. Se il coperchio viene aperto per errore, la spia ERROR lampeggerà. Confermare la presenza della carta e chiudere il coperchio. La stampa riprenderà automaticamente.
- **Surriscaldamento della testina termica**
Quando si stampano caratteri densi o un'immagine scura, la temperatura della testina termica si alzerà. Se la temperatura della testina termica supera un livello stabilito, la stampante cesserà la stampa ed aspetterà fino a che la temperatura della testina termica si abbassa. Durante l'attesa, la spia ERROR lampeggerà. Quando la temperatura della testina termica si è abbassata, la stampa riprenderà automaticamente.
- **Chiusura della taglierina**
Se la lama della taglierina smette di funzionare a causa di un inceppamento della carta o altro fatto anormale, la spia ERROR lampeggerà. Eliminare la causa del problema e premere l'interruttore FEED. Se la lama non si muove ed il coperchio non si apre, anche utilizzando il metodo sopra menzionato, seguire il metodo indicato nella sezione 4.4 per aprire il coperchio.
- **Errore d'individuazione di "Black Mark" (in modo di "Black Mark")**
Quando nessun "Black Mark" può essere individuata anche se una certa quantità di alimentazione di carta è effettuata per l'individuazione del "Black Mark", un errore d'individuazione del "Black Mark" è generato. Se l'individuazione del "Black Mark" supera la durata prevista, una condizione "mancanza carta" è assunta ed indicata.

Lo stato d'illuminazione e di lampeggiamento di ogni errore, compreso quello appena citato, è indicato di seguito.

Stato	Spia ALIMENTAZIONE	Spia ERRORE	Cicalino
Fine di carta	Si accende	Si accende	O
Quasi-fine di carta	Si accende	Si accende	
Errore coperchio aperto	Si accende	Si accende	O
Errore coperchio aperto *1	Si accende		O
Chiusura della taglierina	Si accende		O
Errore surriscaldamento testina	Si accende		
Errore controllo memoria		Si accende	
Errore tensione bassa	Si accende		
Errore alta tensione	Si accende		
Errore controllo somma			
Attesa di esecuzione macro *2	Si accende		
Errore d'individuazione di "Black Mark"	Si accende		O

*1: Quando la stampante stampa.

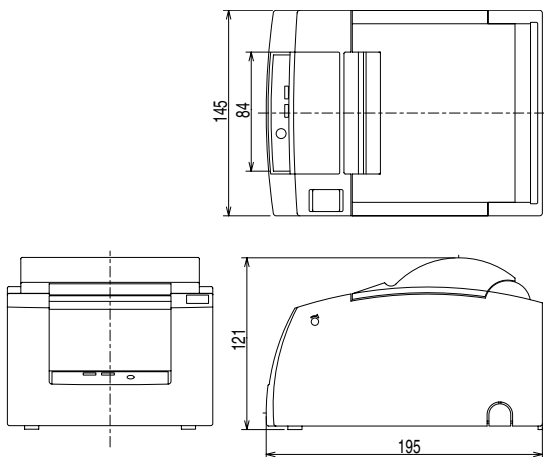
*2: La spia ERROR può lampeggiare anche nell'esecuzione della funzione macro.

5. ALTRI

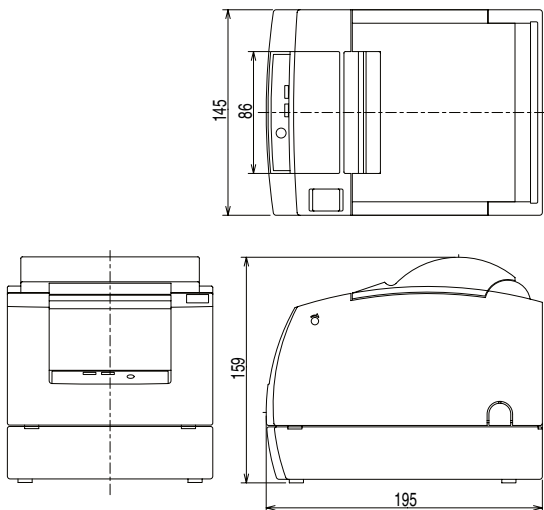
5.1 Viste e dimensioni esterne

(Unità: mm)

Tipo con adattatore c.a.



Tipo con alimentazione integrata



5.2 Regolazione manuale dei microinterruttori di memoria

I microinterruttori di memoria possono essere regolati manualmente o con un comando. Per la regolazione manuale, riferirsi alla pagina seguente.

La funzione di ogni microinterruttore di memoria viene indicata nella tabella seguente. (I caratteri bianco su nero rappresentano quelli della regolazione di fabbrica).

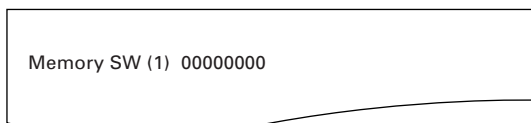
No. microinterruttore	Regolazione	0 (OFF)	1 (ON)
Memory SW1-1	Power ON Info	Send	Not send
Memory SW1-2	Buffer Size	4k bytes	45 bytes
Memory SW1-3	Busy Condition	Full/Err	Full
Memory SW1-4	Receive Error	Print "?"	No Print
Memory SW1-5	CR mode	Ignored	LF
Memory SW1-6	Reserved	Fixed	-
Memory SW1-7	DSR Signal	Invalid	Valid
Memory SW1-8	Init Signal	Invalid	Valid
Memory SW2-1	Reserved	-	Fixed
Memory SW2-2	Auto Cutter	Invalid	Valid
Memory SW2-3	Spool Print	Invalid	Valid
Memory SW2-4	Full Col Print	CBM1000	EPSON
Memory SW2-5	Resume aft PE	Next	Top
Memory SW2-6	Paper width	80 mm	58 mm
Memory SW2-7	Reserved	Fixed	-
Memory SW2-8	NPE Sensor	Valid	Invalid
Memory SW3-1	Resum Ctrr Err	Feed S/W	Command
Memory SW3-2	Resum Open Err	Close	Command
Memory SW3-3	Parallel 31 Pin	Valid	Invalid
Memory SW3-4	Paper Select	Thermal	Black MK
Memory SW3-5	Column Number	48/32 col	42/30 col
Memory SW3-6	No use	Fixed	-
Memory SW3-7	CBM1000 Mode	Invalid	Valid
Memory SW3-8	Open w/Printing	Auto	Manual
Memory SW4-1	Auto Length	Invalid	Valid
Memory SW4-2	BM Sensor	Surface	Back
Memory SW4-3	No use	OFF	Fixed
Memory SW4-4	No use	OFF	Fixed
Memory SW4-5	No use	OFF	Fixed
Memory SW4-6	No use	OFF	Fixed
Memory SW4-7	No use	OFF	Fixed
Memory SW4-8	Full Cut Cmd	Full Cut	Partial

Regolazione manuale dei microinterruttori di memoria (“Memory SW”)

Il microinterruttore di memoria può essere scelto, cambiato o scritto combinando tre azioni: premendo l’interruttore di avanzamento (FEED), mantenendo premuto l’interruttore FEED, ed aprendo o chiudendo il coperchio a protezione della carta.

1. Passaggio in modo di regolazione del microinterruttore di memoria

Regolare la carta nella stampante e lasciare il coperchio della stampante aperto. Con l’interruttore di FEED premuto, accendere la stampante, poi premere l’interruttore FEED due volte. Chiudere il coperchio. Se le regolazioni correnti del microinterruttore di memoria, ecc. sono stampate, la stampante è ora in modo di regolazione del microinterruttore di memoria.



0: Stato OFF (scollegato)
1: Stato ON (collegato)

2. Selezione del microinterruttore di memoria

Quando l’interruttore di avanzamento (FEED) è premuto per un breve periodo (2 secondi), la stampa si produce secondo la sequenza “Memory SW1” → “Memory SW2” → “Memory SW3” → “Memory SW4” → “Write/Factory Setting” → “Memory SW1” → ... varie volte. Quando il microinterruttore di memoria che volete cambiare viene indicato, mantenere premuto l’interruttore di avanzamento FEED (per più di 2 secondi).

3. Selezione di ogni voce dell’interruttore

Ci sono otto rubriche/modi e/o tipi di regolazione per ogni interruttore. Mantenere premuto l’interruttore di avanzamento FEED per un lungo periodo, e la stampante passerà alla prossima voce e stamperà la regolazione corrente della voce. Continuare a premere fino a che la voce per la quale volete cambiare la regolazione sia indicata.



Stato OFF: DEL ERRORE OFF
Stato ON: DEL ERRORE ON

4. Cambio della regolazione

Quando la voce che volete cambiare viene indicata, premete l’interruttore di avanzamento (FEED) per un breve periodo. Il valore di regolazione cambiato viene stampato. (Per tornare alla regolazione precedente, premere l’interruttore di avanzamento per un breve periodo. Quando si preme l’interruttore di avanzamento per un lungo periodo di tempo, il valore regolato viene accettato e la stampante passerà alla prossima voce di regolazione.

5. Ritorno al modo di selezione del microinterruttore di memoria

Quando la regolazione del contenuto desiderato è completata, aprire il coperchio a protezione della carta, poi chiudere. Questo permetterà alla stampante di stampare la regolazione del microinterruttore di memoria cambiata.

6. Per salvaguardare la regolazione e uscire dal modo di regolazione del microinterruttore di memoria

Premere l'interruttore di avanzamento FEED per passare a "Write/Factory Setting". Quindi mantenere premuto l'interruttore di avanzamento. La stampante stampa il contenuto della nuova regolazione e uscirà dal modo di regolazione del microinterruttore di memoria per tornare allo stato normale di attesa.

* A meno che la salvaguardia della regolazione venga effettuata, la regolazione cambiata non può essere convalidata.

7. Inizializzazione del microinterruttore di memoria

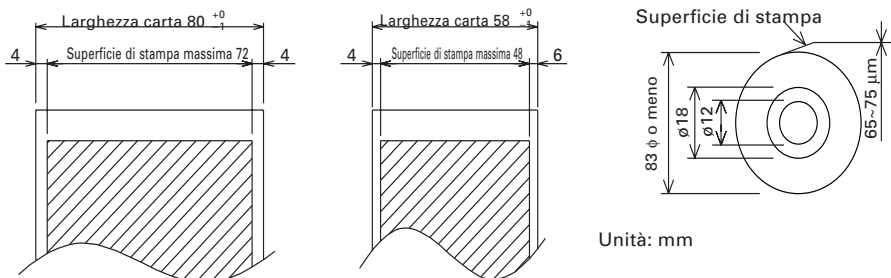
Se volete rimettere il microinterruttore di memoria allo stato iniziale, passate a "Write/Factory Setting" del metodo citato sopra. In questo caso, aprite il coperchio della carta e mantenete premuto l'interruttore di avanzamento FEED sino a che venga attivato il cicalino. Questo permetterà alla stampante di tornare allo stato iniziale.

* Tutte le posizioni dei microinterruttori di memoria sono tornate ai valori regolati in fabbrica.

5.3 Carta di stampa

Utilizzare la carta di stampa indicata nella tabella seguente o la carta con una qualità equivalente.

Tipo di carta	Nome del prodotto
Rotolo di carta termica raccomandata	TF50KS-E2D della Nippon Paper KF50-HAD, PD150R, PD160R della Ohji Paper F220VP, HP220A della Mitsubishi Paper



ATTENZIONE!

Usare la carta con l'inizio del rotolo così come indicato di seguito.

- Nessuna piega viene osservata e la carta si trova lungo il diametro interno.
- Nessun bordo sollevato viene osservato.
- Nessuna incollatura al centro viene osservata.
- La superficie esterna è correttamente posizionata (lato di stampa verso l'esterno).

ESPAÑOL

INDICE

1. NOCIONES GENERALES	8
1.1 Desembalaje	8
1.2 Clasificación del Modelo	8
1.3 Especificaciones Básicas	9
2. EXPLICACION DE LAS PARTES DE LA IMPRESORA	10
2.1 Apariencia de la Impresora	10
3. PREPARACION	11
3.1 Conexión del Adaptador de CA y del Cable de Alimentación de CA	11
3.2 Conexión de los Cables de Interfaz	12
3.3 Conexión del Cajón Portamonedas	13
3.4 Instalación de la Impresora	14
3.5 Instalación del Separador para Rollo de Papel de 58 mm de Anchura	14
3.6 Ajuste de los DIP-Switches	15
3.7 Ajuste del Sensor de Proximidad de Fin de Papel	16
4. MANTENIMIENTO Y LOCALIZACION DE AVERIAS	17
4.1 Colocación/Cambio del Rollo de Papel	17
4.2 Extracción del Papel Atascado	17
4.3 Limpieza del Cabezal de Impresión	18
4.4 Cuando no se Puede Abrir la Cubierta de Papel	18
4.5 Autotest	19
4.6 Impresión de Volcado Hexadecimal	19
4.7 Indicación de Error	20
5. OTROS	21
5.1 Vistas Externas y Dimensiones	21
5.2 Ajuste Manual de los "Memory Switches"	22
5.3 Papel de Impresión	24

PRECAUCIONES GENERALES

- Antes de utilizar este producto, asegúrese de leer completamente este manual. Después de leer este manual, guárdelo en un lugar seguro y de fácil acceso para consultas futuras.
- La información de este manual está sujeta a cambios sin previo aviso.
- La reproducción o transferencia parcial o total de este documento por cualquier medio está prohibida si no se dispone del permiso de CITIZEN SYSTEMS.
- CITIZEN SYSTEMS no es responsable de los resultados de impresión debidos a la pérdida o erratas en la impresión en este manual.
- CITIZEN SYSTEMS no es responsable por cualquier problema causado como resultado del uso de partes opcionales o materiales de consumo no especificados en este manual.
- A menos que se explique en alguna parte en este manual, no intente desmontar o reparar este producto.
- CITIZEN SYSTEMS no es responsable por ningún daño atribuible a una operación/manejo incorrecto, o condiciones ambientales inadecuadas que no se especifiquen en este manual.
- Los datos se utilizan básicamente de forma temporal, no se almacenan durante un largo periodo de tiempo ni permanentemente. Tenga en cuenta que CITIZEN SYSTEMS no se hará responsable por daños o pérdida de beneficios debido a la pérdida de datos causada por accidentes, reparaciones, pruebas u otras causas.
- En caso de falta de información, error, o para cualquier pregunta relativa al uso de la impresora, no dude en ponerse en contacto con su concesionario CITIZEN SYSTEMS.
- En caso de encontrar página(s) en orden incorrecto o faltantes, no dude en ponerse en contacto con su concesionario CITIZEN SYSTEMS para su reemplazo.

NORMAS DE SEGURIDAD ... QUE DEBEN SER SEGUIDAS ESTRICTAMENTE

Antes de utilizar este producto por primera vez, lea atentamente estas NORMAS DE SEGURIDAD. La utilización incorrecta puede causar accidentes inesperados (incendio, descarga eléctrica o lesiones).

- Después de haber leído este manual, guárdelo en un lugar seguro al que pueda acceder fácilmente para poder consultarlo en el futuro.
- Algunas de las descripciones de este manual podrían no ser relevantes para algunos modelos de impresoras.

Para impedir que sufran daños los operadores, otras personas o a las propiedades, en este manual de usuario se utilizan símbolos de advertencia que indican los puntos importantes que deben observarse estrictamente.

A continuación se describe el grado de peligro y los daños que podrían producirse si la impresora no es utilizada de la forma correcta o si se ignoran las instrucciones indicadas por los símbolos de advertencia.

ADVERTENCIA

Si no se cumplen las normas indicadas por este símbolo se pueden producir lesiones mortales o graves.

PRECAUCION

Si no se cumplen las precauciones indicadas por este símbolo se pueden producir lesiones o daños en propiedades.



Este símbolo se utiliza para avisarle de puntos importantes.



Este símbolo se utiliza para avisarle del peligro de descargas eléctricas o daños electrostáticos.



Este símbolo indica que la impresora debe ser desconectada de la toma de corriente.



Este símbolo se utiliza para indicar la “información” sobre la utilización y otros.



Este símbolo se utiliza para indicar acciones prohibidas.

ADVERTENCIA

No utilice ni guarde este producto en un lugar donde esté expuesto a:

- Llamas o aire húmedo
- Luz solar directa
- Aire caliente o calor procedente de un aparato de calefacción
- Atmósfera salina o gases corrosivos
- Lugar mal ventilado
- Reacciones químicas en un laboratorio
- Aceite, partículas de acero o polvo en el aire
- Electricidad estática o campos magnéticos intensos
- **Si no se observan estas advertencias se puede producir un fallo en la impresora, recalentamiento, emisión de humo, incendio o descarga eléctrica.**



No deje caer ningún objeto extraño ni derrame líquidos en el interior de la impresora. No ponga tampoco ningún objeto encima de la impresora.

- No deje caer ningún objeto metálico como, por ejemplo, un clip para papel, alfiler o tornillo en el interior de la impresora.
- No ponga un florero, pote o taza que tenga agua encima de la impresora.
- No derrame café, bebidas o cualquier otro líquido en el interior de la impresora.
- No rocíe insecticida ni ningún otro líquido químico encima de la impresora.
- **Un objeto metálico, que caiga por accidente en el interior de la impresora, puede causar averías, un incendio o una descarga eléctrica. Si ocurriese, apague inmediatamente la impresora, desenchúfela de la toma de corriente y llame a su concesionario CITIZEN SYSTEMS local.**



No utilice la impresora en los siguientes casos:

- No exponga la impresora a golpes fuertes o sacudidas bruscas (por ejemplo, no la pisotee, deje caer o golpee con un elemento duro).
- No intente nunca desmontar ni modificar la impresora.
- **El manejo incorrecto de la impresora puede ser la causa de que ésta falle, se recaliente, emita humo, se produzca un incendio o una descarga eléctrica.**



Instale, utilice o guarde la impresora fuera del alcance de los niños.

- **Los aparatos eléctricos pueden causar lesiones o accidentes inesperados si se manejan o utilizan incorrectamente.**
- **Mantenga el cable de alimentación y los cables de señales fuera del alcance de los niños. Tampoco debe permitirse que los niños tengan acceso a la parte interna de la impresora.**
- **La bolsa de plástico en la que se entrega la impresora deberá ser eliminada correctamente o guardarse fuera del alcance de los niños. Cubrirse la cabeza con ella puede causar asfixia.**



ADVERTENCIA

Tenga en cuenta las precauciones siguientes para la fuente de alimentación y el cable de alimentación:

- No enchufe ni desenchufe el cable de alimentación con las manos mojadas.
- Utilice la impresora solamente con la tensión y la frecuencia especificada.
- Utilice solamente el adaptador de CA especificado con la impresora.
- Asegúrese de que la toma de corriente a la que conecte la impresora tenga la capacidad suficiente.
- No conecte la impresora a una toma de corriente compartida con otros aparatos.
- No enchufe el cable de alimentación en una toma de corriente cuando el enchufe tenga polvo u otras cosas adheridas.
- No utilice un cable de alimentación deformado o estropeado.
- No mueva la impresora mientras está con energía aplicada.
- **El manejo incorrecto de la impresora puede ser la causa de que ésta falle, emita humo, se produzca un incendio o una descarga eléctrica.**
- **Una sobrecarga puede ser la causa de que el cable de alimentación se recaliente o el disyuntor se dispare.**
- No coloque nada encima del cable de alimentación. No coloque la impresora donde el cable de alimentación pueda ser pisado.
- No utilice ni traslade la impresora con su cable de alimentación doblado, retorcido o estirado.
- No intente modificar el cable de alimentación si no es necesario.
- No coloque el cable de alimentación cerca de un aparato de calefacción.
- **Si no se toman estas precauciones podrán romperse los cables o el aislamiento, lo que podría causar fugas, descargas eléctricas, o falla de la impresora. Si se estropea el cable de alimentación, póngase en contacto con su concesionario CITIZEN SYSTEMS.**
- No deje cosas alrededor de la toma de corriente.
- Suministre alimentación eléctrica a la impresora desde una toma de corriente conveniente, a la que se pueda acceder fácilmente en un caso de emergencia.
- **La impresora tal vez no se apague inmediatamente en un caso de emergencia.**
- Inserte completamente el enchufe de alimentación en la toma de corriente.
- Si la impresora no va a ser utilizada durante un largo periodo de tiempo, déjela desconectada de su toma de corriente.
- Sostenga el enchufe y el conector cuando enchufe o desenchufe el cordón de alimentación o cable de señales después de apagar la impresora y el aparato conectado a ésta.



PRECAUCION

Coloque la impresora sobre una superficie plana y estable sin vibración.

- De lo contrario la caída de la impresora puede causar lesiones.



No utilice la impresora en las siguientes condiciones.

- Una posición en que los orificios de ventilación de la impresora estén bloqueados por una pared cercada o algún objeto
- Una posición en que haya algún objeto encima de la impresora
- Una posición donde la impresora esté cubierta o envuelta con algún tipo de tela o sábana.
- **Tenga cuidado con la acumulación de calor en el interior que podría causar un incendio o deformar la caja del aparato.**
- Evite utilizar la impresora cerca de una radio o de un televisor, evite también conectarla a la misma toma de corriente de estos aparatos.
- Evite utilizar la impresora interconectada con un cable o cordón que no tenga protección contra ruido. (Para las interconexiones, utilice un cable blindado o un cable de par trenzado y núcleos de ferrita, u otros dispositivos antiruido.)
- Evite utilizar la impresora junto a un aparato que sea una fuente de ruido intenso.
- **La impresora puede causar un efecto adverso en las emisiones de radio y TV cercadas. También pueden haber casos en que los aparatos eléctricos cercanos afecten adversamente a la impresora, causando errores de datos o fallos de funcionamiento.**



Utilice la impresora conectada correctamente a tierra.

- Si ocurre una fuga se puede producir una descarga eléctrica.



No conecte el punto de conexión a masa de la impresora a ninguno de los puntos siguientes:

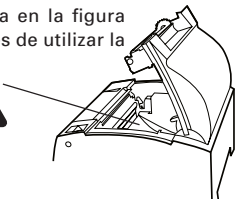
- Tubería de gas
Podría producirse una explosión de gas
- Tierra de la línea telefónica
- Pararrayos
Si cae un rayo, la sobrecorriente podría causar un incendio o una descarga eléctrica.
- Tuberías de agua
Para hacer la conexión a tierra no deberán utilizarse tuberías de agua de plástico. (Podrán utilizarse las tuberías aprobadas por la compañía de Abastecimiento de Agua.)



Antes de conectar o desconectar el cable de puesta a tierra a/de la impresora, desenchufe siempre la impresora de la toma de corriente.

Hay una etiqueta de precaución adherida en la posición mostrada en la figura siguiente. Lea cuidadosamente las precauciones de utilización antes de utilizar la impresora.

ESTA ETIQUETA INDICA EL RIESGO DE LESIÓN DEBIDO A LA "ALTA TEMPERATURA" DEL CABEZAL DE IMPRESION.



PRECAUCION

Para evitar fallos de funcionamiento tenga en cuenta lo siguiente:

- Evite utilizar la impresora sin estar correctamente cargado el papel.
- Evite utilizar papel que no cumpla con las especificaciones.
- **Puede resultar en una calidad de impresión inadecuada.**
- Evite utilizar piezas de papel roto o empalmado con cinta adhesiva de plástico.
- Evite tirar con la mano del papel que ya está cargado.
- Evite que el papel quede atrapado por la cubierta de papel.
- **El papel se puede atascar. Para soltarlo, consulte “Extracción del papel atascado” en este manual.**
- Evite utilizar un objeto puntiagudo para pulsar las teclas del panel.



Asegúrese de insertar firmemente el enchufe en su receptáculo correspondiente.

- **Una mala conexión puede dañar los componentes electrónicos internos o el hardware del ordenador al que está conectada.**

Utilice solamente la impresora con los dispositivos que tienen las especificaciones de solenoide descritas para el conector de interfaz del cajón portamonedas.

- **Si no se tiene en cuenta esta precaución se pueden producir fallos de funcionamiento de la impresora.**



Para impedir lesiones y fallos de funcionamiento tenga en cuenta lo siguiente:

- No toque la superficie de impresión de la cabeza térmica.
- No toque ninguna de las piezas móviles (por ejemplo, el cortador de papel, los engranajes o las piezas eléctricas con corriente) mientras la impresora está funcionando.
- En el caso de problemas no intente reparar la impresora. Solicite la reparación al centro de servicio de CITIZEN SYSTEMS.
- Tenga cuidado para que la cubierta de papel no atrape sus manos o sus dedos.
- Tenga cuidado con los bordes agudos de la impresora. Evite lesiones o daños a la propiedad.
- **Se puede producir descarga eléctrica, quemadura o lesión.**
- **Si la impresora emite humo, olor extraño o ruidos poco corrientes al imprimir, anule inmediatamente la sesión de impresión actual y desenchufe la impresora de la toma de corriente.**



MANTENIMIENTO DIARIO

Tome las precauciones siguientes para el mantenimiento diario:

- Cuando limpie la impresora, apáguela y desconéctela siempre de la toma de corriente.
- Utilice un paño suave y seco para limpiar la superficie de la caja de la impresora.
- Para las manchas difíciles de retirar, utilice un paño suave humedecido ligeramente en agua.
- Nunca utilice disolventes orgánicos de limpieza tal como alcohol, diluyente de pintura, tricloroetileno, bencina o cetona. Nunca utilice un paño de limpieza procesado químicamente.
- Para eliminar los residuos de papel, utilice un cepillo blando.
- Cuando transporte la impresora, retire el rollo de papel de su portapapel.



PRECAUCION

- **La cabeza térmica estará muy caliente inmediatamente después de imprimir. Deje que ésta se enfríe antes de iniciar el trabajo de mantenimiento.**

1. NOCIONES GENERALES

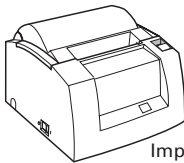
La CT-S300 es una impresora por líneas, térmica, diseñada para ser utilizada con una amplia gama de equipos terminales, incluyendo terminales de datos, terminales POS y terminales de cocina.

Con una amplia gama de funciones se puede utilizar en un gran número de aplicaciones.

1.1 Desembalaje

Cuando desembale la impresora, confirme que disponga de lo siguiente:

- Impresora: 1
- Adaptador de CA (modelo con adaptador de CA): 1
- Cable de alimentación de CA: 1
- Rollo de papel de muestra: 1 rollo
- Separador para rollo de papel de 58 mm de anchura: 1
- Manual de usuario (Este manual): 1



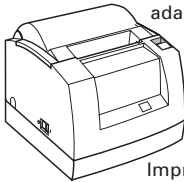
Impresora
(Modelo con
adaptador de CA)



Adaptador de CA
(Modelo con adaptador de CA)



Separador para rollo
de papel de 58 mm
de anchura



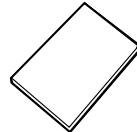
Impresora
(Modelo con fuente de
alimentación incorporada)



Cable de
alimentación de CA



Rollo de papel de muestra



Manual de usuario
(Este manual)

1.2 Clasificación del Modelo

Los modelos de impresora se clasifican de acuerdo al método de designación siguiente:

CT - S300 - R F 230 A

Interfaz

R: Serie – cumple con RS-232C

P: Paralelo – cumple con IEEE 1284

U: USB

Juego de caracteres

F: Internacional

Sensor de marca negra para lado posterior

En blanco: Sin sensor (estándar)

M1: Sensor izquierdo de marca negra

M2: Sensor derecho de marca negra

Alimentación

A: Modelo con adaptador de CA

S: Modelo con fuente de alimentación incorporada

Especificaciones del cable de alimentación

100: Para CA 100 V

120: Para CA 120 V

230: Para CA 230 V

1.3 Especificaciones Básicas

Elemento	Especificaciones	
Modelo	CT-S300-RF120 CT-S300-PF120 CT-S300-UF120	CT-S300-RF230 CT-S300-PF230 CT-S300-UF230
Método de impresión	Método de impresión térmica de líneas formadas por puntos	
Anchura de impresión	72 mm/576 puntos, (48 mm/384 puntos) *1	
Densidad de puntos	8 × 8 puntos/mm (203 ppp)	
Velocidad de impresión	130 mm/s (El más rápido, con nivel 0 de densidad de impresión), 1040 dot lines/s	
Número de columnas de impresión () muestra el valor con papel de 58 mm de anchura	Fuente A: 48/42 (32/30) columnas; 12 × 24 puntos Fuente B: 64/56 (42/40) columnas; 9 × 17 puntos Fuente C: 72/63 (48/45) columnas; 8 × 16 puntos	
Tamaño de caracteres	Fuente A: 1,50 × 3,00 mm Fuente B: 1,13 × 2,13 mm Fuente C: 1,00 × 2,00 mm	
Tipos de caracteres	Alfanumérico, internacional, PC437/850/852/857/858/860/863/864/865/866/WPC1252/Katakana/Tailandés código 18	
Memoria de usuario	256 KB (Capaz de registrar logotipos y caracteres definidos por el usuario)	
Tipos de códigos de barras	UPC-A/E, JAN (EAN) 13/8 columnas, ITF, CODE 39, CODE 128, CODABAR, CODE 93	
Espaciamiento entre líneas	4,23 mm (1/6 de pulgada)	
Rollo de papel	Rollo de papel térmico: 80 ⁺⁰ -mm/58 ⁻⁰ -mm × φ83 mm Espesor de papel: 65-75 μm	
Interfaz	Serie (cumple con RS-232C), Paralelo (cumple con IEEE 1284), USB	
Interfaz de cajón portamonedas	Se soporta 2 cajones portamonedas.	
Memoria buffer	4k bytes/45 bytes	
Tensión de alimentación	DC 24 V ±7%	
Consumo	Aproximadamente 70 W (en impresión normal)	
Adaptador de CA	Entrada nominal: CA 100 a 240 V, 50/60 Hz, 150 VA Salida nominal: DC 24 V, 2A 35AD-U	
Peso	Aproximadamente 1,2 kg	
Dimensiones externas	145 (An) × 195 (L) × 121 (Al) mm (Modelo con adaptador de CA) 145 (An) × 195 (L) × 159 (Al) mm (Modelo con fuente de alimentación incorporada)	
Temperatura y humedad de funcionamiento	5 a 40°C, 35 a 85% de humedad relativa (Sin condensación)	
Temperatura y humedad para almacenamiento	-20 a 60°C, 10 a 90% de humedad relativa (Sin condensación)	
Fiabilidad	Duración del cabezal de impresión: 100 km, 1 × 10 ⁹ impulsos (A temperatura/humedad normal usando el papel recomendado) Duración del cortador automático: 1.000.000 de cortes (A temperatura/humedad normal usando el papel recomendado)	
Normas de seguridad *3	UL, C-UL, FCC Clase A	TUV, GS, marcación CE

Notas:

*1: El valor entre paréntesis representa el caso en que se usa un rollo de papel de 58 mm de anchura.

*2: El número de columnas que se puede imprimir se selecciona con un DIP-switch.

*3: Representa las normas de seguridad adquiridas cuando se usan adaptadores fabricados por CITIZEN SYSTEMS (serie 35AD).

2. EXPLICACION DE LAS PARTES DE LA IMPRESORA

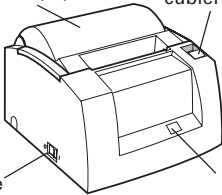
2.1 Apariencia de la Impresora

Modelo con Adaptador de CA

(Vista frontal)

Cubierta de papel

Palanca de
apertura de
cubierta

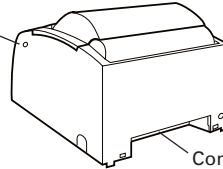


Interruptor de
alimentación

Panel de
operaciones

(Vista trasera)

Orificio para el
desbloqueo del
cortador

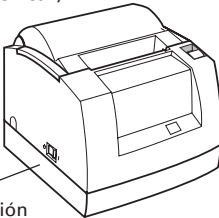


Conector trasero

Modelo con Fuente de Alimentación Incorporada

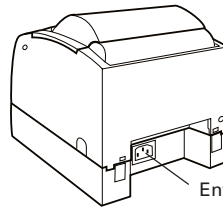
(Vista frontal)

Caja de
alimentación



(Vista trasera)

Entrada de CA



Panel de Operaciones



POWER LED

ERROR LED

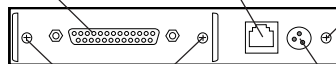
Pulsador FEED

Conectores Traseros

Conector de interfaz
(Serie, paralelo, etc.)

Conector de interfaz del
cajón portamonedas

Terminal de
tierra para
el cajón



Tornillos de montaje
de la tarjeta de interfaz

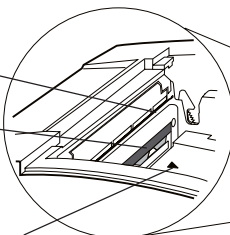
Conector de
alimentación

Interior de la Cubierta de Papel

Cortador automático

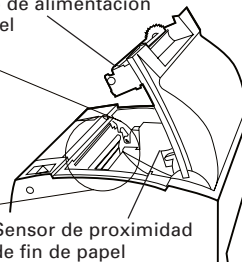
Cabeza impresora
(térmica)

Sensor de fin de papel



Rodillo de alimentación
de papel

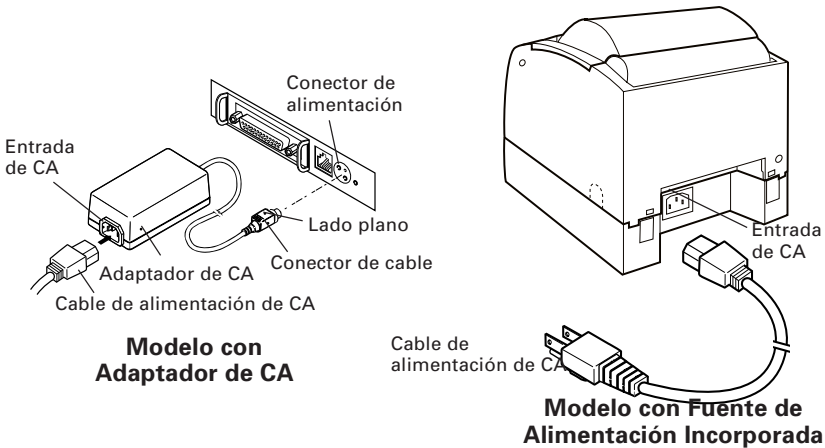
Sensor de proximidad
de fin de papel



3. PREPARACION

3.1 Conexión del Adaptador de CA y del Cable de Alimentación de CA

1. **Desconecte la alimentación de la impresora.**
2. **Para el modelo con adaptador de CA solamente:** Inserte el conector del cable en el conector de alimentación del lado posterior de la impresora, con el lado plano del conector del cable del adaptador de CA hacia arriba.
3. **Conecte el cable de alimentación de CA en la entrada de la impresora e inserte el enchufe del cable de alimentación de CA en una toma de corriente adecuada.**



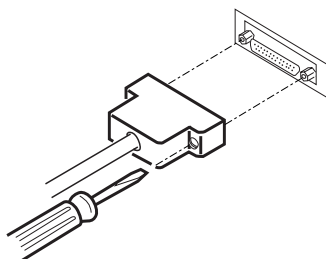
⚠ ¡PRECAUCIÓN!

- Use solamente el adaptador de CA especificado con la impresora.
- Cuando desconecte un cable, no tire de él, tire siempre del enchufe.
- Mantenga siempre la fuente de alimentación de CA distante de otros equipos que generan ruido.
- No tire del cable de alimentación, ya que podría producirse un incendio, una descarga eléctrica, o la interrupción de la alimentación.
- En caso de tormenta, desenchufe el cable de alimentación de CA de la toma de corriente. Podría producirse un incendio o una descarga eléctrica.
- Mantenga el cable de alimentación distante de aparatos generadores de calor. De lo contrario el blindaje del cable de alimentación puede fundirse y producir un incendio o una descarga eléctrica.
- Si la impresora no va a ser utilizada durante un largo periodo de tiempo, déjela desconectada de la alimentación.

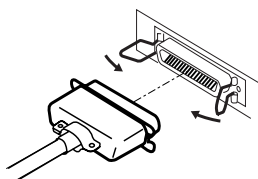
3.2 Conexión de los Cables de Interfaz

Desconecte la alimentación de la impresora y desenchufe el conector de alimentación. Luego siga el procedimiento para la conexión del cable de interfaz.

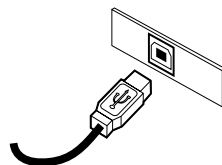
Oriente correctamente el terminal del cable de interfaz e inserte en el conector de interfaz. En caso del modelo con fuente de alimentación incorporada, retire la caja de alimentación antes de la conexión.



Interfaz Serie



Interfaz Paralelo



Interfaz USB

⚠ ¡PRECAUCIÓN!

Cuando desconecte el cable, sujételo siempre por el conector.

Para el cable de interfaz serie, utilice uno con la siguiente configuración.

Cable de 25 pins – 25 pins

PC		Impresora	
Señal	Pin	Pin	Señal
FG	1	1	FG
TXD	2	2	TXD
RXD	3	3	RXD
CTS	5	4	RTS
DSR	6	6	DSR
SG	7	7	SG
DTR	20	20	DTR

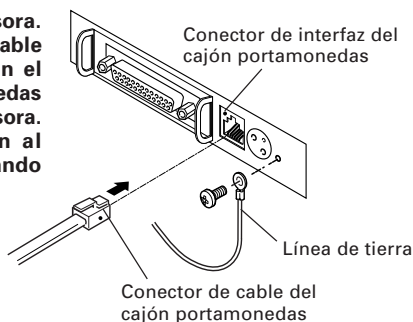
Cable de 9 pins – 25 pins

PC		Impresora	
Señal	Pin	Pin	Señal
RXD	2	2	TXD
TXD	3	3	RXD
DTR	4	4	RTS
SG	5	6	DSR
DSR	6	7	SG
CTS	8	20	DTR

3.3 Conexión del Cajón Portamonedas

1. Desconecte la alimentación de la impresora.
2. Oriente correctamente el conector del cable del cajón portamonedas e insértelo en el conector de interfaz del cajón portamonedas ubicado en la parte posterior de la impresora.
3. Conecte la línea de tierra del cajón al terminal de tierra de la impresora utilizando un tornillo.

Para el modelo con alimentación incorporada, retire la caja de alimentación antes de la conexión.



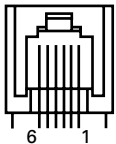
¡PRECAUCION!

No conecte ningún otro dispositivo que no sea el cajón portamonedas especificado al conector de interfaz del cajón portamonedas. (No conecte tampoco una línea telefónica.)

En caso del modelo con alimentación incorporada, retire la caja de alimentación antes de la conexión.

- (1) Configuración de contactos del conector

No.	Señal	Función
1	FG	Tierra del bastidor
2	DRAWER 1	Señal de activación del cajón 1
3	DRSW	Entrada de conmutador de cajón
4	VDR	Suministro de alimentación de activación de cajón
5	DRAWER 2	Señal de activación del cajón 2
6	GND	Tierra común en los circuitos



Conector utilizado:
TM5RJ3-66 (Hirose) o equivalente
Conector aplicable:
TM3P-66P (Hirose) o equivalente

- (2) Características eléctricas

1) Tensión de activación: 24 V CC

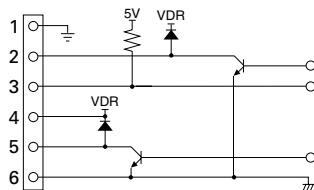
2) Corriente de activación: Aproximadamente 1A máximo (no deberá exceder de 510 ms.)

3) Señal DRSW: Niveles de señales: "L" = 0 a 0,5 V, "H" = 3 a 5 V

- (3) Señal DRSW

El estado de la señal DRSW puede ser probado con el comando DEL+EOT, GS+a, o GS+r o en el contacto 34 del puerto de interfaz paralelo.

- (4) Circuito de activación (lado de la impresora)



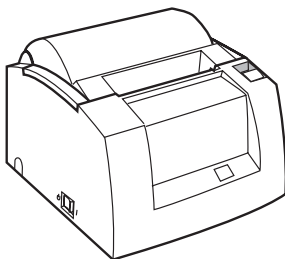
¡PRECAUCION!

- No se puede activar el cajón durante la impresión.
- Los cajones portamonedas 1 y 2 no pueden ser activados simultáneamente.
- El solenoide que se utilice para el cajón portamonedas deberá ser de 24 Ω o más. La corriente de salida deberá mantenerse a 1A o menos; de lo contrario, se podría estropear o incluso quemar el circuito.

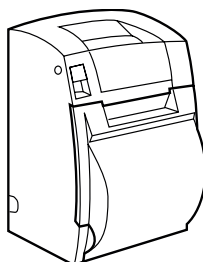
3.4 Instalación de la Impresora

La impresora puede ser instalada horizontalmente, verticalmente y en la pared. En el momento del envío, la impresora está ajustada para instalación horizontal. Para instalarla verticalmente o en la pared, se requieren los siguientes ajustes.

1. **Ajuste de posición del sensor de proximidad de fin de papel (Ver la sección 3.7)**
2. **Almohadillas de caucho antideslizante (para instalación vertical)**
3. **Juego opcional para montaje en pared (para montaje en la pared)**
4. **Cable de CA de ángulo recto opcional (cuando instala verticalmente la impresora con la fuente de alimentación incorporada)**



Posición horizontal



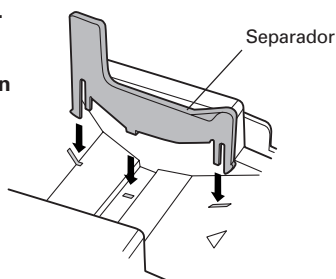
Posición vertical

⚠ ¡PRECAUCION!

- Cuando se usa en posición vertical, la impresora entrega el papel de manera que no caiga naturalmente, incluso si se hace el corte completo. Use la impresora con su equipo asociado, etc.
- Cuando la utilice en posición horizontal, evite el corte completo. De lo contrario, el papel cortado puede caer en el cortador y puede resultar en doble corte. Esto puede ser causa de atascos de papel y en trocitos “virutas” de papel.

3.5 Instalación del Separador para Rollo de Papel de 58 mm de Anchura

1. **Desconecte la alimentación de la impresora.**
2. **Abra la cubierta de papel.**
3. **Coloque el separador del rollo de papel suministrado con la impresora en la posición mostrada en la figura.**
4. **Consultando la sección de ajuste de los “memory switches”, cambie el ajuste de anchura del papel a 58 mm.**



⚠ ¡PRECAUCION!

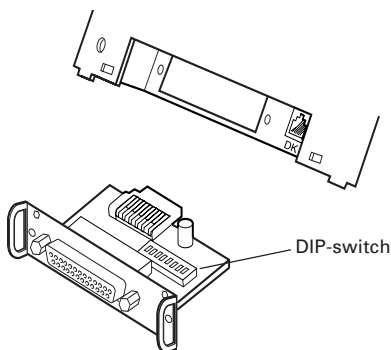
Cuando use papel de 58 mm de anchura, siempre use la impresora con papel de 58 mm solamente.

3.6 Ajuste de los DIP-Switches

El DIP-switch está presente en el interfaz serie.

Retire los tornillos de fijación de la placa, retire la placa de interfaz y luego ajuste el DIP-switch.

A continuación se muestra la función de cada conmutador.



No. de Conmutador	Función	ON	OFF	Ajuste Inicial
1	Método de ajuste de los parámetros de comunicación	Ajuste vía DIP-switch	Ajuste vía "memory switch"	ON
2	Establecimiento de conexión	XON/XOFF	DTR/DSR	OFF
3	Longitud de bits	7 bits	8 bits	OFF
4	Verificación de paridad	Con paridad	Sin paridad	OFF
5	Selección de paridad	Par	Impar	OFF
6	Selección de velocidad de transmisión en baudios	Consulte la tabla abajo.		ON
7				ON
8	INIT	Reset	Inválido	OFF

Selección de velocidad de transmisión en baudios

Velocidad de Transmisión en Baudios (bps)	No. de Conmutador	
	6	7
2400	OFF	OFF
4800	ON	OFF
9600	OFF	ON
19200	ON	ON

También se puede seleccionar 38400 bps vía comando, etc.

3.7 Ajuste del Sensor de Proximidad de Fin de Papel

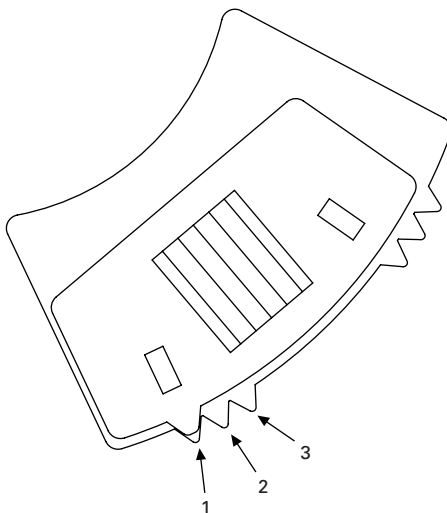
1. Presione la unidad de sensor de proximidad de fin de papel.
2. Mueva la unidad de sensor de proximidad de fin de papel hacia la derecha e izquierda mientras presiona.

La posición a ser ajustada varía de acuerdo con el ajuste de la impresora, horizontal o vertical, o el diámetro del rollo de papel como se muestra en la siguiente figura.

Posición del Sensor	Método de Instalación	Diámetro Externo del Rollo de Papel (mm)
1	Horizontal	$\phi 22$
2		$\phi 24$
3		$\phi 27$
3	Vertical (Montado en pared)	$\phi 22$
2		$\phi 24$
1		$\phi 27$

¡PRECAUCION!

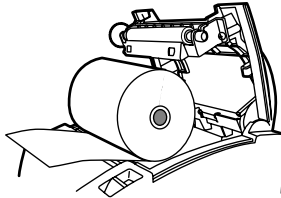
- El remanente de papel (diámetro externo del rollo) difiere según el tipo de papel utilizado.
- El diámetro externo del rollo de papel es solamente para referencia.
- El diámetro exterior del núcleo del rollo de papel es de $\phi 18$. Sin embargo, si el uso de un rollo de papel con diámetro de $\phi 22$ no puede ser evitado, el ajuste a "1" para el posicionamiento horizontal y a "3" para el posicionamiento vertical no pueden ser usados.



4. MANTENIMIENTO Y LOCALIZACION DE AVERIAS

4.1 Colocación/Cambio del Rollo de Papel

1. Tire completamente de la palanca de apertura de cubierta hacia usted.
2. Abra la cubierta de papel.
3. Inserte un rollo de papel con su área de impresión hacia abajo como se muestra en la figura y tire del extremo del papel en sentido recto algunos centímetros hacia fuera de la impresora.
4. Cierre la cubierta de papel hasta que se escuche un “clic”.



¡PRECAUCION!

- Utilice siempre los tipos especificados de rollos de papel.
- Confirme que el rollo de papel está colocado correctamente.
- Cuando el papel se curve y no se extienda en forma recta debajo de la cubierta, abra la cubierta y ajuste el papel correctamente.
- Cuando cierre la cubierta, presione en la parte central de la cubierta para cerrarla firmemente.



ADVERTENCIA

Cuando abra la cubierta de papel, tenga cuidado de no tocar el cabezal de impresión o la cuchilla del cortador. De lo contrario, podría quemarse o sufrir una lesión en la mano.

4.2 Extracción del Papel Atascado

1. Desconecte la alimentación de la impresora.
2. Abra la cubierta de la impresora.
Si la cuchilla del cortador permanece extendida con papel atascado, no abra la cubierta de papel a la fuerza. Consulte la sección 4.4, restaure la cuchilla a la posición normal y luego abra la cubierta.
3. Retire el papel atascado incluyendo cualquier residuo de papel restante. (Retire también el rollo de papel del portapapel.)
4. Encienda la impresora. El mecanismo del cortador automático se inicializa y se cancela la alarma.



¡PRECAUCION!

El cabezal de impresión se calienta inmediatamente después de imprimir. No lo toque con las manos. No toque el elemento calefactor del cabezal con las manos desnudas ni tampoco con un objeto metálico.

4.3 Limpieza del Cabezal de Impresión

1. **Desconecte la alimentación de la impresora.**
2. **Abra la cubierta de papel.**
3. **Espere algunos minutos. Limpie las manchas del elemento de calentamiento del cabezal utilizando un trozo de algodón empapado en alcohol etílico.**



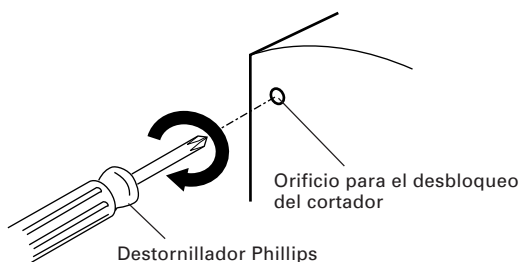
¡PRECAUCION!

El cabezal de impresión está caliente inmediatamente después de imprimir. No lo toque con las manos. No toque el elemento calefactor del cabezal con las manos desnudas ni tampoco con un objeto metálico.

4.4 Cuando no se Puede Abrir la Cubierta de Papel

Si la cuchilla del cortador permanece extendida debido a un atasco de papel o a otra incidencia, puede que sea imposible abrir la cubierta de papel.

En este caso, no fuerce la cubierta de papel. Inserte un destornillador Phillips en el orificio para el desbloqueo del cortador y gírelo en la dirección de la flecha (a la derecha). Utilice un destornillador #1.

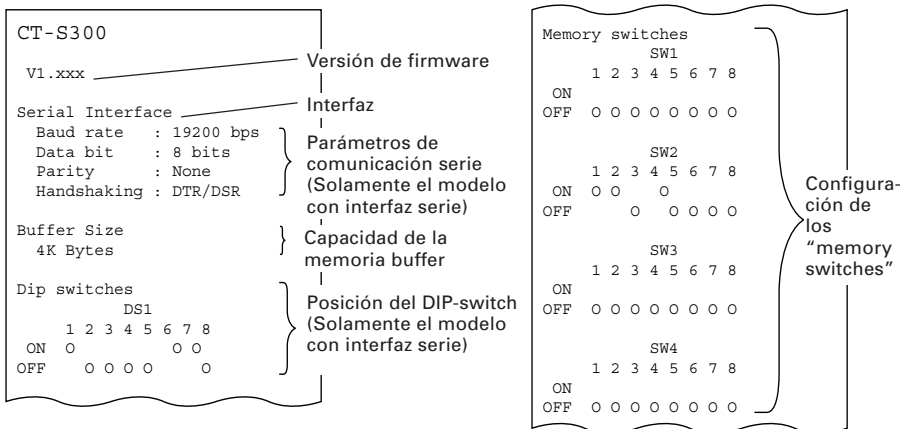


Cuando ambos extremos de la cuchilla lleguen a la posición más baja, deje de girar el destornillador. Abra la cubierta y siga el procedimiento de extracción de papel atascado u otra causa de problema.

4.5 Autotest

Inserte papel en la impresora. Mantenido pulsado el pulsador FEED, conecte la alimentación de la impresora, mantenga pulsado el pulsador FEED por aproximadamente 1 segundo, y luego suéltelo. La impresora empieza la autoimpresión.

La impresora imprime el nombre de modelo, versión, posición del pulsador FEED, configuración de los "memory switches" y fuentes incorporadas.



4.6 Impresión de Volcado Hexadecimal

Esta función es para imprimir todos los datos recibidos en números hexadecimales. Si ocurriesen problemas como datos perdidos, duplicación de datos, etc., esta función permite verificar si la impresora está recibiendo los datos correctamente.

Coloque papel en la impresora y mantenga la cubierta de papel abierta. Con el pulsador FEED mantenido pulsado, conecte la alimentación de la impresora y luego cierre la cubierta de papel. La impresora imprime "HEX dump print mode" seguido por los datos recibidos impresos en números hexadecimales y algunos caracteres.

¡PRECAUCION!

- La impresora imprime "." si no existen caracteres correspondientes a los datos.
- Durante el volcado hexadecimal, no se activarán las funciones excepto algunos comandos.
- Si los datos impresos no cubren una línea, presione el pulsador FEED para imprimir la línea completa.

Cuando usted presiona el pulsador FEED tres veces consecutivamente, o desconecta la alimentación de la impresora, o la impresora recibe una señal de reposición del interfaz, se termina la impresión de volcado hexadecimal.

Ejemplo de impresión

```

HEX DUMP PRINT MODE
1B 21 00 1B 20 04 41 42 43 44 .!.. .ABCD
45 46 47 48 49 4A 4B 4C 4D 4E EFGHIJKLMN
4F 50 0D 0A 31 32 33 0D 0A OP..123..
    
```


4.7 Indicación de Error

- Fin del papel

La falta de papel se detecta en dos pasos: proximidad de fin de papel y fin de papel. Hace que se encienda la lámpara ERROR. Si se detecta el fin del papel, cargue con papel. Si la cubierta de papel está abierta, se detecta un aviso de fin de papel.

- Cubierta de papel abierta

Durante la impresión, no abra la cubierta de papel. Si accidentalmente abre la cubierta de papel, la lámpara ERROR parpadea. Confirme la existencia de papel y cierre la cubierta. La impresión se reanuda automáticamente.

- Recalentamiento de la cabeza térmica

Cuando usted imprime caracteres densos o imágenes oscuras, la temperatura de la cabeza se eleva. Si la temperatura de la cabeza excede un nivel especificado, la impresora detiene la operación de impresión y espera hasta que la temperatura de la cabeza disminuya. Durante la espera, la lámpara ERROR parpadea. Cuando la temperatura de la cabeza disminuye, la impresión se reanuda automáticamente.


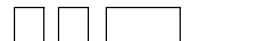








- Bloqueo del cortador

Si la cuchilla del cortador deja de operar debido a atasco de papel o algo parecido, la lámpara ERROR parpadea. Elimine la causa del problema y pulse el pulsador FEED. Si la cuchilla no se mueve y la cubierta no se abre incluso después del procedimiento anterior, siga el procedimiento de la sección 4.4 para abrir la cubierta de papel.

- Error de detección de Marca Negra (en el modo Marca Negra)

Cuando no se puede detectar la Marca Negra aunque se alimente cierta cantidad de papel para la detección de Marca Negra, ocurre un error de detección de Marca Negra. Cuando la detección de Marca Negra continúa después del período especificado, se considera una condición Sin Papel y se indica el mismo error que Sin Papel.

A continuación se muestra el estado de iluminación y parpadeo de cada error inclusive los anteriores.

Estado	Lámpara POWER	Lámpara ERROR	Zumbador
Fin de papel	Se enciende	Se enciende	○
Proximidad de fin de papel	Se enciende	Se enciende	
Error de cubierta abierta	Se enciende	Se enciende	○
Error de cubierta abierta *1	Se enciende		○
Error de bloqueo de cortador	Se enciende		○
Error de recalentamiento de cabeza	Se enciende		
Error de comprobación de memoria		Se enciende	
Error de tensión baja	Se enciende		
Error de tensión alta	Se enciende		
Error de check sum			
Espera de ejecución de macro *2	Se enciende		
Error de detección de Marca Negra	Se enciende		○

*1: Cuando la impresora está imprimiendo.

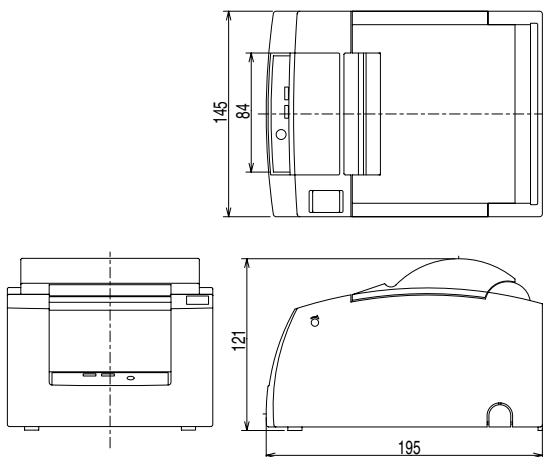
*2: La lámpara ERROR puede parpadear incluso durante la ejecución de la función de macro.

5. OTROS

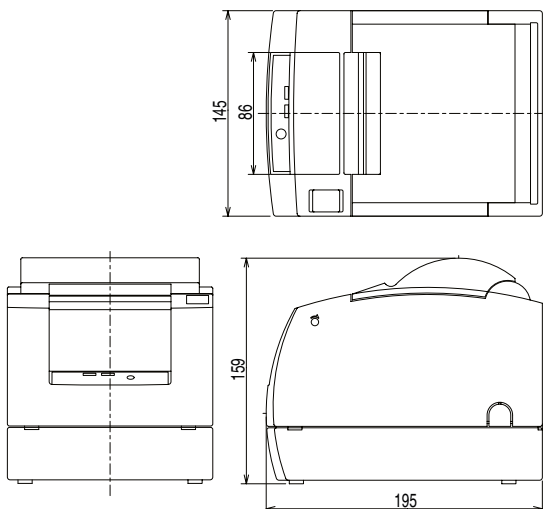
5.1 Vistas Externas y Dimensiones

(Unidad: milímetro)

Modelo con Fuente de Alimentación Incorporada



Modelo con Adaptador de CA



5.2 Ajuste Manual de los “Memory Switches”

Los “memory switches” pueden ser ajustados manualmente o vía comando. Para el ajuste manual, consulte la siguiente página.

En la siguiente tabla se muestra la función de cada “memory switch”. (Los caracteres blancos sobre fondo negro son ajustes de fábrica.)

No. de Conmutador	Ajuste	0 (OFF)	1 (ON)
Memory SW1-1	Power ON Info	Send	Not send
Memory SW1-2	Buffer Size	4k bytes	45 bytes
Memory SW1-3	Busy Condition	Full/Err	Full
Memory SW1-4	Receive Error	Print “?”	No Print
Memory SW1-5	CR mode	Ignored	LF
Memory SW1-6	Reserved	Fixed	-
Memory SW1-7	DSR Signal	Invalid	Valid
Memory SW1-8	Init Signal	Invalid	Valid
Memory SW2-1	Reserved	-	Fixed
Memory SW2-2	Auto Cutter	Invalid	Valid
Memory SW2-3	Spool Print	Invalid	Valid
Memory SW2-4	Full Col Print	CBM1000	EPSON
Memory SW2-5	Resume aft PE	Next	Top
Memory SW2-6	Paper width	80 mm	58 mm
Memory SW2-7	Reserved	Fixed	-
Memory SW2-8	NPE Sensor	Valid	Invalid
Memory SW3-1	Resum Ctrr Err	Feed S/W	Command
Memory SW3-2	Resum Open Err	Close	Command
Memory SW3-3	Parallel 31 Pin	Valid	Invalid
Memory SW3-4	Paper Select	Thermal	Black MK
Memory SW3-5	Column Number	48/32 col	42/30 col
Memory SW3-6	No use	Fixed	-
Memory SW3-7	CBM1000 Mode	Invalid	Valid
Memory SW3-8	Open w/Printing	Auto	Manual
Memory SW4-1	Auto Length	Invalid	Valid
Memory SW4-2	BM Sensor	Surface	Back
Memory SW4-3	No use	OFF	Fixed
Memory SW4-4	No use	OFF	Fixed
Memory SW4-5	No use	OFF	Fixed
Memory SW4-6	No use	OFF	Fixed
Memory SW4-7	No use	OFF	Fixed
Memory SW4-8	Full Cut Cmd	Full Cut	Partial

Ajuste Manual de los "Memory Switches" (Memory SW)

Cada "memory switch" puede ser seleccionado, cambiado, o escrito por la combinación de tres acciones: pulsando el pulsador FEED y manteniéndolo pulsado, abrir o cerrar la cubierta de papel.

1. Entrar en el modo de ajuste de los "memory switches"

Coloque papel en la impresora y mantenga la cubierta de la impresora abierta. Mantenido presionado el pulsador FEED, encienda la impresora, luego pulse dos veces el pulsador FEED. Cierre la cubierta. Si los ajustes actuales del "memory switch" etc, se imprimen, la impresora está ahora en el modo de ajuste de los "memory switches".



2. Selección del "memory switch"

Cuando se pulsa brevemente el pulsador FEED (2 segundos), ocurre la impresión en el orden de "Memory SW1" → "Memory SW2" → "Memory SW3" → "Memory SW4" → "Write/Factory Setting" → "Memory SW1" → repetidamente. Al llegar al "memory switch" que desea cambiar, mantenga pulsado el pulsador FEED (por más de 2 segundos).

3. Selección de las opciones de cada "memory switch"

Existen ocho opciones de ajuste para cada "memory switch". Mantenga pulsado el pulsador FEED por un tiempo prolongado, la impresora pasa a la siguiente opción e imprime el ajuste actual de la opción. Repita el pulsado y el pulsado prolongado hasta llegar a la opción en que desea cambiar el ajuste.



4. Cambio de ajuste

Al llegar a la opción que desea cambiar, pulse brevemente el pulsador FEED. Se imprime el valor del ajuste cambiado. (Para regresar al ajuste anterior pulse brevemente el pulsador FEED). Si pulsa el pulsador FEED por un tiempo largo, se acepta el valor de ajuste y luego la impresora pasa a la siguiente opción de ajuste.

5. Retorno al modo de selección de “memory switch”

Al completar el ajuste del contenido deseado, abra la cubierta de papel y luego cíérrela. Esto permite que la impresora imprima el valor del “memory switch” cambiado.

6. Grabación del ajuste y salida del modo de ajuste de “memory switch”

Presione brevemente el pulsador FEED para pasar a “Write/Factory Setting” (Grabar / Ajustes fábrica). Luego mantenga pulsado el pulsador FEED. La impresora imprime el contenido del nuevo ajuste y sale del modo de ajuste del “memory switch” para retornar al estado de espera normal.

* Si no se hace la grabación del ajuste, el ajuste cambiado no será habilitado.

7. Inicialización del “memory switch”

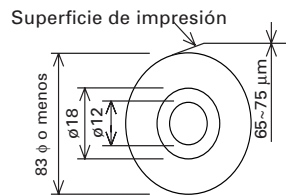
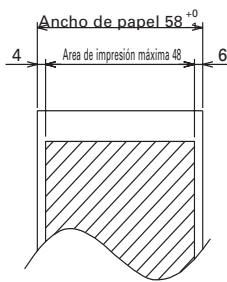
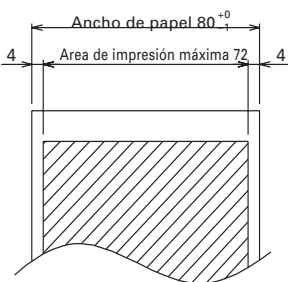
Cuando desea retornar el ajuste del “memory switch” al estado inicial, vaya a “Write/Factory Setting” (Grabar/Ajustes Fábrica) del procedimiento anterior. Aquí, abra la cubierta de papel y mantenga pulsado el pulsador FEED hasta que suene el zumbador. Esto permite que la impresora retorne al estado inicial.

* Todos los ajustes de los “memory switches” retornan a los valores de ajuste de fábrica.

5.3 Papel de Impresión

Utilice el papel de impresión mostrado en la siguiente tabla o papel con calidad equivalente.

Tipo de Papel	Nombre del Producto
Rollo de papel térmico recomendado	TD50KS-E2D de Nippon Paper KF50-HAD, PD150R, PD160R de Ohji Paper F220VP, HP220A de Mitsubishi Paper



Unidad: mm



¡PRECAUCIÓN!

Usar el papel con el inicio del rollo como sigue.

- No hay líneas de pliegues.
- No está doblado hacia arriba.
- No está adherido al núcleo.
- Se usa la superficie externa (lado de impresión hacia fuera).

CITIZEN SYSTEMS JAPAN CO., LTD.

6-1-12, Tanashi-cho, Nishi-Tokyo-shi Tokyo, 188-8511, Japan

Tel: +81 (0) 42 468 4608 Fax: +81 (0) 42 468 4996

<http://www.citizen-systems.co.jp>