

CITIZEN

LINE THERMAL PRINTER

MODEL CT-S851 Type II

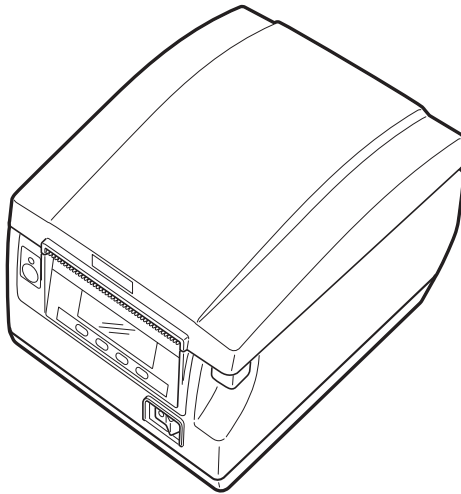
User's Manual

Mode d'emploi

Benutzerhandbuch

Manuale dell'utente

Manual de Usuario



CITIZEN SYSTEMS JAPAN CO., LTD.

WEEE MARK

En If you want to dispose of this product, do not mix it with general household waste. There is a separate collection systems for used electronics products in accordance with legislation under the WEEE Directive and is effective only within European Union.

Ge Wenn Sie dieses Produkt entsorgen wollen, dann tun Sie dies bitte nicht zusammen mit dem Haushaltsmüll. Es gibt im Rahmen der WEEE-Direktive innerhalb der Europäischen Union gesetzliche Bestimmungen für separate Sammelsysteme für gebrauchte elektronische Geräte und Produkte.

Fr Si vous souhaitez vous débarrasser de cet appareil, ne le mettez pas à la poubelle avec vos ordures ménagères. Il existe un système de récupération distinct pour les vieux appareils électroniques conformément à la législation WEEE sur le recyclage des déchets des équipements électriques et électroniques qui est uniquement valable dans les pays de l'Union européenne.

Les appareils et les machines électriques et électroniques contiennent souvent des matières dangereuses pour l'homme et l'environnement si vous les utilisez et vous vous en débarrassez de façon inappropriée.

Sp Si desea deshacerse de este producto, no lo mezcle con residuos domésticos de carácter general. Existe un sistema de recogida selectiva de aparatos electrónicos usados, según establece la legislación prevista por la Directiva sobre residuos de aparatos eléctricos y electrónicos (RAEE), vigente únicamente en la Unión Europea.

It Se desiderate gettare via questo prodotto, non mescolatelo ai rifiuti generici di casa. Esiste un sistema di raccolta separato per i prodotti elettronici usati in conformità alla legislazione RAEE, valida solo all'interno dell'Unione Europea.

Du Deponeer dit product niet bij het gewone huishoudelijk afval wanneer u het wilt verwijderen. Er bestaat ingevolge de WEEE-richtlijn een speciaal wettelijk voorgeschreven verzamelstelsel voor gebruikte elektronische producten, welk alleen geldt binnen de Europese Unie.

Da Hvis du vil skille dig af med dette produkt, må du ikke smide det ud sammen med dit almindelige husholdningsaffald. Der findes et separat indsamlingsystem for udtjente elektroniske produkter i overensstemmelse med lovgivningen under WEEE-direktivet, som kun er gældende i den Europæiske Union.

Por Se quiser deitar fora este produto, não o misture com o lixo comum. De acordo com a legislação que decorre da Directiva REEE – Resíduos de Equipamentos Eléctricos e Electrónicos, existe um sistema de recolha separado para os equipamentos electrónicos fora de uso, em vigor apenas na União Europeia.

Pol Jeżeli zamierzasz pozbyć się tego produktu, nie wyrzucaj go razem ze zwykłymi domowymi odpadkami. Według dyrektywy WEEE obowiązującej w Unii Europejskiej dla używanych produktów elektronicznych należy stosować oddzielne sposoby utylizacji.



Compliance Statement for European Users

CE marking shows conformity to the following criteria and provisions:

Low Voltage Directive (2014/35/EU), EMC Directive (2014/30/EU), and RoHS directive (2011/65/EU)

Full text of the EU declaration of conformity is available at the following internet address:

http://www.citizen-systems.co.jp/en/printer/download/eu_doc.html

IMPORTANT: This equipment generates, uses, and can radiate radio frequency energy and if not installed and used in accordance with the instruction manual, may cause interference to radio communications. It has been tested and found to comply with the limits for a Class A computing device pursuant to Subpart J of Part 15 of FCC Rules, which are designed to provide reasonable protection against such interference when operated in a commercial environment. Operation of this equipment in a residential area is likely to cause interference, in which case the user at his own expense will be required to take whatever measures may be necessary to correct the interference.

CAUTION: Use shielded cable for this equipment.

Sicherheitshinweis

Die Steckdose zum Anschluß dieses Druckers muß nahe dem Gerät angebracht und leicht zugänglich sein.

For Uses in Canada

This Class A Information Technology Equipment (ITE) complies with Canadian CAN ICES-3(A)/NMB-3(A).

This Information Technology Equipment (ITE) does not exceed the Class A limits for radio noise emissions from digital apparatus set out in the Radio Interference Regulations of the Canadian Department of Communications.

Pour L'utilisateurs Canadiens

Cet Equipements informatiques (EI) de la classe A est conforme a la norme CAN ICES-3(A)/NMB-3(A) du Canada.

Le present Equipements informatiques (EI) n'emet pas de bruite radio electriques depassant les limites applicables aux appareils numeriques de la classe A prescrites dans le Reglement sur le brouillage radioelectrique edicte par le ministere des Communications du Canada.

ENGLISH

GENERAL PRECAUTIONS

- Before using this product, be sure to read through this manual. After having read this manual, keep it in a safe, readily accessible place for future reference.
- The information contained herein is subject to change without prior notice.
- Reproduction or transfer of part or all of this document in any means is prohibited without permission from Citizen Systems.
- Note that Citizen Systems is not responsible for any operation results regardless of omissions, errors, or misprints in this manual.
- Note that Citizen Systems is not responsible for any trouble caused as a result of using options or consumables that are not specified in this manual.
- Except explained elsewhere in this manual, do not attempt to service, disassemble, or repair this product.
- Note that Citizen Systems is not responsible for any damage attributable to incorrect operation/handling or improper operating environments that are not specified in this manual.
- Data is basically for temporary use and not stored for an extended period of time or permanently. Please note that Citizen Systems is not responsible for damage or lost profit resulting from the loss of data caused by accidents, repairs, tests or other occurrences.
- If you find omissions, errors, or have questions, please contact your Citizen Systems dealer.
- If you find any pages missing or out of order, contact your Citizen Systems dealer for a replacement.

Use of the Made for Apple badge means that an accessory has been designed to connect specifically to the Apple product(s) identified in the badge and has been certified by the developer to meet Apple performance standards. Apple is not responsible for the operation of this device or its compliance with safety and regulatory standards.

Please note that the use of this accessory with an Apple product may affect wireless performance.

- Apple, Apple TV, Apple Watch, iPad, iPad Air, iPad Pro, iPhone, and Lightning are trademarks of Apple Inc., registered in the U.S. and other countries. tvOS is a trademark of Apple Inc. The trademark "iPhone" is used in Japan with a license from Aiphone K.K.
- EPSON and ESC/POS are registered trademarks of Seiko Epson Corporation.
- QR Code is a registered trademark of DENSO WAVE INCORPORATED.
- Ethernet is a registered trademark of Fuji Xerox Corporation.
- Bluetooth[®] is a registered trademark of Bluetooth-SIG Inc.
- CITIZEN is a registered trademark of Citizen Watch Co., Ltd. Japan
- All other trademarks are the property of their respective owners.
- Citizen Systems use these trademarks in accordance with the license of relevant owners.

Copyright ©2019 by CITIZEN SYSTEMS JAPAN CO., LTD.

SAFETY PRECAUTIONS ...WHICH SHOULD BE STRICTLY OBSERVED

Before using this product for the first time, carefully read these SAFETY PRECAUTIONS. Improper handling may result in accidents (fire, electric shock or injury).

In order to prevent injury to operators, third parties, or damage to property, special warning symbols are used in the User's Manual to indicate important items to be strictly observed.

- After having read this Manual, keep it in a safe, readily accessible place for future reference.
- Some of the descriptions contained in this manual may not be relevant to some printer models.

The following describes the degree of hazard and damage that could occur if the printer is improperly operated by ignoring the instructions indicated by the warning symbols.



WARNING

Neglecting precautions indicated by this symbol may result in fatal or serious injury.



CAUTION

Neglecting precautions indicated by this symbol may result in injury or damage to property.



This symbol is used to alert your attention to important items.



This symbol is used to alert you to the danger of electric shock or electrostatic damage.



This symbol denotes a request to unplug the printer from the wall outlet.



This symbol is used to indicate that the power supply must be grounded.



This symbol is used to indicate useful information, such as procedures, instructions or the like.



This symbol is used to indicate prohibited actions.

PRECAUTIONS ON PRINTER INSTALLATION

WARNING

■ Do not use or store this product in a place where it will be exposed to:

- * Flames or moist air.
- * Direct sunlight.
- * Hot airflow or radiation from a heating device.
- * Salty air or corrosive gases.
- * Ill-ventilated atmosphere.
- * Chemical reactions in a laboratory.
- * Airborne oil, steel particles, or dust.
- * Static electricity or strong magnetic fields.

● **Neglecting these warnings may result in printer failure, overheating, emission of smoke, fire, or electric shock.**



■ Do not drop any foreign object nor spill liquid into the printer. Do not place any object on the printer either.

■ Do not drop any metallic object such as paper clips, pins or screws into the printer.

■ Do not place a flower vase, pot, or anything containing water on the printer.

■ Do not spill coffee, soft drinks, or any other liquid into the printer.

■ Do not spray insecticide or any other chemical liquid over the printer.

● **Dropping a metallic foreign object into the printer, may cause printer failure, fire, or electric shock. Should it occur, immediately turn the printer off, unplug it from the supply outlet, and call your local Citizen Systems dealer.**



Do not handle the printer in the following ways:

■ Do not subject the printer to strong impacts or hard jolts (e.g., being stepped on, dropped or struck).

■ Never attempt to disassemble or modify the printer.

● **Neglecting to handle properly may result in printer failure, overheating, emission of smoke, fire, or electric shock.**



■ Install, use, or store the printer out of the reach of children.

● **Electric appliances could cause an unexpected injury or accident if they are handled or used improperly.**

● **Keep the power cord and signal cables out of the reach of children. Also children should not be allowed to gain access to any internal part of the printer.**

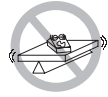
● **The plastic bag the printer came in must be disposed of properly or kept away from children. Wearing it over the head may lead to suffocation.**



CAUTION

Do not use the printer under the following conditions.

- Avoid locations subject to vibration or instability.
- Avoid locations where the printer is not level.
- **The printer may fall and cause an injury.**
- **The quality of printing may deteriorate.**
- Do not obstruct the printer's air vents.
- Do not place anything on the printer.
- Do not cover or wrap the printer in cloth or blankets.
- **Doing so could cause heat to build up and deform the case or start a fire.**
- Avoid using the printer near a radio or TV set or from supplying it from the same electric outlet as these appliances.
- Avoid using the printer interconnected with a cable or cord that has no protection against noise. (For interconnections, use shielded or a twisted pair of cables and ferrite cores, or other anti-noise devices.)
- Avoid using the printer with a device that is a strong source of noise.
- **The printer may have an adverse effect on nearby radio or TV transmissions. There may also be cases when nearby electrical appliances adversely influence the printer, causing data errors or malfunction.**
- Installed in any orientation other than those specified.
- **Malfunction, failure, or electric shock may result.**



- Connect the printer to a ground.
- **Electric leakage may cause an electric shock.**
- Do not connect the printer's ground to any of the following:
 - * Gas piping
 - **A gas explosion could result.**
 - * Telephone line ground
 - * Lightning rod
 - **If lightning strikes a large surge of current may cause fire or shock.**
 - * Water pipes
 - **Plastic water pipes should not be used for grounding. (Those approved by a Waterworks Department may be used.)**
- Before connecting or disconnecting the grounding lead to or from the printer, always unplug it from the electric outlet.



PRECAUTIONS IN HANDLING THE PRINTER

WARNING

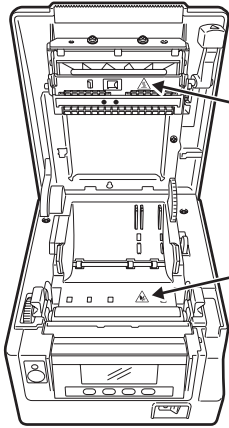
Please observe the following precautions for power source and power cord:

- Do not plug or unplug the power cord with a wet hand.
- Use the printer only at the specified supply voltage and frequency.
- Use only the specified AC adapter with the printer.
- Check to make sure that the supply outlet from which the printer is powered has a sufficient capacity.
- Do not supply the printer from a power strip or current tap shared with other appliances.
- Do not plug the power cord into an electric outlet with dust or debris left on the plug.
- Do not use a deformed or damaged power cord.
- Do not move the printer while its power is on.
- **Neglecting to handle it properly may result in printer failure, emission of smoke, fire, or electric shock.**
- **An overload may cause the power cord to overheat, catch fire, or the circuit breaker to trip.**
- Do not allow anything to rest on the power cord. Do not place the printer where the power cord may be stepped on.
- Do not use or carry the printer with its power cord bent, twisted, or pulled.
- Do not attempt to modify the power cord unnecessarily.
- Do not place the power cord near any heating device.
- **Neglecting these cautions may cause wires or insulation to break, which could result in electric leakage, electric shock, or printer failure. If the power cord sustains damage, contact your Citizen Systems dealer.**
- Do not leave things around the electric outlet.
- Supply power to the printer from a convenient electric outlet, readily accessible in an emergency.
- **Pull the plug to immediately shut it down in an emergency.**
- Insert the power plug fully into the outlet.
- If the printer will not be used for a long time, disconnect it from its electric outlet.
- Hold the plug and connector when plugging or unplugging the power cord or signal cable after turning off the printer and the appliance connected to it.



CAUTION

Caution label is attached in the position shown in the following figure. Carefully read the handling precautions before using the printer.



THIS LABEL INDICATES THE RISK OF BURNS DUE TO THE HIGH TEMPERATURE OF THE PRINT HEAD AND A RISK OF BEING CUT BY THE MANUAL AND AUTO CUTTERS WHILE THE PAPER COVER IS OPEN.



- Do not transport this printer with the paper roll inside.
- **Printer failure or damage may occur.**

To prevent possible malfunction or failure observe the following.

- Do not open the paper cover during printing.
- Avoid operating the printer without paper properly loaded.
- Avoid the use of paper not complying with specifications.
- **May result in poor print quality.**
- Avoid using torn pieces of paper or paper spliced with plastic adhesive tape.
- Avoid forcibly pulling already loaded paper by hand.
- Avoid using a sharp pointed device to operate panel buttons.



- Be sure to firmly insert the cable plugs into their mating sockets.
- **A cross connection may damage the printer's internal electronics or the host system's hardware.**
- Only use the printer with devices that have designated solenoid specifications for the cash drawer interface connector.
- **Neglecting this caution may result in malfunction or failure.**



CAUTION

To prevent injury and printer failures from worsening, observe the following:

- While the paper cover is open, be careful to not touch the manual cutter that is in the paper eject slot.
- Do not touch the printing surface of the thermal head.
- Do not touch any of the moving parts (e.g., paper cutter, gears, active electric parts) while the printer is working.
- In case of trouble do not attempt to repair the printer. Ask Citizen Systems service for repair.
- Be careful that the covers do not pinch your hands or fingers.
- Be careful of the sharp edges on the printer. Do not allow them to injure you or damage property.
- **May result in electric shock, burn, or injury.**



If the printer emits smoke, an odd smell, or unusual noise while printing, immediately abort the current print session and unplug the printer from the electric outlet.

DAILY MAINTENANCE

Observe the following precautions for daily maintenance.

- When cleaning the printer, always turn it off and unplug it from the electric outlet.
- Use a soft, dry cloth for cleaning the surface of the printer case. For severe stains, use a soft cloth slightly dampened with water. Never use organic cleaning solvent such as alcohol, paint thinner, trichloroethylene, benzene, or ketone. Never use a chemically processed cleaning cloth.
- To remove paper dust, use a soft brush.



CAUTION

- **The thermal head is at a dangerously high temperature immediately after printing. Allow it to cool off before starting maintenance work.**

THE TABLE OF CONTENTS

1. GENERAL OUTLINE	9
1.1 Features.....	9
1.2 Unpacking.....	10
1.3 Model Classification	10
1.4 Basic Specifications.....	11
2. EXPLANATION OF PRINTER PARTS	13
2.1 Printer Appearance	13
2.2 Inside the Paper Cover	16
2.3 Other Built-in Functions.....	17
3. SETUP	19
3.1 Connecting the AC Power Cord	19
3.2 Serial Interface Board	20
3.3 USB Interface Board.....	21
3.4 Bluetooth Interface Board	22
3.5 Ethernet (LAN)/Wireless LAN Interface Board	24
3.6 The previous model Ethernet (LAN) Interface Board.....	29
3.7 Connecting Other Interface Cables	32
3.8 Connecting the Cash Drawer	33
3.9 Precautions for Installing the Printer	35
3.10 Partition for Paper Roll.....	36
3.11 Setting the DIP Switch on the Serial Interface Board.....	37
3.12 Adjusting the Paper Near-end Sensor.....	38
3.13 Loading Paper.....	39
3.14 Attaching the Power Switch Cover.....	40
3.15 Attaching the Interface Cover.....	41
3.16 Removing the Interface Cover.....	41
3.17 Download Site for Various Electronic Files	42
3.18 Precautions for Creating Applications and Practical Operations	42
4. MAINTENANCE AND TROUBLESHOOTING	43
4.1 Periodic Cleaning	43
4.2 Clearing a Cutter Lock (1)	44
4.3 Clearing a Cutter Lock (2)	44
4.4 Function Test Mode	46
4.5 Key Lock Function	48
4.6 Hexadecimal Dump Printing.....	49
4.7 Error Messages	50
4.8 Paper Jams.....	52
4.9 Serial Interface Operation Precautions	52
5. OTHER	53
5.1 External Views and Dimensions	53
5.2 Printing Paper	54
5.3 Manual Setting of Memory Switches.....	55

1. GENERAL OUTLINE

The CT-S851III line thermal printer series is designed for use with a broad array of terminal equipment including data, POS, and kitchen terminals. These printers have extensive features so they can be used in a wide range of applications.

1.1 Features

- High-speed (300 mm/s) printing
- Design so compact it can be installed anywhere (maximum 3-inch (83-mm) paper roll size)
- Waterproof construction prevents water from entering through the top
- Paper is output from the front so the printer can be placed in restricted spaces
- Choose from two models with either 3-inch (83/80 mm) or 2-inch (60/58 mm) wide paper rolls
- Built-in power supply or AC adapter types available
- Printer status and errors indicated by LCD, LED, and a buzzer
- LCD and four buttons make it easy to change settings
- Equipped with a fast and quiet cutter
- Easy to clear cutter jams
- USB power supply OFF
- Interchangeable interface
- A USB host function that can control peripheral devices is provided for the wired LAN interface.
- Built-in cash drawer kick-out interface
- Memory switches make customization possible
- Store user-defined characters and logos on user memory
- Barcode and 2D barcode printing supported
- 16 level greyscale and clear printing
- Paper saving functions
- Japanese Kanji, Chinese(simplified and traditional) and Hangul supported
- Driver and utility software included
- Apple MFi certified Bluetooth communication support (Bluetooth model)
- Some models support black mark paper

1.2 Unpacking

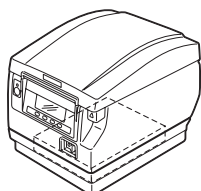
Make sure the following items are included with your printer.

- Printer: 1
- Interface cover: 1
- AC power cord: 1
- Power switch cover: 1
- Sample paper roll: 1 roll
- Quick Start Guide: 2
- AC adapter*1: 1
- USB cable*2: 1

Notes:

*1: CT-S851IIA only

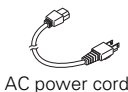
*2: USB interface types only
In designated markets



CT-S851IIS

(Built-in power supply type)

36AD3/37AD3 AC adapter built in



AC power cord



USB cable



Sample paper roll



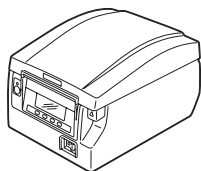
Quick Start Guide



Power switch cover



Interface cover



CT-S851IIA

(AC adapter type)



AC adapter
(36AD2/37AD5)



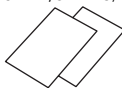
AC power cord



USB cable



Sample paper roll



Quick Start Guide



Power switch cover



Interface cover

1.3 Model Classification

Model numbers indicate printer features according to the following system.

CT - S851IIS 3 RS E - BK - P M1

Power supply

DC: No power source

S: Built-in power supply type

A: AC adapter type

Paper width

3: 3 inch (80/83 mm)

2: 2 inch (58/60 mm)

Interface

PA: Parallel

RS: Serial RS-232C

UB: USB only

UH: USB with hub

ET: Ethernet (standard type)

ES: Ethernet (multi-function type)

UP: Powered USB

BT: Bluetooth

WF: WiFi(2.4GHz) W5: WiFi(5.0GHz)

HET: Ethernet (USB host function)

Market*

J: Japan

U: North America

C: China

A: Asia/Oceania

BM sensor

: No

M1: Left side

M2: Right side

PNE sensor

: No

P: PNE sensor

Body case color

WH: Cool white

BK: Black

Certain combinations may not be available. Check with Citizen beforehand.

Note:

*: AC power cord, serial I/F screw, firmware and other specifications vary according to markets.

1.4 Basic Specifications

Item	Specifications					
Model	CT-S851II					
Print method	Line thermal dot print method					
Print width *1	80 mm/640 dots, 72 mm/576 dots, 64 mm/512 dots, 54.5 mm/436 dots, 54 mm/432 dots, 52.5 mm/420 dots, 48 mm/384 dots, 45 mm/360 dots, 48.75 mm/390 dots, 68.25 mm/546 dots					
Dot density	8 × 8 dots/mm (203 dpi)					
Print speed	300 mm/s (fastest, print density 100%, 2400 dot-lines/s)					
Number of print columns *2	—	Maximum number of characters (columns)				Dot configuration (dots)
	Paper width	83 mm	80 mm	60 mm	58 mm	
	Font					
	Font A	53	48	36	35	12 × 24
	Font B	71	64	48	46	9 × 24
Font C	80	72	54	52	8 × 16	
Character size*3	Font A: 1.50 × 3.00 mm Font B: 1.13 × 3.00 mm Font C: 1.00 × 2.00 mm					
Character type	Alphanumeric, international, PC437/850/852/857/858/860/863/864/865/866, WPC1252, katakana, ThaiCode 11/18(1Pass/3Pass), TCVN-3					
Liquid crystal display (LCD)	128 × 32 dots STN liquid crystal, white/red LED backlight					
User memory	384 KB (capable of storing user-defined characters and logos)					
Bar code types	UPC-A/E, JAN (EAN) 13/8 columns, ITF, CODE39, CODE128, CODABAR (NW-7), CODE93, PDF417, QR Code, GS1-Databar					
Line spacing	4.23 mm (1/6 inch) (changeable using commands)					
Paper roll	Paper roll: 83 ⁺⁰ ₋₁ mm/80 ⁺⁰ ₋₁ mm/60 ⁺⁰ ₋₁ mm/58 ⁺⁰ ₋₁ mm × maximum φ83 mm Paper thickness: 65 to 75 μm (core tube diameter: inner 12 mm/outer 18 mm) 75 to 85 μm (core tube diameter: inner 25.4 mm/outer 32 mm)					
Interface	Serial (RS-232C compliant), parallel (IEEE 1284 compliant), USB, USB with hub, Ethernet, Powered USB, Bluetooth(3.0), wireless LAN (802.11b/g or 802.11a/b/g/n), LAN(USB host function) (USB 2 port)					
Cash drawer kick-out	Supports 2 cash drawers					
Buffer size	4 k bytes/45 bytes					
Supply voltage	DC 24 V ±5%					
Power consumption	Approximately 45 W (normal printing), 3 W (standby)					
AC adapter *4 (36AD2/3, 37AD3/5)	Rated input: AC 100 to 240 V, 50/60 Hz, 150 VA Rated output: DC 24 V, 2.1 A					

Item	Specifications
Weight	CT-S851IIS: Approx. 1.9 kg, CT-S851IIA: Approx. 1.5 kg
Outside dimensions	CT-S851IIS: 145 (W) × 192 (D) × 142 (H) mm CT-S851IIA: 145 (W) × 192 (D) × 114 (H) mm
Operating temperature and humidity	5 to 45°C, 10 to 90% RH (no condensation)
Storage temperature and humidity	-20 to 60°C, 10 to 90% RH (no condensation)
Reliability	Print head life: 150 km, 200 million pulses (at normal temperature and humidity using recommended paper) Auto cutter life: 2 million cuts (full cut), 1.6 million cuts (partial cut) (at normal temperature/humidity, using recommended paper and paper thickness)
Safety standard *5	UL, cUL, FCC, IC, CE, UKCA *

*: Please contact us for information on other regions and the latest status such as standard numbers.

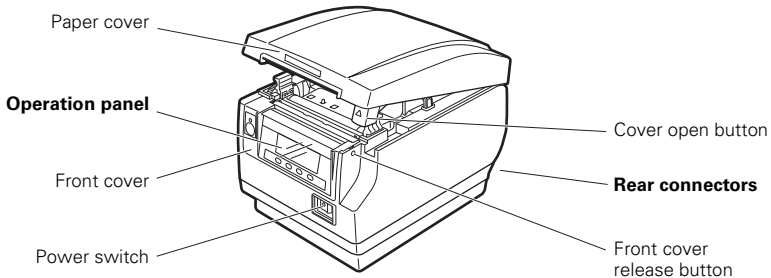
Notes:

- *1: When paper width is 83, 80, 60, or 58 mm.
- *2: The number of printable columns is selected using a memory switch.
The numbers of columns noted in this table refer to typical models. The number of columns varies depending on specifications.
- *3: Characters appear small because the dimensions include a blank area surrounding each character.
- *4: The 36AD2/37AD5 is the AC adapter packaged as an accessory with the CT-S851IIA.
The 36AD3/37AD3 is the AC adapter built in to the CT-S851IIS.
- *5: Compliant if the Citizen Systems AC adapter (36AD2/3, 37AD3/5) is used.

2. EXPLANATION OF PRINTER PARTS

2.1 Printer Appearance

Names of parts



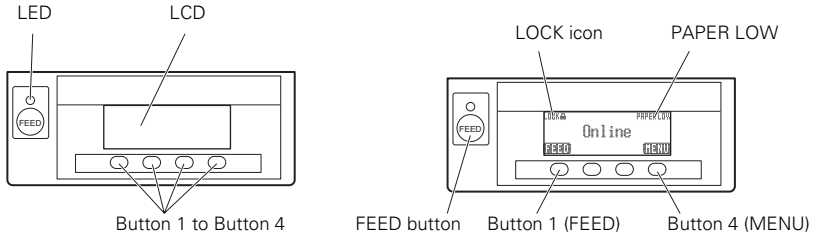
- Paper cover
Open to load paper.
- Cover open button
Use this button to open the paper cover.
- Front cover
Open and close this cover to clear a cutter lock.



Refer to 4.3 Clearing a Cutter Lock (2)

- Front cover release button
Press this button to open the front cover.
- Power switch
Press this switch to turn the power on or off.

Operation panel



Examples are shown in the diagram of the LCD above on the right.

- **LCD**
Indicates the printer's status, button names, types of errors, and messages.
- **LED**
Lights green when the power is on, turns off when the power is off.
Flashes green when receiving data.
Lights red in special modes and in case of errors.
Lights orange when paper is low (paper near-end) or the print head is hot.
- **Button 1 to Button 4**
Functions assigned to these buttons vary depending on the active mode. The buttons below the LCD are called button 1, button 2, button 3, and button 4 in order from left to right.
- **FEED button**
Press this button to feed paper.
To release a cutter lock, remove the cause of the lock, close the paper cover, and then press the FEED button.



Refer to 4.7 Error Messages

- **MENU button**
Press and hold this button (for at least two seconds) to access the memory switch setting mode.



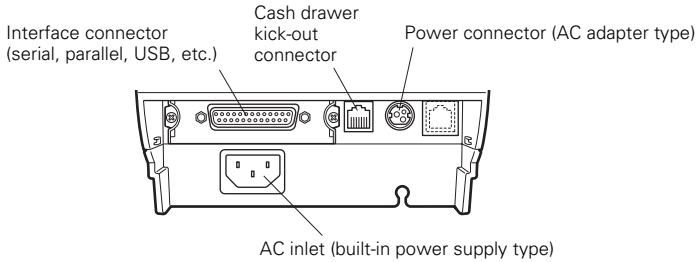
Refer to 5.3 Manual Setting of Memory Switches

- **PAPER LOW**
Appears when the paper roll is near its end.
- **LOCK icon**
This icon indicates that the MENU button is inoperative.



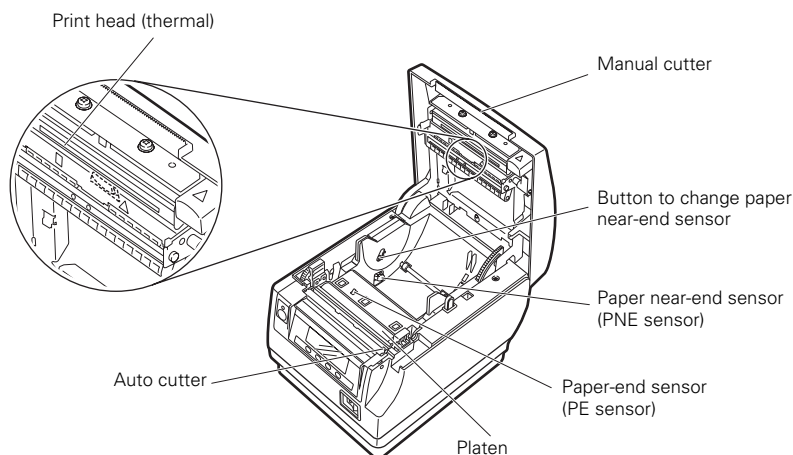
Refer to 4.5 Key Lock Function

Rear connectors



- **Interface connector (serial, parallel, USB, etc.)**
Connects to the interface cable.
The serial interface board is equipped with a DIP switch.
- **Cash drawer kick-out connector**
Connects to the cable from the cash drawer.
- **Power connector (AC adapter type)**
Connects to the AC adapter cable.
- **AC inlet (built-in power supply type)**
Connects to the AC power cord.

2.2 Inside the Paper Cover



- Platen
Feeds the paper.
Do not remove the platen except to do maintenance.
- Paper near-end sensor (PNE sensor)
Detects when the paper is near the end of the roll. Adjust the position of the sensor to determine when it detects the end of the paper is near.
- Button to change paper near-end sensor
Change the position of the paper near-end sensor to match the paper being used.



Refer to 3.12 Adjusting the Paper Near-end Sensor

- Manual cutter
For cutting the paper manually when printing is finished.
- Auto cutter
Automatically cuts the paper when printing is finished.



Refer to 5.3 Manual Setting of Memory Switches

- Print head (thermal)
Prints characters and graphic data on paper (paper rolls).

- Paper end sensor (PE sensor)
Detects when there is no paper. Printing stops when this sensor detects there is no paper.

2.3 Other Built-in Functions

- Buzzer
Buzzes when errors occur or when operations or command operations are performed.



Refer to 4.7 Error Messages

- User memory
You can save user-defined logo and character data in this memory. Data remains stored in this memory even if the printer is turned off. For information on how to save data, refer to the Command Reference.
- Memory switch
Setting of various kinds of functions can be stored in memory. Settings remain stored in the memory even if the printer is turned off.
- USB power supply OFF (When memory switch MSW6-3 is set to ON)
When the printer is connected to a PC by USB, turning off PC power or terminating the USB connection causes printer USB power to turn off three seconds later.
This mode is canceled when the PC is turned back on or when a USB connection is established.



CAUTION

- The POWER LED is unlit when USB power supply is OFF, and the power OFF state cannot be identified.
 - Pressing POWER while USB power is off does not turn on power immediately. After a while, USB power supply OFF is canceled and pressing POWER turns on power normally.
- Paper saving functions
Memory switches MSW8-3 through MSW8-5 can be used to configure the settings below, which save paper.
 - Top margin suppression
The printer back feeds the paper before printing which reduces the blank space at the top edge of the paper.
The back feed amount can be specified.
 - Line gap reduce
Automatically compresses the linefeed amount between lines. The compression ratio can be specified.

- Text compression vertical/horizontal
Makes the print size smaller.
The compression amount is specified by a combination of vertical and horizontal compression ratios.
- Auto side shift (MSW8-6)
This function dissipates heat load during frequent heat generation by a vertical ruled line or other specific head heating element.
If no data is received within 15 seconds after each cut or print, the print position is automatically slid N* dots to the right. The original print position is returned to at the next slide timing.
* N is the MSW8-6 setting value.



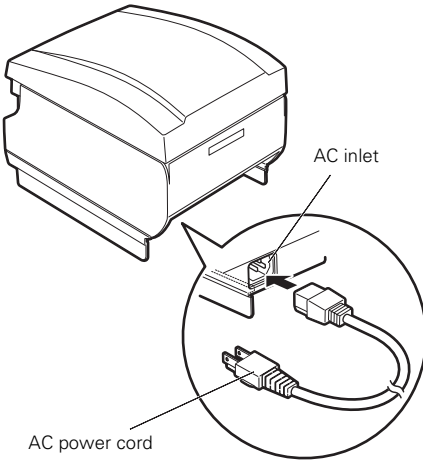
CAUTION

- Before configuring the top margin suppression setting, first remove any partially cut paper from the printer. Failure to do so can cause the cut paper to be torn off by the next print operation, which can cause printer trouble.
- Note the following precautions when using text compression.
 - **Compressed text is more difficult to read than the original text.**
 - **Horizontally compressing text also makes the print range smaller, so the number of print lines does not change. Pay close attention to the print range when using narrow paper.**
 - **Do not use compressed text when printing a bar code. Doing so may make the bar code unreadable.**
- If the right margin is too narrow, this may result in some print characters being cut off. This function is disabled under initial settings. To enable this function, use MSW8-6 to specify an appropriate value for the maximum slide amount.

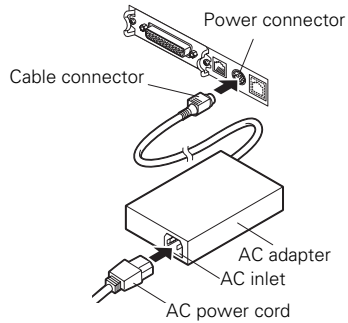
3. SETUP

3.1 Connecting the AC Power Cord

1. Turn off the power.
2.
 - For the built-in power type printer, connect the AC power cord to the AC inlet, and insert the plug into an electric outlet.
 - For the AC adapter type printer, connect the cable connector of the AC adapter to the power connector. Next, connect the AC power cord to the AC inlet, and insert the plug into an electric outlet.



Built-in power supply type



AC adapter type



CAUTION

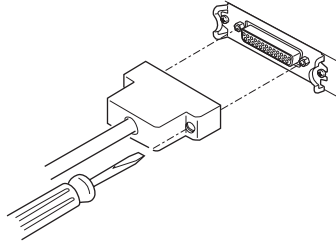
- Use only an AC adapter that complies with the specified ratings.
- Always hold the AC adapter's cable connector by the connector when removing or inserting it.
- Use an AC power source that does not also supply power to equipment that generates electromagnetic noise.
- Pulling on the AC power cord may damage it, cause a fire, electric shock, or break a wire.
- If a lightning storm is approaching, unplug the AC power cord from the electric outlet. A lightning strike may cause a fire or electric shock.
- Keep the AC power cord away from heat generating appliances. The insulation on the AC power cord may melt and cause a fire or electric shock.
- If the printer is not going to be used for a long time, unplug the AC power cord from the electric outlet.
- Place the AC power cord so that people do not trip on it.
- For the AC adapter type printer, be sure to unplug the AC power cord when connecting the cable connector to the power connector. If the AC power cord is left plugged into the electric outlet, the 24 V and GND terminals of the cable connector may come into contact with the screw head or other metal parts and cause a short circuit, resulting in malfunction of the AC adapter.

3.2 Serial Interface Board

Data can be exchanged by serial communication.

Connecting the Interface Cable

1. Turn off the power.
2. Orient the cable correctly and insert it into the connector.



3. Insert the other connector firmly into the interface port of the host computer.

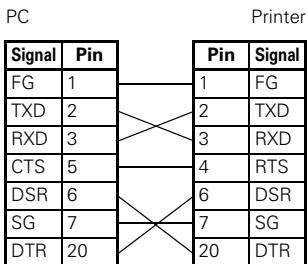


CAUTION

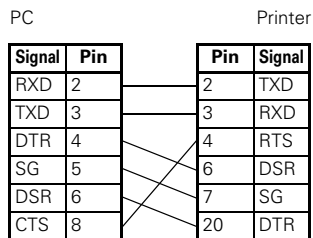
- When disconnecting the cable, always hold the connector.
- Place the interface cable so people do not trip on it.

Use a serial interface cable with the connection layout shown below.

25-pin - 25-pin cable



9-pin - 25-pin cable



3.3 USB Interface Board

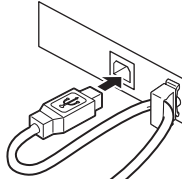
Data can be exchanged by USB communication.

Specifications

Standard	USB 2.0 specification-compliant
Communication speed	Supports 12 Mbps (Full-Speed) transfer

Connecting the Interface Cable

1. Turn off the power.
2. Orient the cable correctly and insert it into the connector.



3. Insert the other connector firmly into the interface port of the host computer.

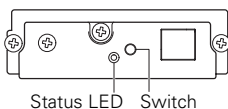


CAUTION

- When disconnecting the cable, always hold the connector.
- Place the interface cable so people do not trip on it.
- Be careful not to insert the USB interface cable into the cash drawer kick-out connector.
- To connect more than one printer to a single computer via a USB interface you must change the serial number of the USB interface.

3.4 Bluetooth Interface Board

Bluetooth status LED



The LED on the Bluetooth interface board on the rear of the printer indicates the status below.

Status	Description	LED Status
Detection standby (Discoverable)	Standing by for detection and connection	
Connection standby (Connectable)	Standing by for connection	
iOS connection	Data session unopened	
Communicating	iOS: data session opened Other OS: connection established and communication in progress	
Error	Error or settings being configured	Unlit

Pairing operation

You need to perform the operations below the first time you establish a Bluetooth connection for Bluetooth data communication.

- A: Detect Bluetooth devices
- B: Configure pairing settings

A: Detecting Bluetooth devices

Confirm that Bluetooth is enabled on the host PC before searching for Bluetooth devices.

This product will show up as "CT-S851IL_XX"(XX is last 2 digits of unique **Serial Number**.) when it is detected.

Select this product from among the detected devices.

Note: You can search for devices and change the names.

When memory switch MSW13-5 is set to "No Response" nothing is displayed by device detection.

You can temporarily switch this setting to device detection (detect mode) by pushing the switch on the Bluetooth interface board. Detect mode is exited when the connection between the host PC is terminated.

B: Configuring pairing settings

Normally, selecting the printer during device detection will transition directly to pairing settings.



CAUTION

Some host PC configurations and models may not transition directly to pairing settings after the printer is selected during device detection.

The operation required to configure pairing settings depends on whether SSP (secure simple pairing) is enabled on the host PC.

If SSP is enabled on the host PC, pairing can be achieved without additional operations.

If SSP is disabled on the host PC, you will be prompted to input a passkey.

Input the passkey as described below.

Passkey	Last four digits of the address on the self test printout (Letters A through F are uppercase) Example: If the address is 01:23:45:67:89:AB the passkey is 89AB.
---------	--

If you delete pairing information from the host PC without deleting the corresponding pairing information on the printer, the printer may not show up if you detect devices again with the host PC.

To delete printer pairing information, hold down the switch on the Bluetooth interface board for two seconds or more.

Deleting pairing information on the printer will put the printer into discovery mode.

Auto reconnection

With iOS device Bluetooth communication, a connection between a paired iOS device and the printer is not automatically restored after it is lost. However, when auto reconnection is enabled, the printer tries to reconnect with an iOS device after two-way communication is enabled and automatically restores the connection.



CAUTION

This function is enabled when shipped from the factory. (MSW13-6)

Auto reconnection can take some time to connect when the host is not an iOS device.

■ Even if the partner device is an iOS device, the conditions below can interfere with the auto reconnection function.

- **When you want Bluetooth communication to cut off after printing is complete**
- **When there are multiple iOS devices printing on the same printer**

Under such conditions, disable auto reconnection.

Enabling and disabling auto reconnection

To change the setting of this feature, the following method is provided.

Press the FEED button 3 times during self test -> Auto reconnect = Valid

Press the FEED button 4 times during self test -> Auto reconnect = Invalid

At the end of self printing, new setting will be printed as Auto reconnect [Valid] or [Invalid]



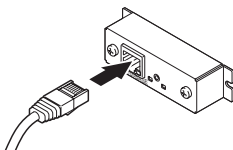
Refer to 4.4 Function Test Mode

3.5 Ethernet (LAN)/Wireless LAN Interface Board

This section provides an overview of the interface board. For details on this board, including explanations about the USB host function and XML peripheral device support, refer to the separate manual.

Connecting the Interface Cable

1. Turn off the power.
2. Orient the cable correctly and insert it into the connector.



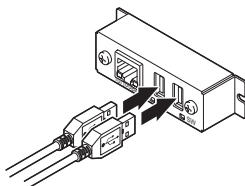
3. Connect the other connector to a hub, router, or similar device.

CAUTION

- When disconnecting the cable, always hold the connector.
- Place the interface cable so people do not trip on it.
- Hold the connector of the LAN cable perpendicular and straight when connecting or disconnecting it. Doing it at an angle may cause the connector to misconnect.

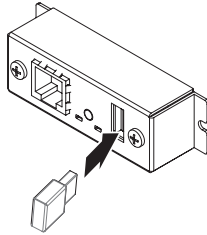
Connecting a Peripheral Device

1. Turn off the power.
2. Insert the cable of the peripheral device into the connector.



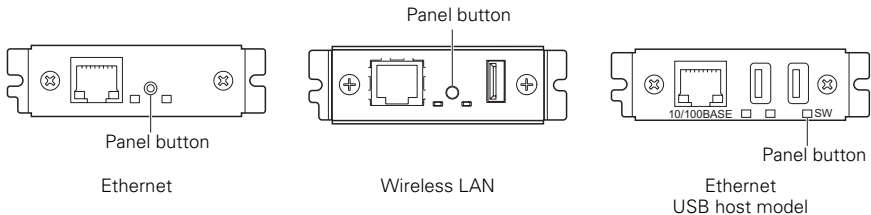
Connecting the wireless LAN adapter

1. Turn off the power.
2. Connect the wireless LAN adapter to the connector.



Panel button operation

Board operations are performed using the panel button on the rear of the LAN board.



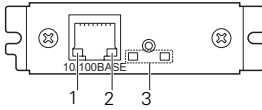
- Enabling LAN connection
Turn on the printer. Operation of this board will start about 20 seconds later.
- Printing LAN setup information
Press the panel button.
- Entering setting mode
Hold down the panel button. A buzzer* will sound once to indicate that setting mode has been entered.
 - You can use setting mode to read factory settings.
 - If no operation is performed for 3 seconds in configuration mode, the mode switches back to normal mode.
- Returning to factory settings
Enter the board setting mode, and then hold down the panel button. This returns the board to its factory settings.

CAUTION

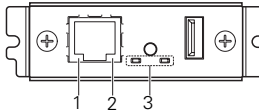
The board will automatically restart after this operation is complete. After clearing settings, you will need to re-configure network settings.

LED Functions

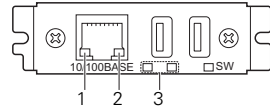
The tables below explain how to interpret LED indications.



Ethernet



Wireless LAN



Ethernet
USB host model

1. Wired LAN transmission speed

Transmission speed	LED (green)
100 Mbps	Lit
10 Mbps/Not connected	Unlit

2. Wired LAN connection/transmission status

Connection status	LED (yellow)
Connected	Lit
Not connected	Unlit
Data transmission in progress	Flashing

3. Wired/Wireless LAN status

Connection status		LED (green)	LED (red)	Description
No printer connection		Unlit	—	Board is not connected with a printer.
Printer connection	No network connection	Lit	Unlit	Board is connected with a printer.
	Connected by wired LAN	Lit	Flashing (1-second cycle)	Getting an IP address from the DHCP server over wired LAN.
	Wired LAN operation	Lit	Lit	Network operation being performed over wired LAN.
	Connected by wireless LAN*	Flashing (2-second cycle)	Flashing (1-second cycle)	Connecting to an access point or getting an IP address from the DHCP server over wireless LAN.
	Wireless LAN operation*	Flashing (2-second cycle)	Lit	Network operation being performed over wireless LAN.
Resource error		Alternate flashing (1-second cycle)		Board is unable to operate normally.
System error		Alternate flashing (0.2-second cycle)		Board is unable to operate normally.

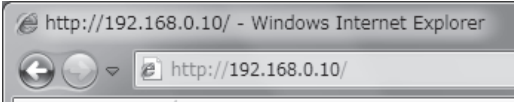
*: Only when using wireless LAN

Web Manager

The interface board has a Web Manager function that can be used to connect to the board with a web browser and change board settings.

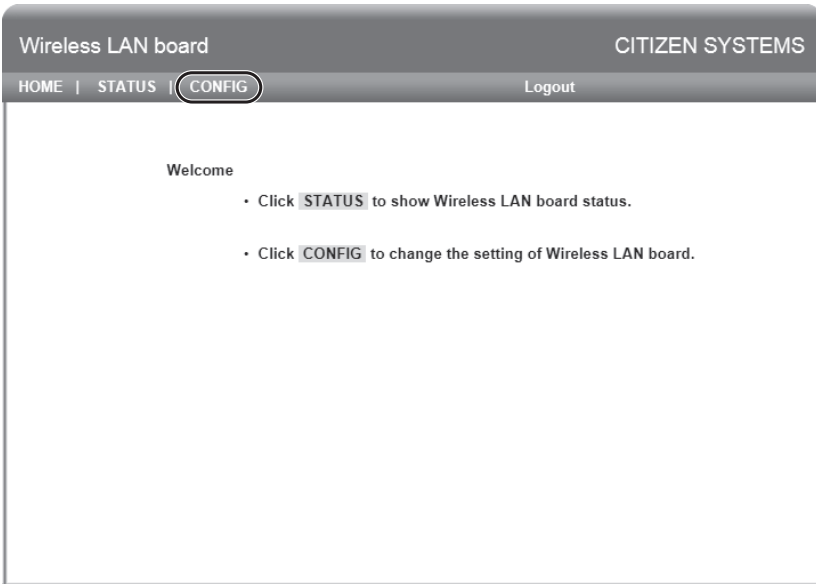
Starting up Web Manager

1. **Start up a web browser.**
2. **In the address field, input the board's IP address and then press [Enter].**



HOME Screen

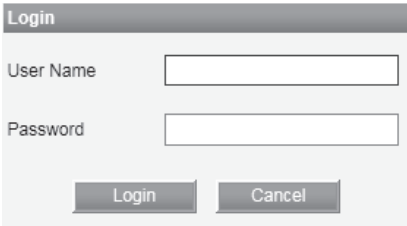
This is the Web manager home screen.
The following screen is an example for a wireless LAN.



Here, press the [CONFIG] button.

CONFIG Screen

This will display the Login dialog box shown below. Log in as an administrator and then configure interface board settings.

A screenshot of a 'Login' dialog box. The dialog has a title bar with the word 'Login' in white text on a dark background. Below the title bar, there are two text input fields. The first is labeled 'User Name' and the second is labeled 'Password'. At the bottom of the dialog, there are two buttons: 'Login' and 'Cancel', both with a light gray background and dark text.

- User Name
Input a board administrator user name. (Initial setting: admin)
- Password
Input the administrator user password. (Initial setting: admin)
- [Login] button
After inputting an administrator user name and password, click the [Login] button.
This displays the setting screen.

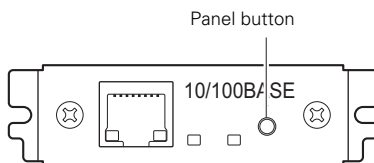
For details about settings, refer to the separate manual.

3.6 The previous model Ethernet (LAN) Interface Board

This section provides an overview of the Ethernet (LAN) interface board. For details about this board, refer to the separate manual.

Panel button operation

Board operations are performed using the panel button on the Ethernet board. You can use the button to print setup information and to return the board to its factory settings.



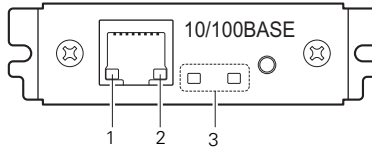
- Printing network setup information
Press the panel button.
- Entering setting mode
Hold down the panel button. A buzzer* will sound once to indicate that setting mode has been entered.
 - You can use setting mode to read factory settings and to print firmware information.
 - If you do not perform any operation for three seconds while in setting mode, a buzzer* will sound once to indicate the board has returned to normal mode.
- Returning to factory settings
Enter the board setting mode, and then hold down the panel button. This returns the board to its factory settings.

CAUTION

- The board will automatically restart after this operation is complete.
- If settings are configured to obtain an IP address from a DHCP server automatically, the new IP address may be different from the previous one.

LED Functions

The tables below explain how to interpret LED indications.



1. Network transmission speed

Transmission speed	LED (green)
100Mbps	Lit
10Mbps/Not connected	Unlit

2. Network status

Status	LED (yellow)
Connected	Lit
Not connected	Unlit
Data transmission in progress	Flashing

3. Board status

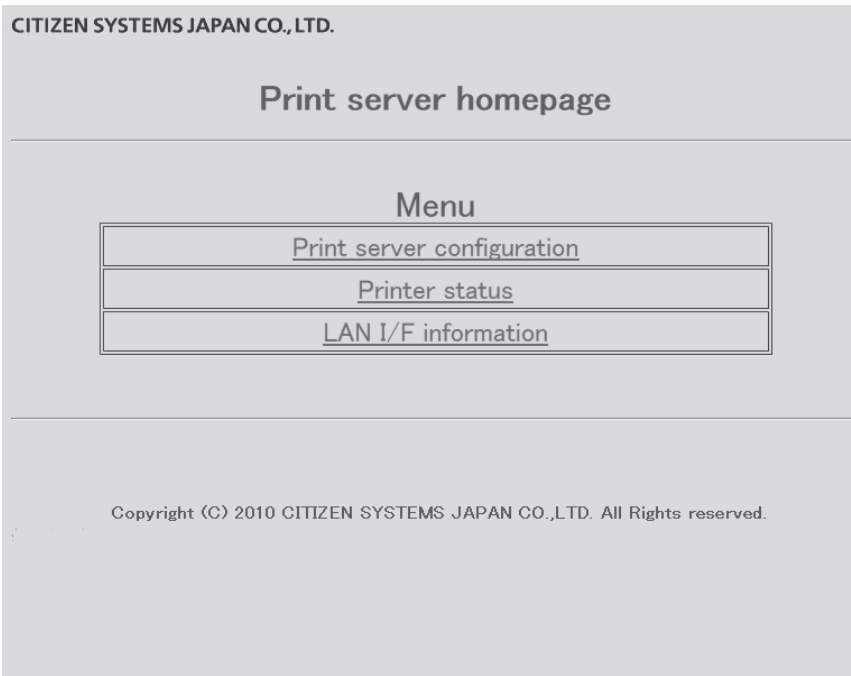
Status	LED (green)	LED (red)	Description
No printer connection	Unlit	—	Board is not connected with a printer.
Connecting with printer	Lit	—	Board is connected with a printer.
No network connection	—	Unlit	Board is not connected with a network.
Getting IP address	—	Flashing (0.5-second cycle)	Getting an IP address from the DHCP server.
Connected with network	—	Lit	Network connection complete.
Resource error	Alternate flashing (0.5-second cycle)		Board is unable to operate normally.
System error	Alternate flashing (0.1-second cycle)		Board is unable to operate normally.

Changing network settings

You can use a web browser to access a special settings page to check and change board settings.

- Accessing the special settings page

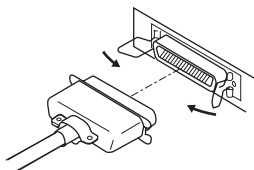
1. **Use a web browser to access the URL of the special settings page. Specify the IP address assigned to the printer as the URL. (Example: For an IP address of 169.254.1.10, input: <http://169.254.1.10>.)**
2. **This displays the special settings page menu page.**



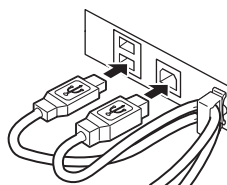
3. **Select "Print server configuration" to display the setting screen. For details about settings, refer to the separate manual.**

3.7 Connecting Other Interface Cables

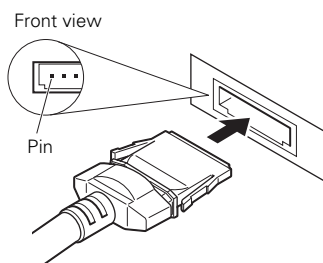
1. Turn off the power.
2. Orient the interface cable correctly and insert it into the interface connector.



Parallel interface



USB interface (hub type)



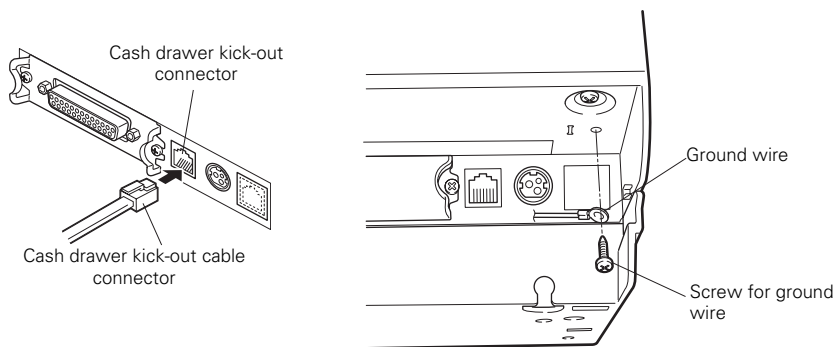
Powered USB interface

CAUTION

- Always unplug the AC adapter from the printer before connecting the printer to a Powered USB interface. Failure to do so may damage the host PC. For information about installing a Powered USB interface, contact your Citizen Systems dealer.
- Check the orientation of the Powered USB cable connector before connecting it. Insert it straight in so that the pins do not bend. Push it in until it clicks.
- When disconnecting the cable, always hold the connector.
- Be careful not to insert the USB interface cable into the cash drawer kick-out connector.
- To connect more than one printer to a single computer via a USB interface you must change the serial number of the USB interface.

3.8 Connecting the Cash Drawer

1. Turn off the power.
2. Confirm the orientation of the cash drawer kick-out cable connector and connect it to the cash drawer kick-out connector at the back of the printer.
3. Remove the screw for the ground wire.
4. Screw the cash drawer's ground wire to the body of the printer.



CAUTION

- Connect only the cash drawer kick-out cable connector to the cash drawer kick-out connector. (Do not connect a telephone line.)
- Signals cannot be output from the cash drawer kick-out connector while printing.

(1) Connector pin configuration

No.	Signal	Function
1	FG	Frame ground
2	DRAWER1	Cash drawer 1 drive signal
3	DRSW	Cash drawer switch input
4	VDR	Cash drawer drive power supply
5	DRAWER2	Cash drawer 2 drive signal
6	GND	Signal ground (common ground on circuits)



Connector used:
 TM5RJ3-66 (Hirose) or equivalent
 Applicable connector:
 TM3P-66P (Hirose) or equivalent

(2) Electric characteristics

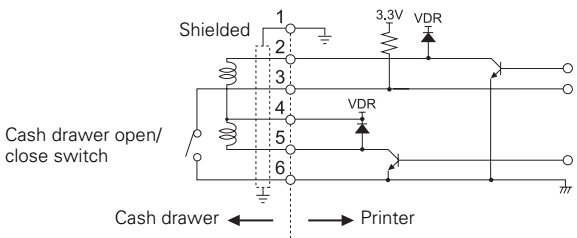
- 1) Drive voltage: 24 VDC
- 2) Drive current: Approx. 1 A max. (not to exceed 510 ms.)
- 3) DRSW signal: Signal levels: "L" = 0 to 0.8 V, "H" = 2 to 3.3 V

(3) DRSW signal

DRSW signal status can be tested with the DLE+EOT, GS+a, or GS+r command or at pin 34 on the parallel interface port.

(4) Drive circuit

Cash drawer kick-out connector

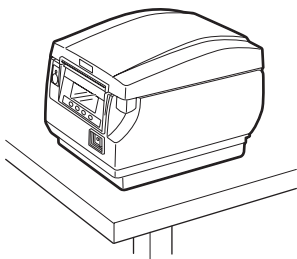


CAUTION

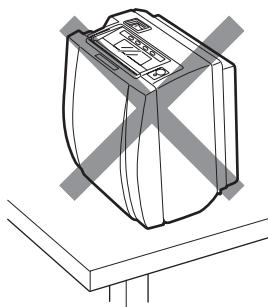
- Cash drawers 1 and 2 cannot be operated at the same time.
- The solenoid used for the cash drawer should be 24 Ω or more. Do not allow the electric current to exceed 1 A. Excessive current could damage or burn out the circuits.

3.9 Precautions for Installing the Printer

This printer can only be positioned horizontally. It cannot be positioned vertically or on a wall.



Horizontal position



Vertical position



CAUTION

Do not use the printer under the following conditions.

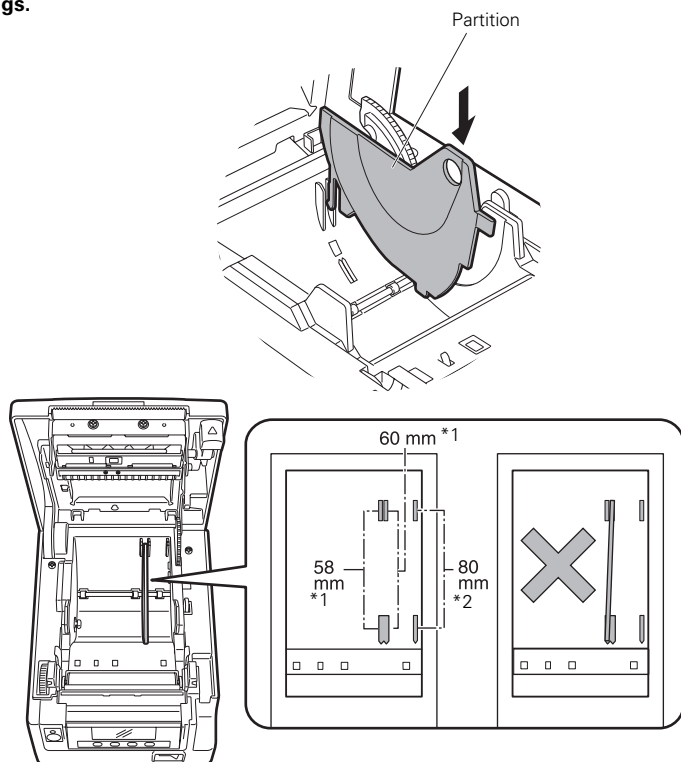
- Locations subject to vibration or instability.
- Locations that are very dirty or dusty.
- Locations where the printer is not level.
- **The printer may fall and cause an injury.**
- **The quality of printing may deteriorate.**
- Oriented other than as specified.
- **The printer may malfunction, be damaged, or cause an electric shock.**

3.10 Partition for Paper Roll

Set the partition to the width of the paper roll you are loading.
The partition is set at the factory to the position shown below.

- For 3-inch type: 80-mm wide paper roll
- For 2-inch type: 58-mm wide paper roll
(2-sheet partition installed.)

1. Turn off the power.
2. Press up on the cover open button to open the paper cover.
3. Press in the position shown by the arrow and set the partition in a slot that matches the width of the paper roll you are using. However, to use an 83-mm wide paper roll, remove the partition.
4. Refer to "5.3 Manual Setting of Memory Switches" to change the paper width settings.



Notes:

*1: 2-inch type (58/60 mm)

*2: 3-inch type (80/83 mm)

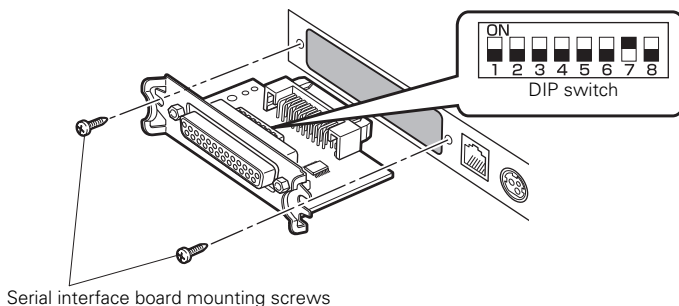


CAUTION

Make sure the partition is not slanted when setting it for 58-mm or 60-mm paper rolls.

3.11 Setting the DIP Switch on the Serial Interface Board

1. Turn off the printer and unplug the power cord from the electric outlet.
2. Remove the mounting screws of the serial interface board.
3. Remove the serial interface board from the printer.
4. Set the DIP switch according to the following table.



CAUTION

When setting the DIP switch, do not remove any screws except the serial interface board mounting screws.

The function of each switch is shown below. (Shaded values are factory settings. However, factory settings differ depending on the destination market.)

Switch no.	Function	ON	OFF
1	Communication condition setting	According to DIP switch settings	According to memory switch settings
2	Hand shake	XON/XOFF	DTR/DSR
3	Bit length	7 bits	8 bits
4	Parity check	Yes	No
5	Parity selection	Even parity	Odd parity
6	Baud rate selection	Refer to table below.	
7			
8	INIT	Reset	Invalid

Baud rate selection

Baud rate (bps)	Switch no.	
	6	7
2400	OFF	OFF
4800	ON	OFF
9600	OFF	ON
19200	ON	ON

When switch no. 1 is set to OFF, you can use a command or a memory switch to select 1200, 38400, 57600, or 115200 bps.

3.12 Adjusting the Paper Near-end Sensor

Change the settings of the paper near-end sensor to set the position at which the near-end of the paper is detected.

1. Use a pointed object, such as a pen, to gently press the button to change the paper near-end sensor.
2. Press and hold down the button while moving the paper near-end sensor up, down, right and left. The sensor positions are shown below for the various diameters of the paper roll used.

(Unit: mm)

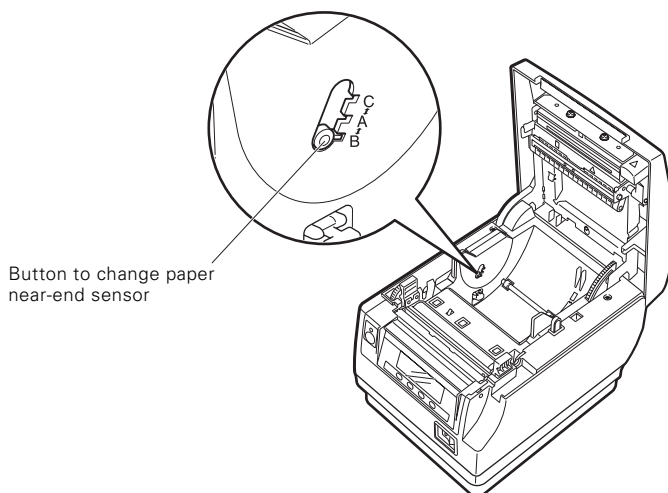
Sensor position	Diameter when detected as near end	Outer diameter of core of paper roll used
A	$\phi 31$	$\phi 18$
B*	$\phi 23$	$\phi 18$
C	Paper near-end sensor function is off	

Note:

*: Position of sensor when shipped from factory. However, factory settings differ depending on the destination market.

CAUTION

- The amount of paper remaining on the roll (diameter of the roll) depends on the type of paper used.
- The paper roll diameters in the table are guidelines.

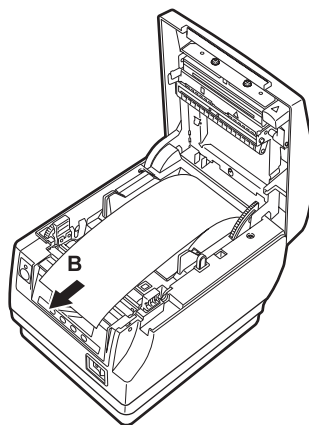
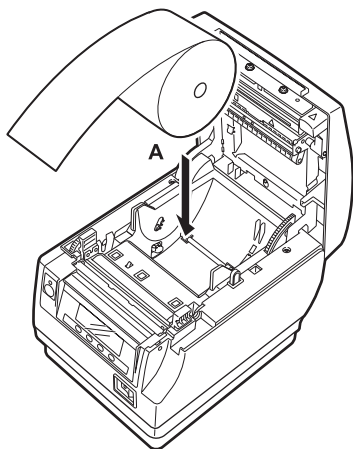
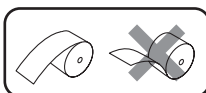


3.13 Loading Paper

1. Turn on the power.
2. Press up on the cover open button to open the paper cover.
3. Load the paper roll so that the printable side of the paper is facing up, as shown by arrow A.
4. Pull a few cm of paper straight out in the direction of arrow B.
5. Close the paper cover until you hear a click. Paper is fed and cut automatically (by the factory setting).



Refer to 5.3 Manual Setting of Memory Switches



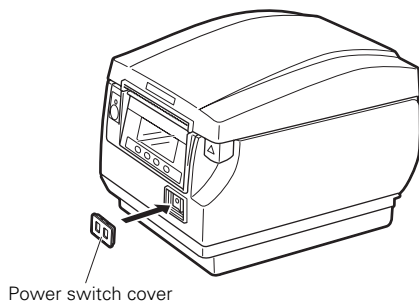
CAUTION

- Always use the specified types of paper rolls.
- Confirm that the paper roll is set correctly.
- If the paper is skewed and not coming straight out of the paper cover, open it and straighten the paper.
- Always pull a few cm of paper straight out of the printer if you open the paper cover while paper is loaded.
- Press on the center of the paper cover to close it securely.
- Be careful of paper cuts while loading the paper.
- Do not touch the print head, manual cutter, or auto cutter while the paper cover is open. Doing so may cause a burn or cut.

3.14 Attaching the Power Switch Cover

Attach this cover to prevent the power switch from being used.

1. **Press the power switch cover onto the power switch compartment until it clicks.**

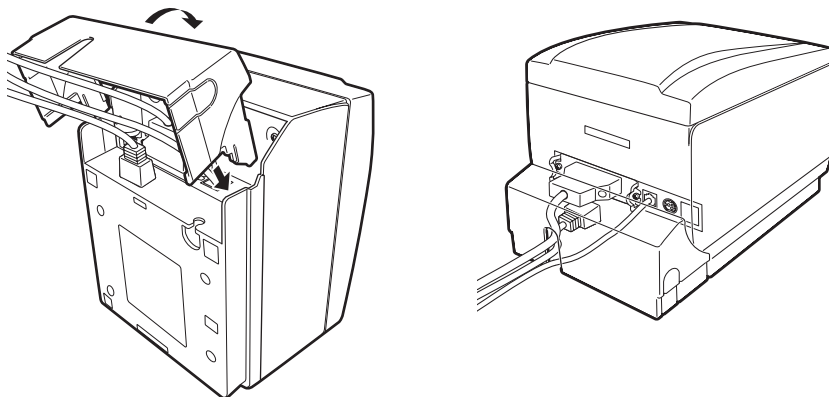


Put a screwdriver or other pointed object into the grooves on the power switch cover to remove it.

3.15 Attaching the Interface Cover

Attach the interface cover to the back of the printer.
The shape of the interface cover is different depending on the type of power source.

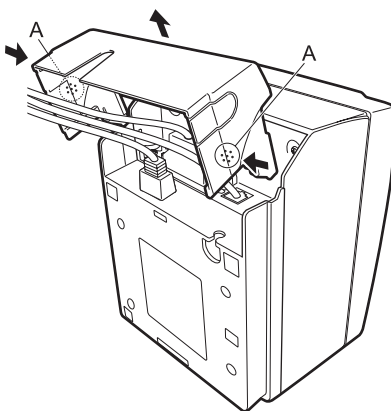
1. Press the interface cover as shown in the diagram until you hear it click.



CT-S851IIS

3.16 Removing the Interface Cover

Press in on both sides at the point indicated by A to remove the interface cover.



CT-S851IIS

3.17 Download Site for Various Electronic Files

You can view support information and download the latest documents, drivers, utilities, etc. from the following site.

<https://www.citizen-systems.co.jp/en/printer/download/#CT-S851II>

3.18 Precautions for Creating Applications and Practical Operations

If printing is done immediately after the paper is partially cut and torn off, the top of the next print out may be distorted.

We recommend advancing the paper one line after cutting before printing.

If you are using a serial interface that has a slow data transmission speed, streaks may appear in the printouts when you are printing graphics or gradated text, which require large amounts of data.

USB interfaces may be susceptible to the effects of electromagnetic interference from the host or environment.

If this is the case, try using a cable with ferrite cores on both ends, which are very effective at eliminating EMI.

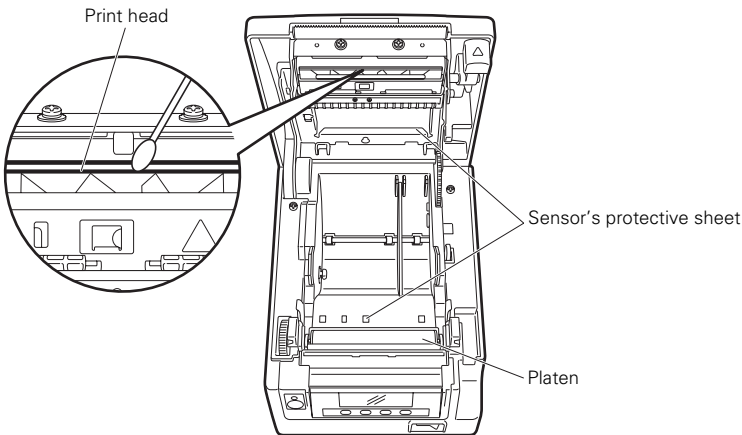
4. MAINTENANCE AND TROUBLESHOOTING

4.1 Periodic Cleaning

A dirty print head or platen may reduce printing quality or cause malfunctions. Also, if paper dust collects on the sensor's protective sheet, paper cannot be detected correctly. We recommend cleaning the printer periodically (every 2 to 3 months) as shown below.

1. **Turn off the power.**
2. **Press up on the cover open button to open the paper cover.**
3. **Wait a few minutes until the print head cools.**
4. **Use a cotton swab dampened with ethyl alcohol to wipe off any dirt and dust that is on the print head and platen.**
5. **Use a cotton swab dampened with a little water to wipe off the sensor's protective sheet.**

Make sure there are no water drops on the cotton swab before wiping.

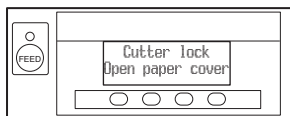


CAUTION

- The print head is hot immediately after printing. Do not touch it.
- Do not touch the print head with bare hands or metal objects.
- Do not use alcohol or cleansers to clean the surface of the sensor's protective sheet. Doing so may fog the sensor's protective sheet.
- Paper scraps may stick to the platen when adhesive labels are full cut depending on the printer's environment, the diameter of the paper roll, and the quality of the label backing.

4.2 Clearing a Cutter Lock (1)

The message “Cutter lock” may appear and the auto cutter blade may remain extended because a foreign object or paper jam is obstructing it.



If “Cutter lock” is displayed, clear the locked cutter as shown below.

1. **Turn on the power.**
2. **Press up on the cover open button to open the paper cover.**
3. **Remove any jammed paper including any scraps of paper. (Remove the paper roll that is loaded in the holder also.)**
4. **Reload the paper roll and close the paper cover.**

CAUTION

- The print head is hot immediately after printing. Do not touch it.
- Do not touch the print head with bare hands or metal objects.

After doing the procedure in “Clearing a Cutter Lock (1)” and then opening the paper cover, if the blade of the auto cutter is extended, do the procedure in “Clearing a Cutter Lock (2)”.



Refer to 4.3 Clearing a Cutter Lock (2)

4.3 Clearing a Cutter Lock (2)

The paper cover is designed to be opened by pressing up on the cover open button if the cutter locks. If this does not open the paper cover, use the following procedure to clear the locked cutter.

1. **Turn off the printer and unplug the power cord from the electric outlet.**
2. **Press up on the cover open button to open the paper cover.**
3. **While pressing on the front cover release button with a pen or something, slide the front cover about 10 mm upward.**
4. **Rotate the front cover forward in the direction of arrow A.**
5. **Lift the protective sheet and turn the cutter gear in the direction of arrow B to return the auto cutter to a position where the paper cover can be opened.**
Turn the cutter gear until the auto cutter blade retracts in the direction of arrow C. If the blade of the auto cutter does not move when you turn the cutter gear in the direction of arrow B, turn it in the other direction.
6. **Remove whatever caused the cutter to lock.**

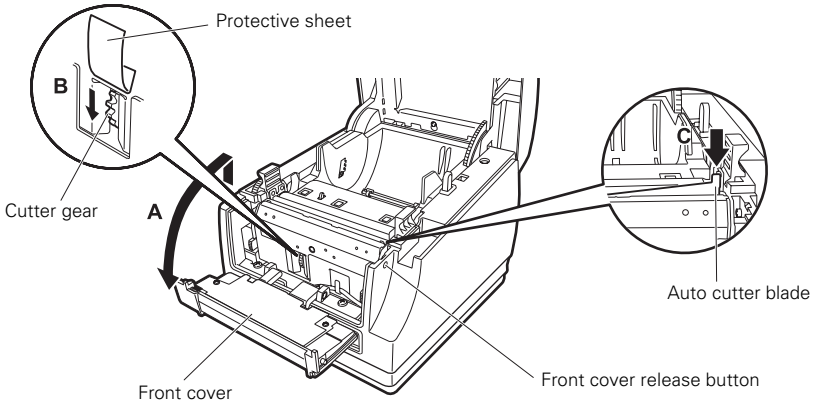
7. Close the front cover.

Rotate the front cover in the opposite direction of arrow A, and push on the top of the front cover until it clicks.

8. Load a paper roll and close the paper cover.

9. Insert the power cord plug into an electric outlet and turn the power on.

Check that the LED lights green.



CAUTION

- Before starting to do maintenance work, be sure to turn off the printer and unplug the power cord from the electric outlet.
- Be careful not to touch the manual cutter while the front cover is open.
- Be careful not to touch the opening for the auto cutter while the paper cover is open.
- The print head is hot immediately after printing. Do not touch it.
- Do not touch the print head with bare hands or metal objects.
- If the above procedure does not retract the auto cutter, contact your Citizen Systems dealer.

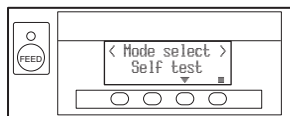
4.4 Function Test Mode

Press and hold button 1 while turning on the printer to access the function test mode.

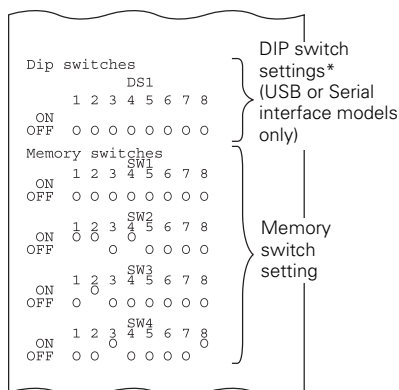
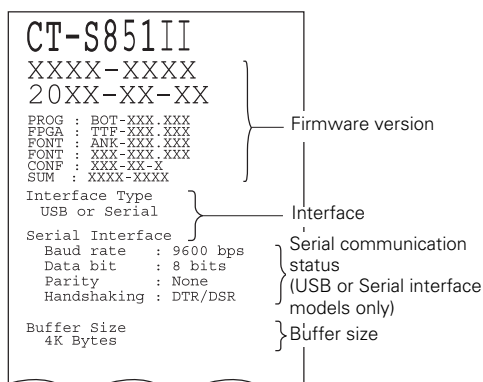
Use button 3 (▼) to select a function, use button 4 (■) to execute the function. Except for the self test and printing memory switch settings, all functions are for service personnel only. Do not operate those functions.

Self test

1. While paper is loaded, press and hold button 1 while turning the power on. The function test mode starts and "Self test" appears on the LCD.
2. Press button 4 (■).



Self test starts. The printer prints its model name, version, DIP switch settings, memory switch settings, and a list of built-in fonts.

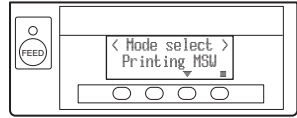


Note:

*: Printers with a USB interface do not have DIP switches, so the DIP switches all appear off on the self test printout.

Printing memory switch settings

1. While paper is loaded, press and hold button 1 while turning the power on. The function test mode starts and "Self test" appears on the LCD.
2. Press button 3 (▼). "Printing MSW" appears on the LCD.
3. Press button 4 (■). A list of the current memory switch settings starts printing.



The function test mode has the following sub modes.

Function	Description
Self test	Runs self test.
Printing MSW	Prints memory switch settings.
Quick Setting *	Sets the memory switches to be compatible with specific models.

Note:

*: The memory switches are automatically set to their optimum settings by selecting the manufacturer and model of the printer being replaced.

Selected item

Manufacturer	Model	Paper width	Character space
CITIZEN	CBM1000	58 mm	—
		80 mm	—
	CT-S300	58 mm	—
		80 mm	—
	CT-S2000	58 mm	—
		60 mm	—
		80 mm	—
EPSON	T88	58 mm	0dot
			1dot
		80 mm	0dot
			1dot
	203dpi	58 mm	—
		80 mm	—

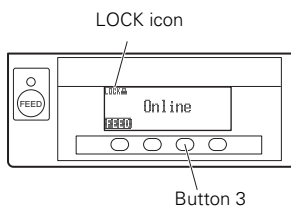


Automatic memory switch settings

MSW2-4 Full Col Print	MSW3-7 CBM1000 Mode	MSW8-1 Print Width	MSW6-2 Character Space
Auto linefeed	Valid	432dots	—
Auto linefeed	Valid	576dots	—
WaitData	Invalid	384dots	—
WaitData	Invalid	576dots	—
Auto linefeed	Valid	432dots	—
Auto linefeed	Valid	436dots	—
Auto linefeed	Valid	576dots	—
Auto linefeed	Valid	640dots	—
WaitData	Invalid	360dots	0dot
WaitData	Invalid	390dots	1dot
WaitData	Invalid	512dots	0dot
WaitData	Invalid	546dots	1dot
WaitData	Invalid	420dots	—
WaitData	Invalid	436dots	—
WaitData	Invalid	576dots	—

4.5 Key Lock Function

Press and hold the MENU button while the printer is running to be able to change the memory switch settings.
Activate the key lock to prevent making changes by mistake.



Setting the key lock

To set the key lock, press and hold button 3 (for at least three seconds).
MENU disappears, and the LOCK icon appears.
In this condition, it is not possible to enter the memory switch setting mode even if you press and hold the MENU button.

Releasing the key lock

To release the key lock, press and hold button 3 (for at least three seconds).
The LOCK icon disappears, and MENU appears.

4.6 Hexadecimal Dump Printing

Print received data in hexadecimal. If problems such as missing or duplicated data occur, this function allows you to check whether or not the printer is receiving data correctly.

How to do hexadecimal dump printing

1. Load paper.
2. While the paper cover is open, press and hold button 1 while turning the power on, and then close the paper cover. Enter HEX dump print mode.
3. The printer prints "HEX dump print mode" followed by the received data printed in hexadecimal numbers and some characters.

How to stop hexadecimal dump printing

Do one of the following to stop printing.

- Press button 1 three times in a row
- Turn off the power
- Receive a reset command from an interface



CAUTION

- The printer prints "." if there is no character corresponding to the data.
- None of the commands function during hexadecimal dump printing.
- If print data does not cover a complete line, press button 1 to advance the paper.

Print example

HEX dump print mode

```
61 62 63 64 65 66 67 0A 0D 0D 0D 0D abcdefg.....  
0D 0D 0D                                     . . . . .
```

4.7 Error Messages

- Paper end

The end of the roll of paper is detected at two stages, paper near-end and paper-end.

When paper near-end is detected, "PAPER LOW" appears on the LCD and the LED lights orange. Prepare a new paper roll.

When paper-end is detected, "Paper end" appears on the LCD and the LED lights red. Load a new paper roll.

- Paper cover open

Do not open the paper cover during printing. If the paper cover is opened, the LED and LCD light red. Check the paper and always pull a few cm of paper straight out of the printer before closing the paper cover. Printing resumes. Sending a command to resume printing may be required depending on the memory switch setting.

- Cutter lock

If the auto cutter cannot move because of a paper jam or something else, the LED and LCD light red. Remove the cause of the trouble and press button 1 (FEED). If the auto cutter still does not operate and the paper cover does not open, refer to "4.3 Clearing a Cutter Lock (2)".



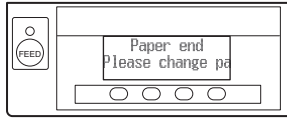
Refer to 4.3 Clearing a Cutter Lock (2)

- Head overheat

When you print dense characters, dark images, or for an extended time in a hot environment, the print head temperature increases. If the print head exceeds a specified temperature, the printer stops printing and waits for the print head to cool. When this happens, the LED and LCD light orange. Printing resumes automatically when the print head cools.

The situation during various errors is shown below.

The LCD's top line is the type of error, the bottom line is the remedy. Scroll through messages that are longer than 16 characters.



Status	Message	LED	Backlight	Buzzer*2
Paper near-end	PAPER LOW	Orange	—	No
Paper-end	Paper end Please replace paper roll.	Red	Red	Yes
Front cover open	Front cover open Please close front cover.	Red	—	No
Paper cover open	Paper cover open Please close paper cover.	Red	—	No
Cutter locked	Cutter lock Open paper cover & remove jam.	Red	Red	Yes
Black mark error	Black mark error Please check paper	Red	Red	Yes
Print head hot	Head overheat Please wait, will continue	Orange	—	No
Memory error	Memory Error	Red	—	Yes
System error	System error Please contact your dealer	Red	Red	No
Print head error	Head Error Please contact your dealer	Red	Red	Yes
Motor error	Motor Error Please contact your dealer	Red	Red	Yes
Low-voltage error	L Voltage Error Please contact your dealer	Red	Red	Yes
High-voltage error	H Voltage Error Please contact your dealer	Red	Red	Yes
Cash drawer voltage error	Drawer Error Please contact your dealer	Red	Red	Yes
Waiting for macro to execute *1	Press a key -> Executing macro	Flashing green	—	No

Notes:

*1: LED may light while macro is executing.

*2: Buzzer sounds when MSW5-1 (buzzer setting) is set to ON. Note, however, that some combinations of settings of MSW5-1 and MSW10-5 may change the condition in which buzzer sounds.

4.8 Paper Jams

Take care to avoid obstruction of the paper outlet and paper jamming around the outlet during printing.

If paper cannot get out of the printer, it can roll up on the platen inside the printer and cause an error.

If the paper wraps around the platen, open the paper cover and carefully pull the paper out.

4.9 Serial Interface Operation Precautions

While using the serial interface, certain printing conditions can cause white stripes in printouts and feed failure. To avoid these problems, change memory switch settings as described below.

1. **Change MSW7-1 (serial baud rate) to a faster baud rate setting.**
2. **Change MSW10-2 (print speed) to a lower level.**



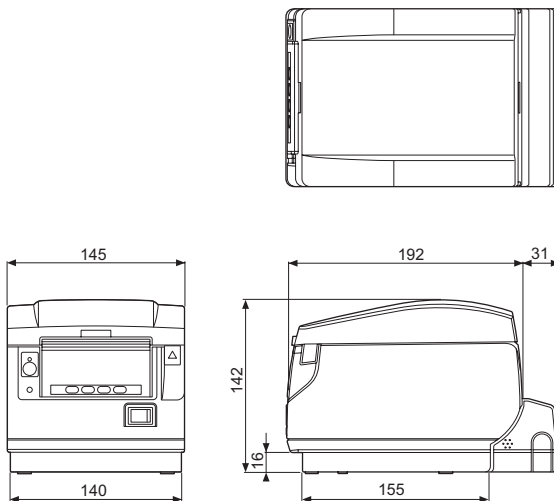
CAUTION

Depending on the serial interface transmission speed, ambient temperature, print data duty, and other factors, changing the above settings may not eliminate the problems.

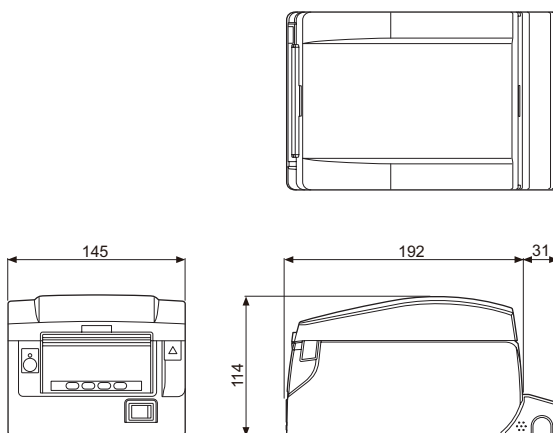
5. OTHER

5.1 External Views and Dimensions

(Unit: mm)



Built-in power supply type



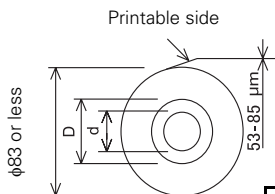
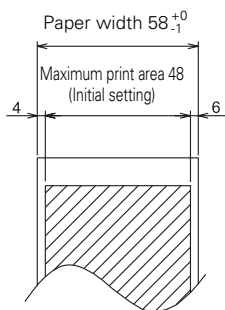
AC adapter type

5.2 Printing Paper

Use the paper shown in the following table or paper of the same quality.

Paper type	Product name
Recommended thermal roll paper	TF50KS-E2D, TF50KS-E or TF60KS-E from Nippon Paper PD150R or PD160R from Ohji Paper P220AG, HP220A, HP220AB-1, F230AA, P220AB, or PB670(2-color paper) from Mitsubishi Paper

(Unit: mm)



Paper thickness (μm)	53-75	75-85
Core inner diameter d (mm)	$\phi 12$	$\phi 25.4$
Core outer diameter D (mm)	$\phi 18$	$\phi 32$



CAUTION

Use paper that is wound as follows:

- Not creased and fits tight to the core.
- Not folded.
- Not glued to the core.
- Rolled with the printable side out.

5.3 Manual Setting of Memory Switches

Memory switches are used to set various printer settings. The memory switches can be set manually (set by hand on the printer) or by commands. This section explains how to perform manual settings.

Memory switch settings are done in memory switch setting mode or virtual DIP switch setting mode. In the memory switch setting mode, you can set the values for MSW1 to MSW13. In the virtual DIP switch setting mode, you can set the values for MSW1 to MSW6.

For information on how to set the memory switches using commands, please refer to the Command Reference.

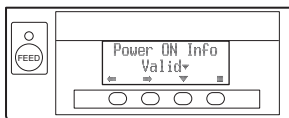
Outline of procedure

1. **Enter memory switch setting mode or virtual DIP switch setting mode.**
2. **Change settings that need to be changed.**
3. **Go to the save settings menu.**
4. **Save settings.**

Memory switch setting mode

While "Online" is displayed, press and hold button 4 (MENU) for at least two seconds. Or, while paper is loaded, press and hold button 3 and then turn on the power.

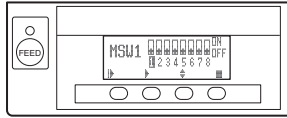
Enter memory switch setting mode.



- Press button 1 (◀) or button 2 (▶) to select items to set.
 - Press button 3 (▼) to select a value for the selected item.
 - Press button 4 (■) to go to the save settings menu.
- **To set all the memory switches to the factory settings:**
Press button 1 until "Factory Setting /Set" appears (after MSW13-6).
Press and hold button 4 for at least two seconds. All memory switches change to the factory settings.

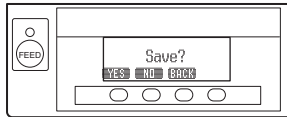
Virtual DIP switch setting mode

While paper is loaded, press and hold button 2 while turning the power on. Enter virtual DIP switch setting mode.



- Press button 1 (▶) to select a memory switch number. (Switches cycle in the following order: MSW1 → MSW2 → ... → MSW6 → MSW1)
- Press button 2 (◀) to move from switch 1 towards switch 8. (The selection loops from 8 back to 1.)
- Press button 3 (◆) to change between ON and OFF.
- Press button 4 (■) to go to the save settings menu.

Save settings menu



- Press button 1 (YES) to save the settings and return to the “Online” display.
- Press button 2 (NO) to not save the settings and return to the “Online” display.
- Press button 3 (BACK) to return to the previous mode.

The function of each memory switch is shown in the following table. (Shaded values are factory settings.)

Switch no.	Function	OFF	ON
MSW1-1	Power ON Info	Valid	Not Send
MSW1-2	Buffer Size	4K bytes	45 bytes
MSW1-3	Busy Condition	Full/Err	Full
MSW1-4	Receive Error	Print“?”	No Print
MSW1-5	CR Mode	Ignored	LF
MSW1-6	Reserved	Fixed	—
MSW1-7	DSR Signal	Invalid	Valid
MSW1-8	Init Signal	Invalid	Valid
MSW2-1	Reserved	—	Fixed
MSW2-2	Auto Cutter	Invalid	Valid
*1 MSW2-3	Spool Print	Invalid	Valid
MSW2-4	Full Col Print	LineFeed	WaitData
MSW2-5	Resume aft PE	Next	Top
MSW2-6	Reserved	Fixed	—
MSW2-7	Reserved	Fixed	—
MSW2-8	PNE Sensor	Valid	Invalid
MSW3-1	Resume Ctrr Err	Valid	Invalid
MSW3-2	PE signal by PNE	Valid	Invalid
MSW3-3	Parallel 31 Pin	Valid	Invalid
MSW3-4	Reserved	Fixed	—
MSW3-5	Reserved	Fixed	—
MSW3-6	Reserved	Fixed	—
MSW3-7	CBM1000 Mode	Invalid	Valid
MSW3-8	Resume Open Err	Close	Command
MSW4-1	Reserved	Fixed	—
*2 MSW4-1	P.Length Set	Auto Measure	Command
MSW4-2	Reserved	Fixed	—
*2 MSW4-2	Power on TOF	Invalid	Valid
MSW4-3	Feed&Cut at TOF	Invalid	Valid
*2 MSW4-3	Feed&Cut at TOF	Invalid	Valid
MSW4-4	Reserved	Fixed	—
*2 MSW4-4	Paper Select	Thermal Roll	BM P/Lbl P
MSW4-5	Reserved	Fixed	—
*2 MSW4-5	Position Detect	Black Mark	Label
MSW4-6	Reserved	Fixed	—
*2 MSW4-6	Measure at Close	Invalid	Valid
MSW4-7	Reserved	Fixed	—
MSW4-8	Partial Only	Invalid	Valid
MSW5-1	Buzzer	Valid	Invalid
MSW5-2	Line Pitch	1/360	1/406
MSW5-3	USB Mode	Virtual COM	Printer Class

Switch no.	Function	OFF	ON
MSW5-4	Reserved	Fixed	—
MSW5-5	Gradation Quality	Quality	Speed
MSW5-6	Reserved	Fixed	—
MSW5-7	Reserved	Fixed	—
MSW5-8	Reserved	Fixed	—
MSW6-1	Act. For Driver	Invalid	Valid
MSW6-2	Character Space	Invalid	Valid
MSW6-3	USB Power Save	Invalid	Valid
MSW6-4	Reserved	Fixed	—
MSW6-5	Reserved	Fixed	—
MSW6-6	Reserved	Fixed	—
MSW6-7	Reserved	Fixed	—
MSW6-8	Reserved	Fixed	—

Switch no.	Function	Initial setting	Setting value
*3 MSW7-1	Baud Rate	9600 bps	1200 bps, 2400 bps, 4800 bps, 9600 bps, 19200 bps, 38400 bps, 57600 bps, 115200 bps
*3 MSW7-2	Data Length	8bits	7bits, 8bits
MSW7-3	Stop Bit	1bit	1bit, 2bits
*3 MSW7-4	Parity	NONE	NONE, EVEN, ODD
*3 MSW7-5	Flow Control	DTR/DSR	DTR/DSR, XON/XOFF
MSW7-6	DMA Control	Valid	Valid, Invalid
MSW7-7	VCom Protocol	PC Setting	PC Setting, DTR/DSR, XON/XOFF
MSW8-1	Print Width	576dots	640 dots, 576 dots, 546 dots, 512 dots, 436 dots, 432 dots, 420 dots, 390 dots, 384 dots, 360 dots
MSW8-2	Paper Type	1 Color Normal	1 Color Normal, 2 Color Normal
MSW8-3	Top Margin	11mm	3mm, 4mm, 5mm, 6mm, 7mm, 8mm, 9mm, 10mm, 11mm
MSW8-4	Line Gap Reduce	Invalid	Invalid, 3/4, 2/3, 1/2, 1/3, 1/4, 1/5, ALL
MSW8-5	Reduced Char V/H	100% / 100%	100% / 100%, 75% / 100%, 50% / 100%, 100% / 75%, 75% / 75%, 50% / 75%
MSW8-6	Auto Side Shift	Invalid	Invalid, 1 dots, 2 dots, 3 dots, 4 dots, 5 dots, 6 dots, 7 dots
MSW8-7	Liner Free Mode	Invalid	Invalid, 1h, 6h, 12h, 18h, 24h, 5m, 10m, 15m, 20m, 30m
MSW9-1	Code Page	PC 437	PC 437, Katakana, PC 850, PC 858, PC 860, PC 863, PC 865, PC 852, PC 866, PC 857, WPC1252, Space page, PC 864, ThaiCode11 1Pass, ThaiCode11 3Pass, ThaiCode18 1Pass, ThaiCode18 3Pass, TCVN-3
MSW9-2	Int'Char Set	USA	USA, France, Germany, England, Denmark, Sweden, Italy, Spain, Japan, Norway, Denmark 2, Spain 2, Latin America, Korea, Croatia, China, Vietnam
MSW9-4	Multi-byte Char	Invalid	JIS(JPN), SJIS:CP932 (JPN), SJIS:X0213(JPN), GB18030(CHN), KS Hanguk(KOR), EUC Hanguk(KOR), BIG5(TWN), Invalid

Switch no.	Function	Initial setting	Setting value
MSW9-6	LCD Language	English	English, Français, Deutsch, Italiano, Español, Japanese, Chinese
MSW9-7	LCD Ext. Char	Valid	Invalid, Valid
MSW9-8	LCD Auto Off	Never	Never, 30seconds, 5minutes
MSW10-1	Print Density	100 %	70 %, 75 %, 80 %, 85 %, 90 %, 95 %, 100 %, 105 %, 110 %, 115 %, 120 %, 125 %, 130 %, 135 %, 140 %
MSW10-2	Print Speed	Level 9	Level 1, Level 2, Level 3, Level 4, Level 5, Level 6, Level 7, Level 8, Level 9
MSW10-3	ACK Timing	Before Busy	Before Busy, Same Period, After Busy
MSW10-4	Old Command	Invalid	Invalid, CBM1, CBM2
MSW10-5	Buzzer Event	Not by C.Open	All Event/Error, Not by C.Open, Not by C.Open/PE
MSW10-6	Buzzer Sound	Tone 2	Tone 1, Tone 2, Tone 3, Tone 4
MSW10-7	Key Lock	Invalid	Invalid, Valid
MSW10-8	LCD Direction	Normal	Normal, Inverted
MSW13-1	Security/Target	Low/All	Low/All, Mid/All, Mid/Paired only, Hi/All, Hi/Paired only
MSW13-5	BT Device Scan	Discoverable	No Response, Discoverable
MSW13-6	Auto Reconnect	Valid	Invalid, Valid

Notes:

*1: If print data is very dense, the print head is hot, data transmission is slow, or some other conditions, the motor and printing may occasionally stop which causes white stripes in the printout. To print high-density data, set MSW2-3 (Spool Print) to ON to reduce striping, although this increases the time before printing starts.

For a serial interface, increase the transmission speed to prevent the motor from stopping.

*2: Black mark model

*3: The values for memory switches MSW7-X are only effective when DIP switch no. 1 is set to OFF.

FRANÇAIS

PRÉCAUTIONS GÉNÉRALES

- Veuillez à lire le présent manuel avant d'utiliser le produit. Après l'avoir lu, le conserver dans un emplacement sûr, aisément accessible pour une future référence.
- Les informations contenues dans ce manuel sont sujettes à des changements sans préavis.
- La reproduction ou le transfert d'une partie ou de tout ce document par n'importe quel moyen est interdite sans l'autorisation de Citizen Systems.
- Notez que Citizen Systems ne peut être tenu responsable des conséquences du fonctionnement, quelles que soient les omissions, erreurs ou fautes d'impression présentes dans ce manuel.
- Citizen Systems n'est pas responsable d'aucun problème causé par l'utilisation des options ou produits consommables qui ne sont pas indiqués dans ce manuel.
- Sauf en cas de spécification contraire dans ce manuel, ne pas essayer d'entretenir, démonter ou réparer cet appareil.
- Noter que Citizen Systems n'est pas responsable d'aucun dommage attribuable à une opération/manipulation incorrecte ou à un environnement inexact d'opération qui ne sont pas indiqués dedans ce manuel.
- Les données sont prévues fondamentalement pour un usage provisoire, et ne sont pas stockées pendant une longue période ou de manière permanente.
Notez que Citizen Systems ne peut être tenu responsable des dommages ou pertes de profits résultant de pertes de données occasionnées par des accidents, des réparations, des tests ou autres.
- Si vous trouvez des omissions ou des erreurs ou si vous avez des questions, veuillez contacter votre revendeur Citizen Systems.
- S'il manque des pages ou si des pages sont inversées, contactez votre revendeur Citizen Systems afin qu'il procède à leur remplacement.

L'utilisation de la mention « Made for Apple » signifie qu'un accessoire a été conçu pour se connecter spécifiquement à ou aux produits Apple identifiés, et que son développeur certifie la conformité avec les standards de performances d'Apple. Apple décline toute responsabilité relative au fonctionnement de cet appareil ou à sa conformité aux normes de sécurité et à la réglementation en vigueur. Veuillez noter que l'utilisation de cet accessoire avec un produit Apple peut affecter les performances sans fil.

- Apple, Apple TV, Apple Watch, iPad, iPad Air, iPad Pro, iPhone, and Lightning are trademarks of Apple Inc., registered in the U.S. and other countries. tvOS is a trademark of Apple Inc. The trademark "iPhone" is used in Japan with a license from Aiphone K.K.
- EPSON and ESC/POS are registered trademarks of Seiko Epson Corporation.
- QR Code is a registered trademark of DENSO WAVE INCORPORATED.
- Ethernet is a registered trademark of Fuji Xerox Corporation.
- Bluetooth® is a registered trademark of Bluetooth-SIG Inc.
- CITIZEN is a registered trademark of Citizen Watch Co., Ltd. Japan
- All other trademarks are the property of their respective owners.
- Citizen Systems use these trademarks in accordance with the license of relevant owners.

Copyright ©2019 by CITIZEN SYSTEMS JAPAN CO., LTD.

PRÉCAUTIONS DE SÉCURITÉ ..QUI DEVRAIENT ÊTRE OBSERVÉES RIGOREUSEMENT

Veillez lire attentivement ces PRÉCAUTIONS DE SÉCURITÉ avant d'utiliser l'appareil pour la première fois.

La manipulation incorrecte peut avoir comme conséquence des accidents (incendie, décharge électrique ou blessures). Afin d'éviter des blessures aux opérateurs, tiers, ou des dommages à la propriété, des symboles d'avertissement spéciaux sont utilisés dans le Mode d'Emploi pour indiquer les items importants à observer rigoureusement.

- Après avoir lu ce mode d'emploi, conservez-le dans un endroit sûr et facilement accessible pour référence ultérieure.
- Certaines des descriptions contenues dans ce mode d'emploi peuvent ne pas s'appliquer à certains modèles d'imprimantes.

Ce qui suit indique le degré de danger et de dommage encouru si l'imprimante n'est pas utilisée correctement, sans tenir compte des instructions indiquées par les symboles d'avertissement.



AVERTISSEMENT

Le non-respect des précautions indiquées par ce symbole peut provoquer des blessures mortelles ou graves.



ATTENTION

Le non-respect des consignes indiquées par ce symbole peut provoquer des blessures ou des dommages matériels.



Ce symbole sert à attirer votre attention sur des points importants.



Ce symbole sert à vous avertir d'un risque d'électrocution ou de dommage électrostatique.



Ce symbole indique la nécessité de débrancher l'imprimante de la prise murale.



Ce symbole indique que l'alimentation électrique doit être mise à la terre.



Ce symbole est utilisé pour indiquer l'information utile, telle que procédures, instructions ou autres données dans ce genre.



Ce symbole sert à indiquer des actions interdites.

PRÉCAUTIONS À L'INSTALLATION DE L'IMPRIMANTE



AVERTISSEMENT

- N'utilisez pas et ne rangez pas cet appareil dans un endroit où il sera exposé à :
 - * des flammes ou de l'air humide.
 - * la lumière directe du soleil.
 - * de l'air chaud ou aux radiations d'un appareil de chauffage.
 - * de l'air salin ou des gaz corrosifs.
 - * une atmosphère mal ventilée.
 - * des réactions chimiques en laboratoire.
 - * de l'huile, des particules d'acier ou de la poussière contenue dans l'air.
 - * de l'électricité statique ou des champs magnétiques puissants.
- **Le non-respect de ces avertissements risque de provoquer des pannes de l'imprimante, une surchauffe, des émissions de fumée, un incendie ou une électrocution.**



- Ne laissez pas pénétrer des objets étrangers et ne renversez pas de liquide dans l'imprimante. Ne placez pas non plus d'objet sur l'imprimante.
- Ne faites pas tomber d'objets métalliques, tels que des trombones, des punaises ou des vis, dans l'imprimante.
- Ne placez pas de vase, de pot de fleurs ou d'objets contenant de l'eau sur l'imprimante.
- Ne renversez pas de café, de boissons gazeuses ou tout autre liquide dans l'imprimante.
- Ne vaporisez pas d'insecticide ou tout autre produit chimique liquide sur l'imprimante.
- **Faire tomber objet métallique accidentellement dans l'imprimante risque de provoquer une panne, un incendie ou une électrocution. Dans ce cas, mettez immédiatement l'imprimante hors tension, débranchez-la de la prise d'alimentation et faites appel à votre revendeur local Citizen Systems.**



Ne manipulez pas l'imprimante de la manière suivante:

- Ne soumettez pas l'imprimante à de forts impacts ou à des secousses violentes (ne marchez pas sur l'imprimante, ne la faites pas tomber, ne la heurtez pas, etc.).
- Ne tentez pas de démonter ou de modifier l'imprimante.
- **Le non-respect des procédures correctes risque de provoquer une panne de l'imprimante, une surchauffe, une émission de fumée, un incendie ou une électrocution.**



- Installez, utilisez et rangez l'imprimante hors de la portée des enfants.
- **Les appareils électriques risquent de provoquer des blessures ou des accidents inattendus s'ils sont manipulés ou utilisés de manière incorrecte.**
- **Laissez le cordon d'alimentation et les câbles de signaux hors de la portée des enfants. Les enfants doivent également être interdits d'accès aux pièces internes de l'imprimante.**
- **Le sac en plastique dans lequel l'imprimante est emballée doit être mis au rebut correctement et conservé hors de la portée des enfants. Une suffocation peut se produire si le sac est mis sur la tête.**



ATTENTION

N'utilisez pas l'imprimante dans les conditions suivantes.

- Évitez les emplacements soumis à des vibrations ou une certaine instabilité.
- Évitez les emplacements où l'imprimante n'est pas de niveau.
- **L'imprimante pourrait tomber et entraîner des blessures.**
- **La qualité de l'impression peut se détériorer.**
- N'obstruez pas les orifices d'aération de l'imprimante.
- Ne placez rien sur l'imprimante.
- Ne couvrez pas et n'enroulez pas l'imprimante dans de la toile ou des couvertures.
- **De la chaleur pourrait s'accumuler et déformer le boîtier ou déclencher un incendie.**
- Évitez d'utiliser l'imprimante à proximité d'une radio ou d'un téléviseur ou de l'alimenter à partir de la même prise électrique que ces appareils.
- Éviter d'utiliser l'imprimante connectée ensemble avec un câble ou une corde qui ne présente aucune protection contre les parasites. (Pour les interconnexions, utilisez des câbles armés ou torsadés et des noyaux en ferrite, ou d'autres dispositifs anti-parasites).
- Eviter d'utiliser l'imprimante avec un appareil produisant une source de bruit puissante.
- **L'imprimante peut avoir un effet négatif sur les transmissions radio ou télévisées. Dans certains cas également, les appareils électriques proches peuvent influencer l'imprimante et causer des erreurs de données ou des pannes.**
- Installée dans un sens autre que ceux indiqués.
- **Un défaut de fonctionnement, une panne, ou une décharge électrique peuvent se produire.**



- Reliez l'imprimante à la terre.
- **Les fuites électriques peuvent entraîner des décharges électriques.**
- Ne connectez pas la terre de l'imprimante aux éléments suivants :
 - * Tuyaux de gaz
 - **Une explosion de gaz peut se produire.**
 - * Terre d'une ligne téléphonique
 - * Paratonnerre
 - **En cas de foudre, une surtension de courant importante peut provoquer un incendie ou des chocs électriques.**
 - * Conduites d'eau
 - **Les tuyaux d'eau en plastique ne doivent pas être utilisés pour la mise à la terre. (Ceux approuvés par le Département des Eaux peuvent être utilisés.)**
- Avant de connecter ou de déconnecter le fil de terre qui mène à ou qui provient de l'imprimante, débranchez toujours l'imprimante de la prise électrique.



PRÉCAUTIONS À LA MANIPULATION DE L'IMPRIMANTE



AVERTISSEMENT

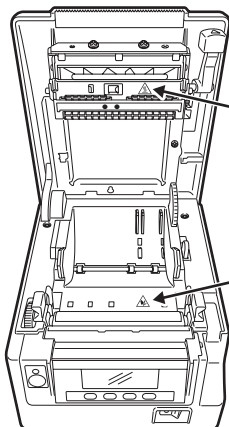
Observez les précautions suivantes pour l'alimentation électrique et le cordon d'alimentation:

- Ne branchez pas et ne débranchez pas le cordon d'alimentation avec les mains mouillées.
- Utilisez l'imprimante uniquement avec la tension d'alimentation et la fréquence spécifiées.
- Utilisez uniquement l'adaptateur secteur spécifié avec l'imprimante.
- Vérifiez si la prise sur laquelle l'imprimante est alimentée a une capacité suffisante.
- N'alimentez pas l'imprimante à partir d'un circuit d'alimentation ou d'une prise de courant servant déjà à d'autres appareils.
- Ne branchez pas le cordon d'alimentation dans une prise électrique comportant de la poussière ou des débris.
- N'utilisez pas un cordon déformé ou endommagé.
- Ne déplacez pas l'imprimante lorsqu'elle est sous tension.
- **Toute manipulation incorrecte peut entraîner une panne de l'imprimante, des émissions de fumée, un incendie ou une décharge électrique.**
- **Une surcharge peut entraîner une surchauffe et une inflammation du cordon d'alimentation ou le déclenchement du disjoncteur.**
- Ne posez pas d'objet sur le cordon d'alimentation. Ne placez pas l'imprimante à un emplacement où le cordon d'alimentation risque d'être piétiné.
- N'utilisez pas et ne transportez pas l'imprimante avec le cordon d'alimentation plié, tordu ou tiré.
- Ne tentez pas de modifier inutilement le cordon d'alimentation.
- Ne placez pas le cordon d'alimentation à proximité d'un appareil de chauffage.
- **Le non-respect de ces avertissements peut provoquer la rupture des fils ou de l'isolation, ce qui peut entraîner une fuite électrique, une décharge électrique ou une panne de l'imprimante. Si le cordon d'alimentation subit des dommages, veuillez contacter votre revendeur Citizen Systems.**
- Ne laissez rien autour de la prise électrique.
- Alimentez l'imprimante à partir d'une prise électrique pratique et facile d'accès en cas d'urgence.
- **Retirez la fiche de manière à arrêter immédiatement l'imprimante en cas d'urgence.**
- Introduisez à fond la fiche d'alimentation dans la prise.
- Si vous ne comptez pas utiliser l'imprimante pendant une période de temps prolongée, déconnectez-la de la prise électrique.
- Tenez la prise et le connecteur quand vous effectuez le branchement ou le débranchement du cordon du secteur ou du câble de signal après avoir désactivé l'imprimante et l'appareil qui est connecté à elle.



ATTENTION

L'étiquette d'avertissement est apposée à l'emplacement indiqué sur la figure suivante. Lisez soigneusement les consignes de manipulation avant d'utiliser l'imprimante.



CETTE ÉTIQUETTE SIGNALLE LE RISQUE DE BRÛLURES LIÉES À LA TEMPÉRATURE ÉLEVÉE DE LA TÊTE D'IMPRESSION ET LE RISQUE DE COUPURES OCCASIONNÉES PAR LES MÉCANISMES DE DÉCOUPE MANUELS ET AUTOMATIQUES LORSQUE LE CAPOT DU PAPIER EST OUVERT.



- Ne pas transporter cette imprimante avec un rouleau de papier à l'intérieur.
- **Une panne de l'imprimante ou des dommages peuvent survenir.**

Pour éviter les problèmes de fonctionnement ou les pannes éventuelles, observez ce qui suit:

- N'ouvrez pas le capot papier pendant l'impression.
- Évitez de faire fonctionner l'imprimante sans rouleau de papier correctement chargé.
- Évitez l'usage de papier non conforme aux spécifications.
- **Ceci risque de fournir une qualité d'impression médiocre.**
- Évitez d'utiliser des morceaux de papier déchirés ou du papier collé avec du ruban adhésif plastique.
- Évitez de tirer à la main en forçant du papier déjà chargé.
- Évitez d'utiliser un dispositif pointu pour manipuler les touches du panneau.



- Veillez à insérer fermement les fiches de câble dans leur douille de connexion.
- **Un branchement croisé risque d'endommager les pièces électroniques internes de l'imprimante ou le matériel du système hôte.**
- Utilisez l'imprimante uniquement avec des dispositifs ayant des spécifications solénoïde pour le connecteur de l'ouverture du tiroir-
caisse.
- **Le non-respect de cette précaution risque de provoquer un problème de fonctionnement ou une panne.**



ATTENTION

Pour éviter d'empirer les pannes ou les problèmes de l'imprimante, observez ce qui suit:

- Lorsque le capot du papier est ouvert, veillez à ne pas toucher le mécanisme de découpe manuel situé dans la fente d'éjection du papier.
- Ne touchez pas à la surface d'impression de la tête thermique.
- Ne touchez pas aux pièces mobiles (mécanisme de découpe du papier, engrenages, pièces électriques actives, par exemple) lorsque l'imprimante fonctionne.
- En cas de problème, ne tentez pas de réparer l'imprimante. Confiez-la au service de Citizen Systems pour la réparation.
- Veillez à ne pas vous coincer les mains ou les doigts dans les capots.
- Faites attention aux bords tranchants de l'imprimante. Ils risquent de vous blesser ou de provoquer des dommages matériels.
- **Risque de provoquer une électrocution, des brûlures ou des blessures.**



Si l'imprimante émet de la fumée, une odeur étrange ou un bruit anormal lors de l'impression, quittez immédiatement la session d'impression en cours et débranchez l'imprimante de la prise électrique.

ENTRETIEN JOURNALIER

Observez les précautions suivantes pour l'entretien quotidien.

- Lors du nettoyage de l'imprimante, mettez-la toujours hors tension et débranchez-la de la prise électrique.
- Utilisez un chiffon doux et sec pour nettoyer la surface du boîtier de l'imprimante.
Pour les taches tenaces, utilisez un chiffon doux légèrement imbibé d'eau.
N'utilisez jamais de solvants de nettoyage organiques, tels que de l'alcool, du diluant, du trichloroéthylène, du benzène ou de la cétone.
N'utilisez jamais de chiffon de nettoyage traité de manière chimique.
- Pour enlever la poussière de papier, utiliser une brosse souple.



ATTENTION

- **La tête thermique conserve une température dangereusement élevée immédiatement après usage. Laissez-la refroidir avant de démarrer les travaux d'entretien.**

TABLE DES MATIÈRES

1. PRÉSENTATION GÉNÉRALE.....	9
1.1 Fonctionnalités.....	9
1.2 Déballage.....	10
1.3 Classification des modèles	10
1.4 Spécifications de base.....	11
2. EXPLICATION DES COMPOSANTS DE L'IMPRIMANTE.....	13
2.1 Apparence extérieure de l'imprimante.....	13
2.2 À l'intérieur du capot papier.....	16
2.3 Autres fonctions intégrées.....	17
3. INSTALLATION	19
3.1 Branchement du cordon d'alimentation CA.....	19
3.2 Carte d'interface série	20
3.3 Carte d'interface USB.....	21
3.4 Carte d'interface Bluetooth.....	22
3.5 Carte d'interface d'Ethernet (LAN)/LAN sans fil.....	24
3.6 Modèle précédent de la carte d'interface Ethernet (LAN) + USB... ..	29
3.7 Connexion d'autres câbles d'interface.....	32
3.8 Branchement du tiroir-caisse.....	33
3.9 Précautions pour l'installation de l'imprimante.....	35
3.10 Partition pour rouleau de papier	36
3.11 Réglage du commutateur DIP sur la carte d'interface série... ..	37
3.12 Réglage du capteur de fin de papier proche	38
3.13 Chargement du papier.....	39
3.14 Fixation du capot du commutateur d'alimentation	40
3.15 Fixation du capot d'interface	41
3.16 Retrait du capot d'interface.....	41
3.17 Site de téléchargement de divers fichiers électroniques.....	42
3.18 Précautions pour la création d'applications et les opérations pratiques.....	42
4. ENTRETIEN ET DÉPANNAGE.....	43
4.1 Nettoyage périodique.....	43
4.2 Déverrouillage d'un verrou du système de découpe (1)	44
4.3 Déverrouillage d'un verrou du système de découpe (2)	44
4.4 Mode de test du fonctionnement	46
4.5 Fonction verrouillage des touches	48
4.6 Impression hexadécimale avec vidage de la mémoire	49
4.7 Messages d'erreur.....	50
4.8 Bourrages papier	52
4.9 Précautions de fonctionnement de l'interface série	52
5. DIVERS	53
5.1 Vues et dimensions externes.....	53
5.2 Papier d'impression.....	54
5.3 Réglage manuel des commutateurs de mémoire.....	55

1. PRÉSENTATION GÉNÉRALE

L'imprimante thermique par ligne de la série CT-S851II est conçue pour une utilisation avec une grande variété d'équipements, y compris des postes terminaux, des terminaux de points de vente et des terminaux de cuisine. Ces imprimantes possèdent des fonctionnalités étendues de façon qu'elles puissent être utilisées avec une grande plage d'applications.

1.1 Fonctionnalités

- Impression à grande vitesse (300 mm/s)
- Design si compact qu'il peut être installé n'importe où (83 mm maximum (3 pouces), taille du rouleau de papier)
- La construction imperméable à l'eau empêche l'eau d'entrer par le dessus
- Le papier est alimenté par l'avant de sorte que l'imprimante peut être placée dans des espaces réduits
- Choisissez parmi deux modèles contenant des rouleaux de papier de 83/80 mm (3 pouces) ou de 60/58 mm (2 pouces)
- Types avec alimentation intégrée ou adaptateur CA disponibles
- État de l'imprimante et erreurs indiqués par LCD, DEL et un signal sonore
- L'affichage LCD et les 4 touches rendent facile les modifications des réglages
- Muni d'un système de découpe rapide et silencieux
- Bourrages de papier de découpe faciles à éliminer
- Alimentation USB désactivée
- Interface interchangeable
- Une fonction d'hôte USB pouvant contrôler les appareils périphériques est fournie pour l'interface LAN câblée.
- Interface d'arrêt du tiroir-caisse intégrée
- Commutateurs de mémoire permettant une personnalisation
- Caractères et logos définis par l'utilisateur dans la mémoire de l'utilisateur
- Prise en charge des codes à barres et des codes à barres 2D
- Échelle de gris de 16 niveaux et impression claire
- Fonctions d'économie de papier
- Kanji japonais, chinois (simplifié et traditionnel) et hangul pris en charge
- Pilote et logiciel utilitaire fournis
- Appui à la communication Apple MFi certifié Bluetooth (modèle Bluetooth)
- Certains modèles prennent en charge le papier marque noire

1.2 Déballage

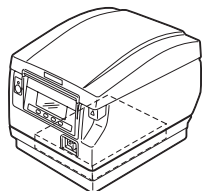
Assurez-vous que les éléments suivants sont fournis avec l'imprimante.

- Imprimante: 1
- Capot d'interface: 1
- Cordon d'alimentation CA: 1
- Capot du commutateur d'alimentation: 1
- Rouleau de papier échantillon: 1 rouleau
- Guide de démarrage rapide: 2
- Adaptateur CA*1: 1
- Câble USB*2: 1

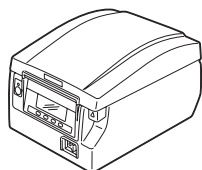
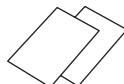
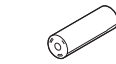
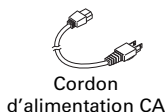
Remarques:

*1: CT-S851IIA uniquement

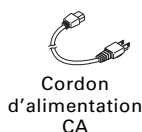
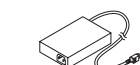
*2: Types à interface USB uniquement
Pour les marchés désignés



CT-S851IIS
(type à alimentation intégrée)
36AD3/37AD3 adaptateur CA
intégrés



CT-S851IIIA
(type à adaptateur CA)



1.3 Classification des modèles

Les numéros de modèle indiquent les fonctionnalités des imprimantes en fonction du système suivant.

CT - S851IIS 3 RS E - BK - P M1

Alimentation

DC: Pas de source d'alimentation

S: Type à alimentation intégrée

A: Type à adaptateur CA

Largeur de papier

3: 80/83 mm (3 pouces)

2: 58/60 mm (2 pouces)

Interface

PA: Parallèle

RS: Série RS-232C

UB: USB uniquement

UH: USB avec concentrateur

ET: Ethernet (type standard)

ES: Ethernet (type multi-fonction)

UP: Powered USB

BT: Bluetooth

WF: WiFi (2.4GHz) W5: WiFi (5.0GHz)

HET: Ethernet (fonction d'hôte USB)

Capteur BM

: Non

M1: Côté gauche

M2: Côté droit

Capteur PNE

: Non

P: Capteur PNE

Couleur du boîtier

WH: Blanc

BK: Noir

Marché*

J: Japon

E: Europe

U: Amérique du Nord

C: Chine

A: Asie/Océanie

Certaines combinaisons sont indisponibles. Vérifiez auprès de Citizen au préalable.

Remarque:

*: Le cordon d'alimentation CA, vis d'interface série, programme ainsi que d'autres spécifications varient en fonction du marché.

1.4 Spécifications de base

Rubrique	Caractéristiques					
Modèle	CT-S851II					
Méthode d'impression	Méthode d'impression matricielle thermique par ligne					
Largeur d'impression *1	80 mm/640 points, 72 mm/576 points, 64 mm/512 points, 54,5 mm/436 points, 54 mm/432 points, 52,5 mm/420 points, 48 mm/384 points, 45 mm/360 points, 48,75 mm/390 points, 68,25 mm/546 points					
Densité de point	8 × 8 points/mm (203 dpi)					
Vitesse d'impression	300 mm/s (le plus rapide, densité d'impression de 100%, 2400 lignes de points/s)					
Nombre de colonnes d'impression *2	—	Nombre de caractères maximum (colonnes)				Configuration des points (points)
	Largeur de papier	83 mm	80 mm	60 mm	58 mm	
	Police					
	Police A	53	48	36	35	
	Police B	71	64	48	46	
Police C	80	72	54	52	8 × 16	
Taille des caractères*3	Police A: 1,50 × 3,00 mm Police B: 1,13 × 3,00 mm Police C: 1,00 × 2,00 mm					
Type de caractère	Alphanumérique, international, PC437/850/852/857/858/860/863/864/865/866, WPC1252, katakana, ThaiCode 11/18 (1Pass/3Pass), TCVN-3					
Affichage à cristaux liquides (LCD)	128 × 32 points cristaux liquides STN, rétroéclairage par DEL blanche/rouge					
Mémoire utilisateur	384 Ko (capable de stocker les caractères et les logos définis par l'utilisateur)					
Types de codes de barres	UPC-A/E, JAN (EAN) 13/8 colonnes, ITF, CODE39, CODE128, CODABAR (NW-7), CODE93, PDF417, QR Code, GS1-Databar					
Espacement de lignes	4,23 mm (1/6 pouce) (modifiable en utilisant les commandes)					
Rouleau de papier	Rouleau de papier: 83 ⁺⁰ ₋₁ mm/80 ⁺⁰ ₋₁ mm/60 ⁺⁰ ₋₁ mm/58 ⁺⁰ ₋₁ mm × maximum ø83 mm Épaisseur du papier : 65 à 75 µm (diamètre du noyau du rouleau : intérieur 12 mm/extérieur 18 mm) 75 à 85 µm (diamètre du noyau du rouleau : intérieur 25,4 mm/extérieur 32 mm)					
Interface	Série (conforme à RS-232C), Parallèle (conforme à IEEE 1284), USB, USB avec concentrateur, Ethernet, Powered USB, Bluetooth(3.0), LAN sans fil (802.11b/g ou 802.11a/b/g/n), LAN(fonction d'hôte USB) (port USB 2)					
Arrêt du tiroir-caisse	Prend en charge 2 tiroirs caisse					
Taille de tampon	4 k octets/45 octets					
Tension d'alimentation	CC 24 V ±5%					
Consommation électrique	Environ 45 W (impression normale), 3 W (attente)					
Adaptateur CA *4 (36AD2/3, 37AD3/5)	Entrée nominale: 100 à 240 V CA, 50/60 Hz, 150 VA Sortie nominale: 24 V CC, 2,1 A					

Rubrique	Caractéristiques
Poids	CT-S851IIS: environ 1,9 kg, CT-S851IIA: environ 1,5 kg
Dimensions externes	CT-S851IIS: 145 (l) × 192 (P) × 142 (H) mm CT-S851IIA: 145 (l) × 192 (P) × 114 (H) mm
Température et humidité de fonctionnement	De 5 à 45°C, 10 à 90% RH (sans condensation)
Température et humidité de stockage	De -20 à 60°C, 10 à 90% RH (sans condensation)
Fiabilité	Durée de vie de la tête d'impression: 150 km, 200 millions d'impulsions (à une température et humidité normale et en utilisant le papier recommandé) Durée du vie du système de découpe automatique: 2 millions de coupes (découpe complète), 1,6 millions de coupes (découpe partielle) (à une température et humidité normale et en utilisant le papier recommandé et l'épaisseur de papier recommandée)
Standard de sécurité *5	UL, cUL, FCC, IC, CE, UKCA *

*:Veuillez nous contacter pour plus d'informations sur les autres régions et sur le dernier état tel que les numéros standard.

Remarques:

*1: Quand la largeur de papier est de 83, 80, 60 ou 58 mm.

*2: Le nombre de colonnes imprimables est sélectionné avec le commutateur de mémoire.

Le nombre de colonnes noté dans ce tableau se rapporte à des modèles typiques. Le nombre de colonnes varie en fonction des spécifications.

*3: Les caractères apparaissent plus petits parce que les dimensions comprennent une zone blanche autour de chaque caractères.

*4: Le 36AD2/37AD5 est l'adaptateur CA livré en tant qu'accessoire avec le CT-S851IIA.

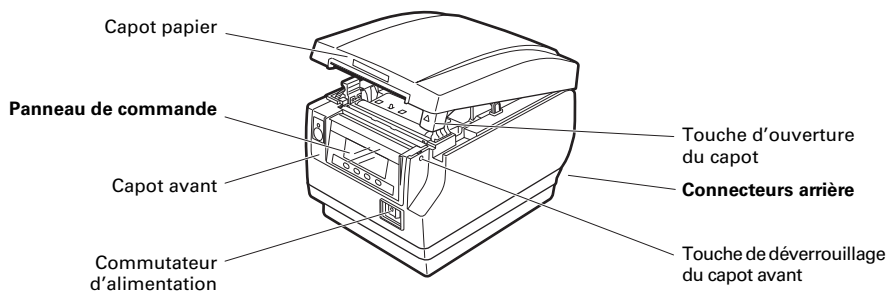
Le 36AD3/37AD3 est l'adaptateur CA intégré dans le modèle CT-S851IIS.

*5: Compatible si l'adaptateur CA de Citizen Systems (36AD2/3, 37AD3/5) est utilisé.

2. EXPLICATION DES COMPOSANTS DE L'IMPRIMANTE

2.1 Apparence extérieure de l'imprimante

Nom des composants



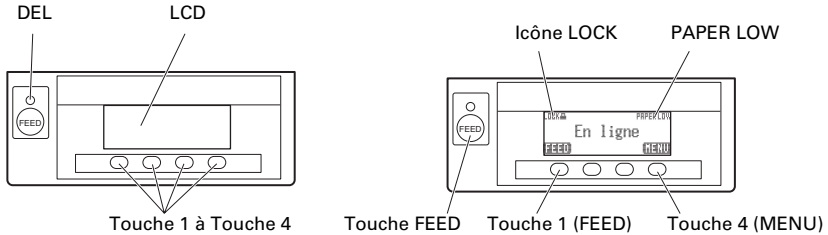
- **Capot papier**
Ouvrez pour charger le papier.
- **Touche d'ouverture du capot**
Utilisez cette touche pour ouvrir le capot papier.
- **Capot avant**
Ouvrez et fermez ce capot pour déverrouiller le verrou du système de découpe.



Reportez-vous à 4.3 Déverrouillage d'un verrou du système de découpe (2)

- **Touche de déverrouillage du capot avant**
Appuyez sur cette touche pour ouvrir le capot avant.
- **Commutateur d'alimentation**
Appuyez sur ce commutateur pour mettre l'appareil sous ou hors tension.

Panneau de commande



Des exemples sont montrés dans le diagramme du LCD ci-dessus à droite.

- **LCD**

Indique l'état de l'imprimante, les noms des touches, les types d'erreur et des messages.

- **DEL**

S'allume en vert quand l'appareil est sous tension, s'éteint quand l'appareil est hors tension.

Clignote en vert lors de la réception de données.

S'allume en rouge dans les modes spéciaux et en cas d'erreur.

S'allume en orange quand il ne reste pas beaucoup de papier (fin de papier proche) ou que la tête d'impression est chaude.

- **Touche 1 à Touche 4**

Les fonctions affectées à ces touches dépendent en fonction du mode actif. Les touches en-dessous du LCD sont appelées touche 1, touche 2, touche 3 et touche 4 dans l'ordre de gauche à droite.

- **Touche FEED**

Appuyez sur cette touche pour faire avancer le papier.

Pour débloquent le verrou du système de découpe, éliminez la cause du verrouillage, fermez le capot papier, puis appuyez sur la touche FEED.



Reportez-vous à 4.7 Messages d'erreur

- **Touche MENU**

Maintenez pressée cette touche (pendant au moins deux secondes) pour accéder au mode de réglage du commutateur de mémoire.



Reportez-vous à 5.3 Réglage manuel des commutateurs de mémoire

- **PAPER LOW**

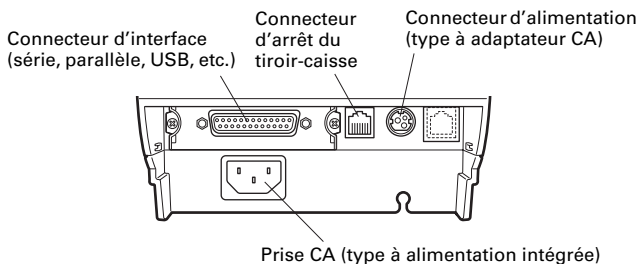
Apparaît quand le rouleau de papier est presque fini.

- Icône LOCK
Cet icône indique que la touche MENU est inopérante.



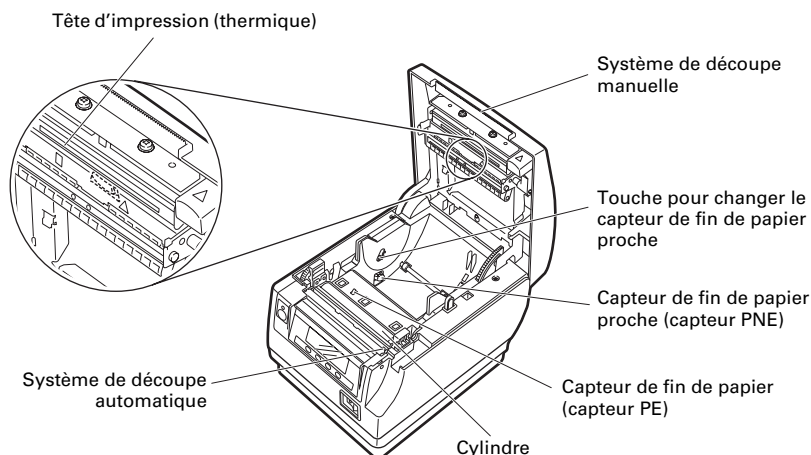
Reportez-vous à 4.5 Fonction verrouillage des touches

Connecteurs arrière



- Connecteur d'interface (série, parallèle, USB, etc.)
Connecté au câble d'interface.
La carte d'interface série est munie d'un commutateur DIP.
- Connecteur d'arrêt du tiroir-caisse
Connecté au câble du tiroir-caisse.
- Connecteur d'alimentation (type à adaptateur CA)
Connecté au câble de l'adaptateur CA.
- Prise CA (type à alimentation intégrée)
Connecté au cordon d'alimentation CA.

2.2 À l'intérieur du capot papier



- **Cylindre**
Fait avancer le papier.
Ne déposez pas le cylindre sauf pour l'entretien.
- **Capteur de fin de papier proche (capteur PNE)**
Détection quand le papier est proche de la fin du rouleau. Ajustez la position du capteur pour déterminer quand il détecte que la fin du papier est proche.
- **Touche pour changer le capteur de fin de papier proche**
Changez la position du capteur de fin de papier proche en fonction du papier utilisé.



Reportez-vous à 3.12 Réglage du capteur de fin de papier proche

- **Système de découpe manuelle**
Pour couper le papier manuellement quand l'impression est terminée.
- **Système de découpe automatique**
Coupe automatiquement le papier quand l'impression est terminée.



Reportez-vous à 5.3 Réglage manuel des commutateurs de mémoire

- **Tête d'impression (thermique)**
Imprime les caractères et les données graphiques sur le papier (rouleaux de papier).

- Capteur de fin de papier (capteur PE)
Détection quand il n'y a pas de papier. L'impression s'arrête quand ce capteur détecte qu'il n'y a pas de papier.

2.3 Autres fonctions intégrées

- Vibreur
Un signal sonore est émis en cas d'erreur ou quand des opérations ou des commandes sont effectuées.



Reportez-vous à 4.7 Messages d'erreur

- Mémoire utilisateur
Vous pouvez sauvegarder un logo défini et des caractères définis par l'utilisateur dans cette mémoire. Les données restent stockées dans cette mémoire même si l'imprimante est mise hors tension. Pour savoir comment sauvegarder des données, reportez-vous à la Référence des commandes.
- Commutateur de mémoire
Le réglage de divers types de fonctions peut être mémorisé. Les réglages restent stockés dans la mémoire même si l'imprimante est mise hors tension.
- Alimentation USB désactivée (lorsque le commutateur de mémoire MSW6-3 est réglé sur ACTIVÉ)
Lorsque l'imprimante est connectée à un PC via USB, mettre le PC sous tension ou déconnecter la fiche USB peut entraîner la mise hors tension de la clé USB de l'imprimante trois secondes plus tard.
Ce mode est annulé lorsque le PC est de nouveau sous tension ou lorsqu'une connexion USB est établie.



ATTENTION

- La POWER LED est éteinte lorsque l'alimentation USB est désactivée, et que l'état OFF de l'alimentation ne peut pas être identifié.
- Appuyer sur POWER alors que l'alimentation USB est désactivée ne met pas immédiatement l'appareil sous tension. Après un moment, l'alimentation USB désactivée est annulée et appuyer sur POWER permet la mise sous tension normale.

- Fonctions d'économie de papier

Les commutateurs de mémoire de MSW8-3 à MSW8-5 peuvent être utilisés pour configurer les réglages ci-dessous, comme l'économie de papier.

 - Suppression de marge supérieure

L'imprimante alimente en retour le papier avant l'impression qui réduit l'espace vide sur le bord supérieur du papier.
La quantité de réalimentation peut être spécifiée.
 - Line gap reduce

Comprime automatiquement le saut de ligne entre les lignes. Le taux de compression peut être spécifié.
 - Compression de texte verticale/horizontale

Réduit la taille d'impression.
La compression est spécifiée par une combinaison de taux de compression vertical et horizontal.

- Fonction de glissement de point (MSW8-6)

Cette fonction libère la charge de chaleur pendant une génération de chaleur par une ligne pré-marquée verticale ou un autre élément chauffant de tête spécifique.

Si aucune donnée n'est reçue dans les 15 secondes après chaque coupe ou impression, la position d'impression est automatiquement glissée sur les points N* vers la droite. La position d'impression originale revient au prochain minutage de diapositive.

* N est la valeur de réglage de MSW8-6.



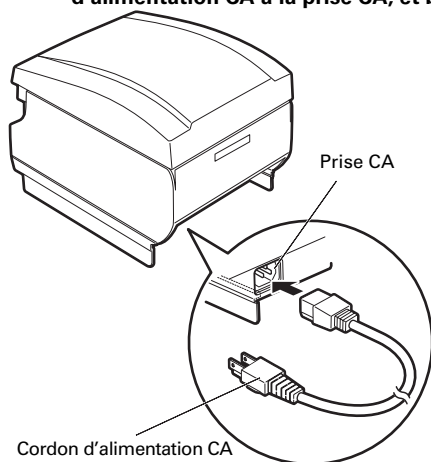
ATTENTION

- Avant de configurer le réglage de suppression de la marge supérieure, enlevez d'abord tout papier partiellement coupé de l'imprimante. Ne pas le faire risque d'entraîner l'arrachement du papier coupé lors de la prochaine impression, entraînant un problème lors de l'impression.
- Notez les précautions suivantes lors de l'utilisation de la compression de texte.
 - **Du texte comprimé est plus difficile à lire que le texte original.**
 - **Comprimer du texte horizontalement permet de réduire l'intervalle d'impression, de cette manière le nombre de lignes d'impression ne change pas. Faites particulièrement attention à l'intervalle d'impression lors de l'utilisation de papier étroit.**
 - **N'utilisez pas de texte comprimé lors de l'impression d'un code-barres. Le code-barres serait alors illisible.**
- Si la marge droite est très étroite, certains caractères d'impression risquent d'être coupés. Cette fonction est désactivée sous les réglages initiaux. Pour activer cette fonction, utilisez MSW8-6 pour spécifier une valeur appropriée pour le nombre maximum de diapositives.

3. INSTALLATION

3.1 Branchement du cordon d'alimentation CA

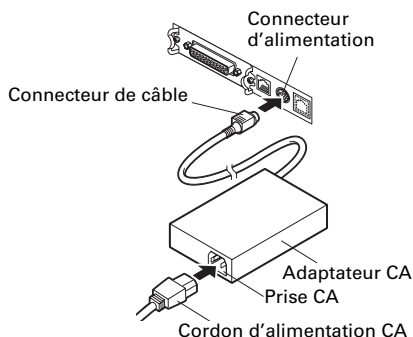
1. Mettez l'appareil hors tension.
2. ● Pour l'imprimante à alimentation intégrée, connectez le cordon d'alimentation CA sur la prise CA et branchez la fiche sur une prise électrique.
● Pour l'imprimante à adaptateur CA, connectez le connecteur de câble de l'adaptateur CA au connecteur d'alimentation. Ensuite, connectez le cordon d'alimentation CA à la prise CA, et branchez la fiche sur une prise électrique.



Type à alimentation intégrée



ATTENTION



Type à adaptateur CA

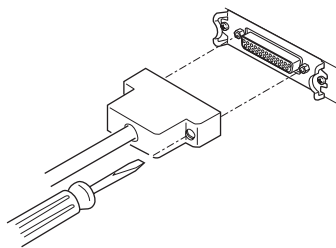
- Utilisez uniquement un adaptateur CA compatible avec les valeurs spécifiées.
- Tenez toujours le connecteur de câble de l'adaptateur CA par le connecteur quand vous le branchez ou le débranchez.
- Utilisez une source d'alimentation CA qui n'est pas aussi utilisée pour alimenter un appareil qui génère du bruit électromagnétique.
- Tirer directement sur le cordon d'alimentation CA peut l'endommager, et être la cause d'un incendie, d'un choc électrique ou de la rupture d'un fil.
- En cas d'approche d'un orage, débranchez le cordon d'alimentation CA de la prise électrique. La foudre pourrait provoquer un incendie ou un choc électrique.
- Maintenez le cordon d'alimentation CA éloigné des appareils de chauffage. L'isolant du cordon d'alimentation CA peut fondre et entraîner un incendie ou un choc électrique.
- Si vous n'avez pas l'intention d'utiliser l'imprimante pendant une longue période, débranchez le cordon d'alimentation CA de la prise électrique.
- Placez le cordon d'alimentation CA de façon que personne ne marche dessus.
- Pour l'imprimante à adaptateur CA, assurez-vous de débrancher le cordon d'alimentation secteur lorsque vous connectez le connecteur du câble au connecteur d'alimentation. Si le cordon d'alimentation secteur est laissé branché à la prise électrique, les bornes 24 V et GND du connecteur du câble peuvent entrer en contact avec la tête de vis ou d'autres pièces métalliques et provoquer un court-circuit, entraînant un dysfonctionnement de l'adaptateur secteur.

3.2 Carte d'interface série

Les données peuvent être échangées par communication série.

Branchement des câbles d'interface

1. Mettez l'appareil hors tension.
2. Orientez correctement le câble d'interface et introduisez-le dans le connecteur d'interface.



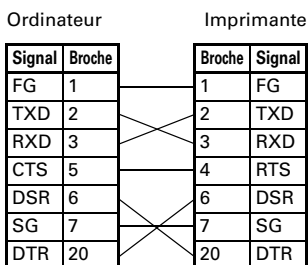
3. Insérez solidement l'autre connecteur dans le port de l'interface de l'ordinateur hôte.

ATTENTION

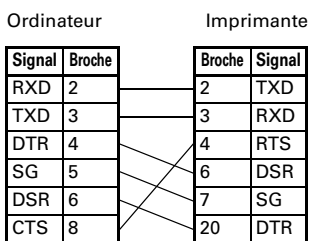
- En débranchant le câble, tenez toujours le connecteur.
- Placez le câble d'interface de façon que personne ne marche dessus.

Utilisez un câble d'interface série avec la méthode de connexion ci-dessous.

Câble 25 broches - 25 broches



Câble 9 broches - 25 broches



3.3 Carte d'interface USB

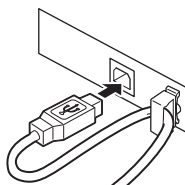
Les données peuvent être échangées par communication USB.

Spécifications

Standard	Conforme à la spécification USB 2.0
Vitesse de communication	Prend en charge le transfert 12 Mbps (pleine vitesse)

Branchement des câbles d'interface

1. **Mettez l'appareil hors tension.**
2. **Orientez correctement le câble d'interface et introduisez-le dans le connecteur d'interface.**



3. **Insérez solidement l'autre connecteur dans le port de l'interface de l'ordinateur hôte.**

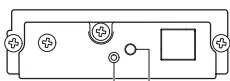


ATTENTION

- En débranchant le câble, tenez toujours le connecteur.
- Placez le câble d'interface de façon que personne ne marche dessus.
- Faire attention à ne pas insérer le câble d'interface USB dans le connecteur d'arrêt du tiroir-caisse.
- Pour connecter plus d'une imprimante à un seul ordinateur via une interface USB, vous devez changer le numéro de série de l'interface USB.

3.4 Carte d'interface Bluetooth

DEL d'état de Bluetooth



DEL d'état Commutateur

La DEL sur la carte d'interface Bluetooth à l'arrière de l'imprimante indique le statut ci-dessous.

État	Description	État de DEL
Mise en veille de détection (visible)	Mise en veille de la détection et la connexion	
Mise en veille de connexion (Connectable)	Mise en veille pour la connexion	
Connexion iOS	Session de données non ouverte	
En communication	iOS: session de données ouverte Autres SE: connexion établie et communication en cours	
Erreur	Erreur ou réglages configurés	Éteinte

Opération de couplage

Vous devez réaliser les opérations ci-dessous la première fois que vous établissez une connexion Bluetooth pour la communication de données Bluetooth.

A: détecter les appareils Bluetooth

B: configurer les réglages de couplage

A: détection des appareils Bluetooth

Vérifiez que le Bluetooth est activé sur le PC hôte avant de rechercher les appareils Bluetooth.

Ce produit apparaît en tant que "CT-S851II_XX"(XX sont les 2 derniers chiffres de l'Numéro de série uniquement.) lorsqu'il est détecté.

Sélectionnez ce produit parmi les appareils détectés.

Remarque: vous pouvez rechercher des appareils et changer leurs noms.

Lorsque le commutateur de mémoire MSW13-5 est réglé sur "No Response" rien ne s'affiche lors de la détection d'appareil.

Vous pouvez temporairement basculer ce réglage sur détection d'appareil (mode de détection) en appuyant sur le commutateur sur la carte d'interface Bluetooth. Vous quittez le mode de détection lorsque la connexion entre le PC hôte est terminée.

B: configuration des réglages de couplage

En règle générale, sélectionner l'imprimante pendant la détection d'appareils permettra d'aboutir directement aux réglages de couplage.



ATTENTION

Certaines configurations et modèles de PC hôte risquent de ne pas aboutir aux réglages de couplage une fois l'imprimante sélectionnée pendant la détection d'appareils.

Selon que le SSP (couplage simple sécurisé) est activé sur le PC hôte ou non, l'opération requise pour configurer les réglages de couplage est différente.

Si le SSP est activé sur le PC hôte, le couplage peut être terminé sans opérations supplémentaires.

Si le SSP est désactivé sur le PC hôte, vous serez invité à saisir une clé d'accès. Saisissez la clé d'accès tel que décrit ci-dessous.

Clé d'accès Quatre derniers chiffres de l'adresse auto-imprimée
(Les lettres de A à F sont des majuscules)
Exemple: si l'adresse est 01:23:45:67:89:AB
la clé d'accès est 89AB.

Si vous supprimez des informations de couplage du PC hôte sans supprimer les informations de couplage correspondantes, l'imprimante risque de ne pas apparaître si vous détectez à nouveau des appareils avec le PC hôte.

Pour supprimer les informations de couplage d'imprimante, maintenez enfoncé le commutateur sur la carte d'interface Bluetooth pendant minimum deux secondes.

La suppression des informations de couplage sur l'imprimante placera l'imprimante en mode découverte.

Demande de reconnexion

Avec la communication d'appareil iOS Bluetooth, une connexion entre un appareil iOS couplé et l'imprimante n'est pas automatiquement rétablie une fois perdue. Néanmoins, lorsque la demande de reconnexion est activée, l'imprimante tente de se reconnecter à un appareil iOS une fois une communication à double sens activée et rétablit automatiquement la connexion.



ATTENTION

Cette fonction est activée à la livraison en usine. (MSW13-6)

La demande de reconnexion peut prendre quelques instants lorsque l'hôte n'est pas un appareil iOS.

■ Même si l'appareil partenaire est un appareil iOS, les conditions ci-dessous peuvent interférer avec la fonction de demande de reconnexion.

- **Lorsque vous souhaitez que la communication Bluetooth se coupe une fois l'impression terminée**
- **Lorsque plusieurs appareils iOS impriment sur la même imprimante**

Sous de telles conditions, désactivez la demande de reconnexion.

Activation et désactivation de la demande de reconnexion

Pour changer le réglage de cette fonctionnalité, utilisez la méthode suivante.

Appuyez sur la touche FEED à 3 reprises pendant l'auto test -> Demande de reconnexion = Valide

Appuyez sur la touche FEED à 4 reprises pendant l'auto test -> Demande de reconnexion = Invalide

À la fin de l'auto test, un nouveau paramètre sera imprimé en tant que Demande de reconnexion [Valid] ou [Invalid].



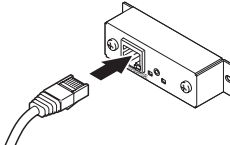
Reportez-vous à 4.4 Mode de test du fonctionnement

3.5 Carte d'interface d'Ethernet (LAN)/LAN sans fil

Cette section donne un aperçu de la carte d'interface. Pour plus de détails sur cette carte, y compris des explications concernant la fonction d'hôte USB et la prise en charge des périphériques XML, reportez-vous au manuel séparé.

Branchement des câbles d'interface

1. **Mettez l'appareil hors tension.**
2. **Orientez correctement le câble d'interface et introduisez-le dans le connecteur d'interface.**



3. **Raccordez l'autre connecteur à un concentrateur, un routeur ou un appareil similaire.**

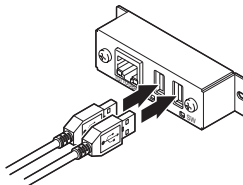


ATTENTION

- En débranchant le câble, tenez toujours le connecteur.
- Placez le câble d'interface de façon que personne ne marche dessus.
- Maintenez le connecteur du câble d'interface Ethernet perpendiculaire et droit lors de sa connexion et de sa déconnexion. S'il est incliné lors de cette opération, le connecteur risque d'être mal raccordé.

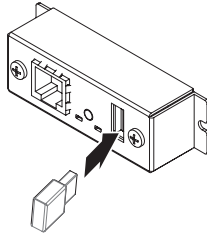
Raccordement à un Appareil périphérique

1. **Mettez l'appareil hors tension.**
2. **Insérez le câble de l'appareil périphérique dans le connecteur.**



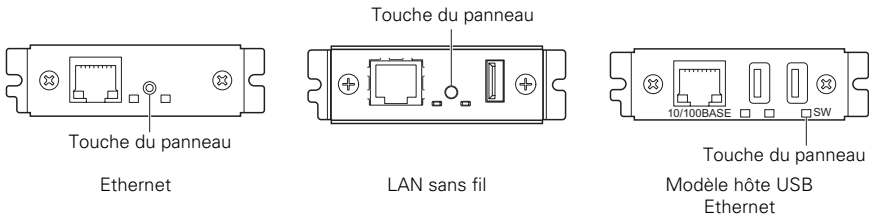
Connexion de l'adaptateur LAN sans fil

1. **Mettez l'appareil hors tension.**
2. **Connectez l'adaptateur LAN sans fil au connecteur.**



Touche de panneau de commande

Les opérations relatives à la carte sont effectuées à l'aide de la touche du panneau à l'arrière de la carte LAN.



- **Activation de la connexion LAN**
Mettez l'imprimante sous tension. Le fonctionnement de cette carte démarrera environ 20 secondes plus tard.
- **Impression des informations de configuration LAN**
Appuyez sur la touche du panneau de commande.
- **Saisie du mode de réglage**
Enfoncez la touche du panneau de commande. Un signal sonore* retentira une fois pour indiquer que le mode de réglage a été saisi.
 - Vous pouvez utiliser le mode réglages pour lire les réglages en usine.
 - Si aucune opération n'est effectuée pendant trois secondes en mode de configuration, le mode normal est rétabli.
- **Rétablissement des réglages en usine**
Saisissez le mode réglage de la carte, puis, maintenez la touche du panneau de commande enfoncée. Il permet de rétablir les réglages en usine de la carte.

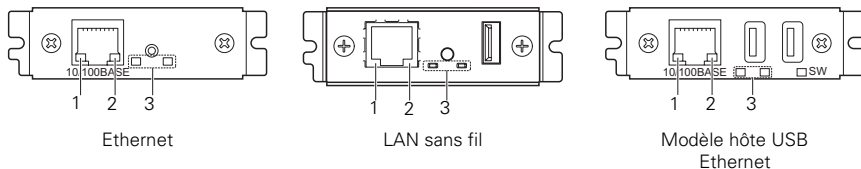


ATTENTION

La carte redémarrera automatiquement une fois cette opération terminée. Une fois les réglages effacés, vous devez reconfigurer les réglages de réseau.

Fonctions DEL

Les tableaux ci-dessous expliquent comment interpréter les indications DEL.



1. Vitesse de transmission LAN câblée

Vitesse de transmission	DEL (verte)
100 Mbps	Allumée
10 Mbps/Non connecté	Éteinte

2. Connexion LAN câblée/état de transmission

État de connexion	DEL (jaune)
Connectée	Allumée
Non connectée	Éteinte
Transmission de données en cours	Clignotement

3. État de LAN câblé/sans fil

État de connexion		DEL (verte)	DEL (rouge)	Description
Pas de connexion d'imprimante		Éteinte	—	La carte n'est pas connectée à une imprimante.
Connexion d'imprimante	Pas de connexion réseau	Allumée	Éteinte	La carte est connectée à une imprimante.
	Connectée par LAN câblé	Allumée	Clignotement (cycle de 1 seconde)	Obtention d'une adresse IP depuis le serveur DHCP sur le réseau LAN câblé.
	Fonctionnement du réseau LAN câblé	Allumée	Allumée	Fonctionnement du réseau en cours de réalisation sur un réseau LAN câblé.
	Connectée par le réseau LAN sans fil *	Clignotement (cycle de 2 seconde)	Clignotement (cycle de 1 seconde)	Connexion à un point d'accès ou obtention d'une adresse IP depuis le serveur DHCP sur le réseau LAN sans fil.
	Fonctionnement du réseau LAN sans fil *	Clignotement (cycle de 2 seconde)	Allumée	Fonctionnement du réseau en cours de réalisation sur un réseau LAN sans fil.
Erreur de ressource		Clignotement alternatif (cycle de 1 seconde)		La carte ne peut pas fonctionner normalement.
Erreur système		Clignotement alternatif (cycle de 0,2 seconde)		La carte ne peut pas fonctionner normalement.

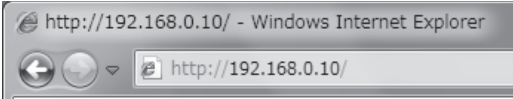
*: Uniquement lors de l'utilisation d'un réseau LAN sans fil

Gestionnaire Web

La carte d'interface dispose d'une fonction de gestion Web permettant la connexion à la carte avec un navigateur Web et la modification des réglages de la carte.

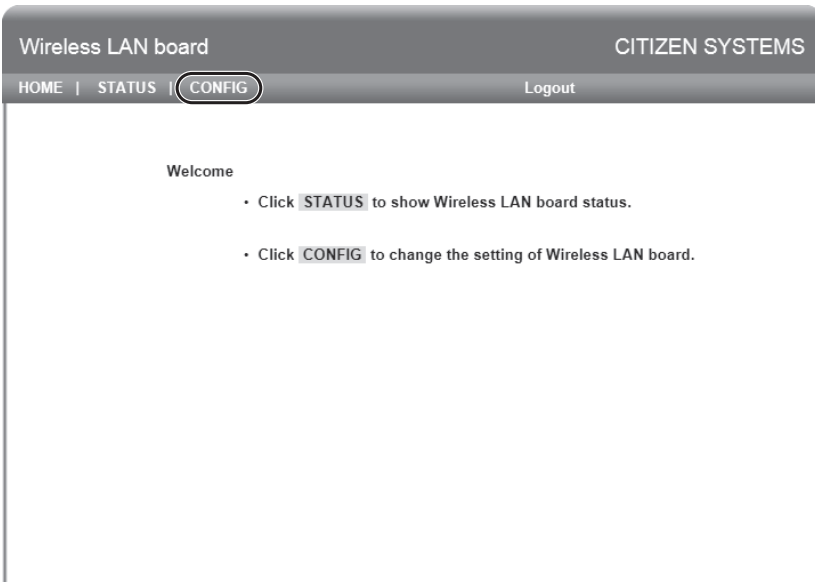
Démarrage du Gestionnaire Web

1. **Démarrez un navigateur Web.**
2. **Dans le champ adresse, saisissez l'adresse IP de la carte puis appuyez sur [Enter].**



Écran HOME

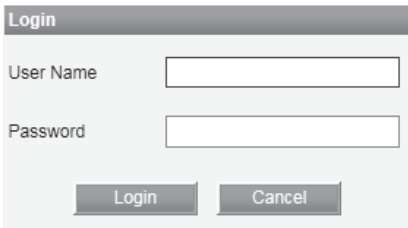
Il s'agit de l'écran d'accueil du gestionnaire Web.
L'écran suivant est un exemple pour un réseau LAN sans fil.



Appuyez, ici sur la touche [CONFIG].

Écran CONFIG

La boîte de dialogue de connexion indiquée ci-dessous s'affich. Connectez-vous en tant qu'administrateur, puis configurez les réglages de la carte d'interface.

A screenshot of a 'Login' dialog box. The title bar is grey and contains the word 'Login'. Below the title bar, there are two text input fields. The first is labeled 'User Name' and the second is labeled 'Password'. At the bottom of the dialog box, there are two buttons: 'Login' on the left and 'Cancel' on the right.

- **User Name**
Saisissez un nom d'utilisateur d'administrateur de la carte. (Réglage initial: admin)
- **Password**
Saisissez le mot de passe d'utilisateur administrateur. (Réglage initial: admin)
- **Touche [Login]**
Après avoir saisi un nom d'utilisateur et mot de passe utilisateur, cliquez sur la touche [Login]. Celle-ci affiche l'écran de réglage.

Pour plus de détails concernant les réglages, reportez-vous au manuel séparé.

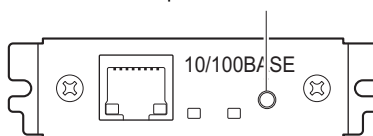
3.6 Modèle précédent de la carte d'interface Ethernet (LAN) + USB

Cette section fournit une vue d'ensemble de la carte d'interface Ethernet (LAN). Pour plus de détails concernant cette carte, reportez-vous au manuel séparé.

Touche de panneau de commande

Les opérations de carte sont réalisées à l'aide de la touche de panneau de commande sur la carte Ethernet. Vous pouvez utiliser la touche pour imprimer les informations de configuration et pour rétablir les réglages d'usine de la carte.

Touche de panneau de commande



- Impression des informations de configuration de réseau
Appuyez sur la touche du panneau de commande.
- Saisie du mode de réglage
Enfoncez la touche du panneau de commande. Un signal sonore* retentira une fois pour indiquer que le mode de réglage a été saisi.
 - Vous pouvez utiliser le mode réglage pour lire les réglages en usine et pour imprimer les informations du micrologiciel.
 - Si vous ne réalisez aucune opération pendant trois secondes alors que vous êtes en mode réglage, un signal sonore* retentira une fois pour indiquer que la carte est revenue en mode normal.

* Selon les réglages, le signal sonore peut ne pas retentir.
- Rétablissement des réglages en usine
Saisissez le mode réglage de la carte, puis, maintenez la touche du panneau de commande enfoncée. Il permet de rétablir les réglages en usine de la carte.

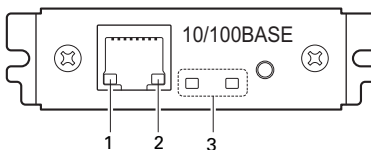


ATTENTION

- La carte redémarrera automatiquement une fois cette opération terminée.
- Si les réglages sont configurés pour obtenir une adresse IP automatiquement depuis un serveur DHCP, la nouvelle adresse IP peut être différente de la précédente.

Fonctions DEL

Les tableaux ci-dessous expliquent comment interpréter les indications DEL.



1. Vitesse de transmission de réseau

Vitesse de transmission	DEL (verte)
100 Mbps	Allumée
10 Mbps/Non connecté	Éteinte

2. État du réseau

État	DEL (jaune)
Connectée	Allumée
Non connectée	Éteinte
Transmission de données en cours	Clignotement

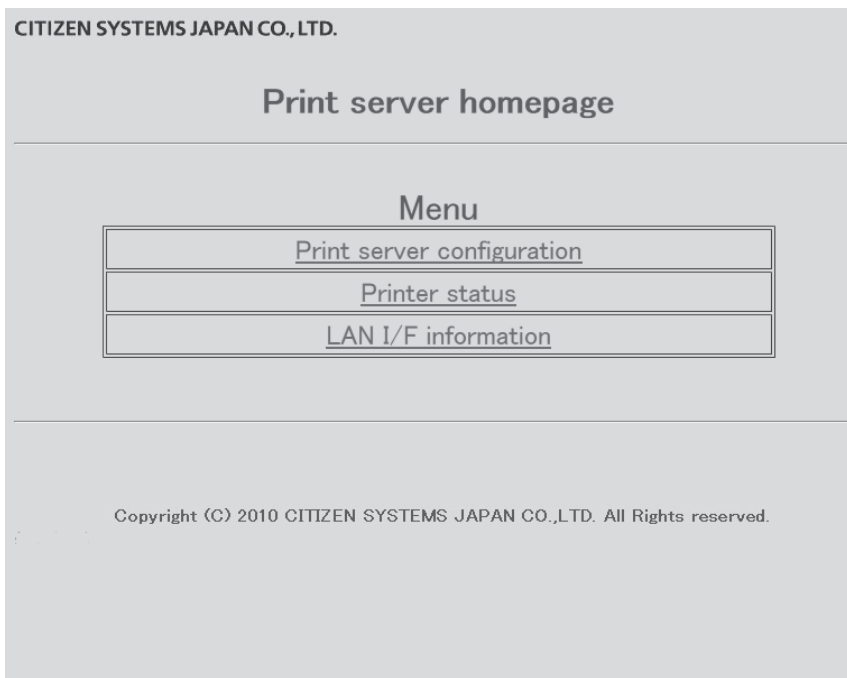
3. État de carte

État	DEL (verte)	DEL (rouge)	Description
Pas de connexion d'imprimante	Éteinte	—	La carte n'est pas connectée à une imprimante.
Connexion à une imprimante	Allumée	—	La carte est connectée à une imprimante.
Pas de connexion réseau	—	Éteinte	La carte n'est pas connectée à un réseau.
Obtention d'une adresse IP	—	Clignotement (cycle de 0,5 seconde)	Obtention d'une adresse IP du serveur DHCP.
Connectée au réseau	—	Allumée	Connexion réseau terminée.
Erreur de ressource	Clignotement alternatif (cycle de 0,5 seconde)		La carte ne peut pas fonctionner normalement.
Erreur système	Clignotement alternatif (cycle de 0,1 seconde)		La carte ne peut pas fonctionner normalement.

Modification des réglages de réseau

Vous pouvez utiliser un navigateur Web pour accéder à une page de réglages spéciaux et modifier les réglages de la carte.

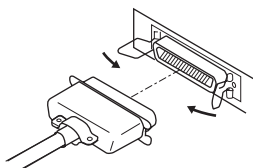
- Accès à la page de réglages spéciaux
- 1. **Utilisez un navigateur Web pour accéder à l'URL de la page des réglages spéciaux. Spécifiez l'adresse IP attribuée à l'imprimante en tant qu'URL. (Exemple: pour une adresse IP de 169.254.1.10, saisissez: <http://169.254.1.10>.)**
- 2. **Elle affiche la page du menu de page des réglages spéciaux.**



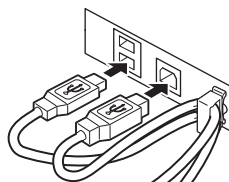
- 3. **Sélectionnez "Print server configuration" pour afficher l'écran de réglage. Pour plus de détails concernant les réglages, reportez-vous au manuel séparé.**

3.7 Connexion d'autres câbles d'interface

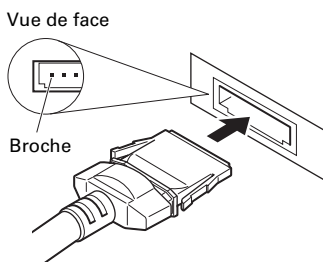
1. Mettez l'appareil hors tension.
2. Orientez correctement le câble d'interface et introduisez-le dans le connecteur d'interface.



Interface parallèle



Interface USB (type à concentrateur)



Interface Powered USB

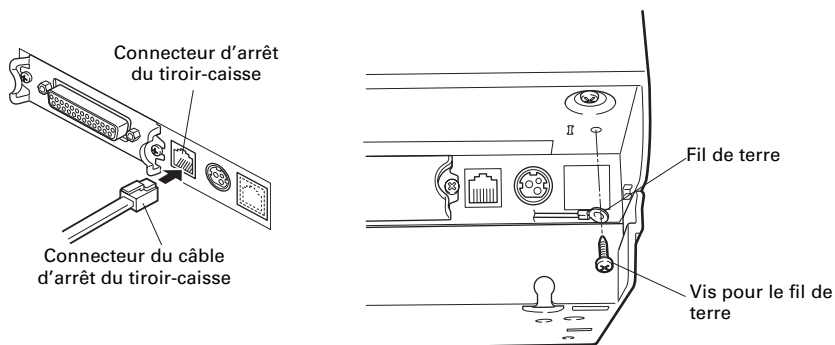


ATTENTION

- **Débranchez toujours l'adaptateur CA de l'imprimante avant de raccorder l'imprimante à une interface Powered USB. Ne pas suivre cette recommandation risque d'endommager l'ordinateur hôte. Pour de plus amples informations concernant l'installation d'une interface Powered USB, contactez votre revendeur de systèmes Citizen.**
- Vérifiez l'orientation du connecteur de câble Powered USB avant de le raccorder. Insérez-le en ligne droite de sorte que les broches ne plient pas. Enfoncez-le jusqu'à entendre un clic.
- En débranchant le câble, tenez toujours le connecteur.
- Faites attention de ne pas insérer le câble d'interface USB dans le connecteur d'arrêt du tiroir-caisse.
- Pour connecter plus d'une imprimante à un seul ordinateur via une interface USB, vous devez changer le numéro de série de l'interface USB.

3.8 Branchement du tiroir-caisse

1. Mettez l'appareil hors tension.
2. Vérifiez l'orientation du connecteur du câble d'arrêt du tiroir-caisse et connectez-le au connecteur d'arrêt du tiroir-caisse à l'arrière de l'imprimante.
3. Retirez la vis pour le fil de terre.
4. Vissez le fil de terre du tiroir-caisse au corps de l'imprimante.

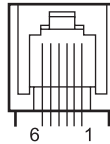


ATTENTION

- Connectez uniquement le connecteur du câble d'arrêt du tiroir-caisse au connecteur d'arrêt du tiroir-caisse. (Ne le connectez pas à une ligne téléphonique.)
- Les signaux ne peuvent pas être sortis par le connecteur d'arrêt du tiroir-caisse pendant une impression.

(1) Configuration des broches du connecteur

N°	Signal	Fonction
1	FG	Terre du cadre
2	DRAWER1	Signal de commande du tiroir-caisse 1
3	DRSW	Entrée du commutateur du tiroir-caisse
4	VDR	Alimentation de commande du tiroir-caisse
5	DRAWER2	Signal de commande du tiroir-caisse 2
6	GND	Terre du signal (terre commune sur les circuits)



Connecteur utilisé:
TM5RJ3-66 (Hirose) ou équivalent
Connecteur utilisable:
TM3P-66P (Hirose) ou équivalent

(2) Caractéristiques électriques

1) Tension de commande: 24 VCC

2) Courant de commande: Environ 1 A max. (ne doit pas excéder 510 ms.)

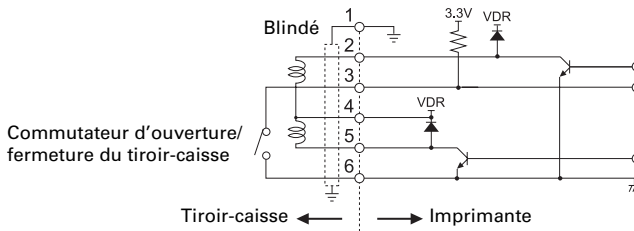
3) Signal DRSW: Niveaux de signal: «L» = 0 à 0,8 V, «H» = 2 à 3,3 V

(3) Signal DRSW

Le statut du signal DRSW peut être testé avec la commande DLE+EOT, GS+a, ou GS+r ou sur la broche 34 du port d'interface parallèle.

(4) Circuit de commande

Connecteur d'arrêt du tiroir-caisse

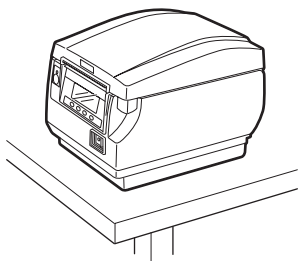


ATTENTION

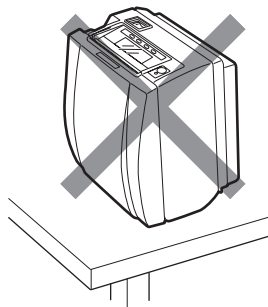
- Les tiroirs-caisse 1 et 2 ne peuvent pas être commandés en même temps.
- Le solénoïde utilisé pour le tiroir-caisse doit être de 24 Ω ou plus. Ne laissez pas le courant électrique dépasser 1 A. Un courant trop élevé peut endommager ou brûler les circuits.

3.9 Précautions pour l'installation de l'imprimante

Cette imprimante peut uniquement être placée horizontalement. Elle ne peut pas être placée verticalement ou sur un mur.



Position horizontale



Position verticale



ATTENTION

N'utilisez pas l'imprimante dans les conditions suivantes.

- Dans des emplacements soumis à des vibrations ou une certaine instabilité.
- Dans des emplacements très sales ou poussiéreux.
- Dans des emplacements où l'imprimante n'est pas de niveau.
- **L'imprimante pourrait tomber et entraîner des blessures.**
- **La qualité de l'impression peut se détériorer.**
- Orientée d'une autre façon que ce qui est spécifié.
- **L'imprimante peut mal fonctionner, être endommagée ou causer un choc électrique.**

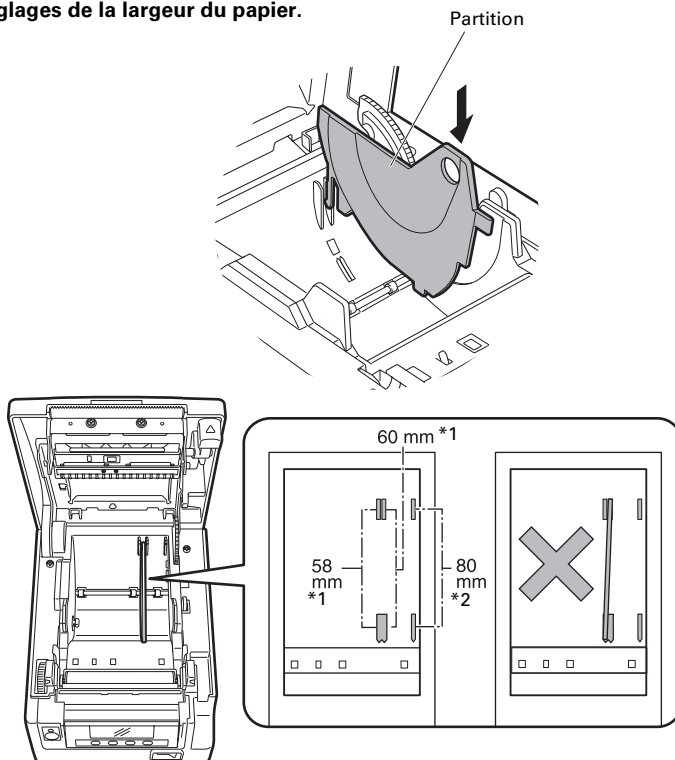
3.10 Partition pour rouleau de papier

Réglez la partition pour la largeur du rouleau de papier que vous chargez.

La partition est réglée à l'usine sur la position montrée ci-dessous.

- Pour le type 3 pouces:rouleau de papier de 80 mm de largeur
- Pour le type 2 pouces:rouleau de papier de 58 mm de largeur
(partition 2 feuilles installée.)

1. Mettez l'appareil hors tension.
2. Appuyez sur la touche d'ouverture du capot pour ouvrir le capot papier.
3. Appuyez dans la position indiquée par la flèche et réglez la partition dans la fente qui correspond à la largeur du rouleau de papier que vous utilisez. Cependant, si vous utilisez un rouleau de papier de 83 mm de largeur, enlevez la partition.
4. Reportez-vous à «5.3 Réglage manuel des commutateurs de mémoire» pour changer les réglages de la largeur du papier.



Remarques:

*1: Type 2 pouces (58/60 mm)

*2: Type 3 pouces (80/83 mm)

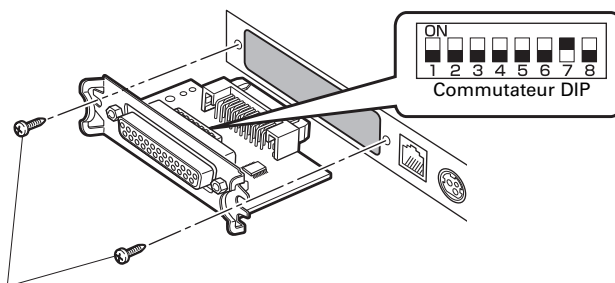


ATTENTION

Assurez-vous que la partition n'est pas penchée lors du réglage pour les rouleaux de papier de 58 mm ou 60 mm.

3.11 Réglage du commutateur DIP sur la carte d'interface série

1. Mettez l'imprimante hors tension et débranchez le cordon d'alimentation de la prise électrique.
2. Retirez la vis de montage de la carte d'interface série.
3. Retirez la carte d'interface série de l'imprimante.
4. Réglez le commutateur DIP en reportant au tableau suivant.



Vis de montage de la carte d'interface série



ATTENTION

Lors du réglage du commutateur DIP, ne retirez aucune autre vis en dehors des vis de montage de la carte d'interface série.

La fonction de chaque commutateur est indiquée ci-dessous. (Les valeurs en gris correspondent aux réglages de l'usine. Cependant, les réglages de l'usine diffèrent en fonction du marché de destination.)

N° du commutateur	Fonction	ON	OFF
1	Réglage de la condition de communication	En fonction des réglage du commutateur DIP	En fonction des réglage du commutateur de mémoire
2	Contrôle de flux	XON/XOFF	DTR/DSR
3	Longueur de bit	7 bits	8 bits
4	Contrôle de parité	Oui	Non
5	Sélection parité	Parité paire	Parité impaire
6	Sélection du taux de baud	Reportez-vous au tableau ci-dessous.	
7			
8	INIT	Réenclenchement	Invalide

Sélection du taux de baud

Taux de baud (bps)	N° du commutateur	
	6	7
2400	OFF	OFF
4800	ON	OFF
9600	OFF	ON
19200	ON	ON

Quand le commutateur n° 1 est réglé sur OFF, vous pouvez utiliser une commande ou un commutateur de mémoire pour choisir 1200, 38400, 57600 ou 115200 bps.

3.12 Réglage du capteur de fin de papier proche

Changez les réglages du capteur de fin de papier proche pour régler la position dans laquelle la proximité de la fin du papier est détectée.

1. Utilisez un objet pointu, tel qu'un stylo, pour appuyez doucement sur la touche pour changer le capteur de fin de papier proche.
2. Maintenez la touche pressée tout en bougeant le capteur de fin de papier proche vers le haut, le bas, la droite et la gauche. Les positions du capteur sont indiquées ci-dessous pour les divers diamètres des rouleaux de papier utilisés.

(Unité: mm)

Position du capteur	Diamètre lors de la détection de la proximité de la fin	Diamètre extérieur du noyau du rouleau de papier utilisé
A	$\phi 31$	$\phi 18$
B*	$\phi 23$	$\phi 18$
C	La fonction du capteur de fin de papier proche est hors service	

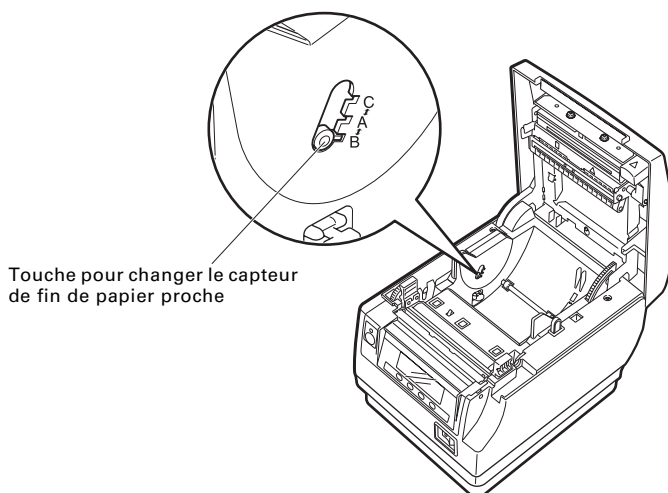
Remarque:

*: Position du capteur à l'expédition de l'usine. Cependant, les réglages de l'usine diffèrent en fonction du marché de destination.



ATTENTION

- La quantité de papier restant sur le rouleau (diamètre du rouleau) dépend du type de papier utilisé.
- Les diamètres des rouleaux de papier indiqués dans le tableau sont des guides.

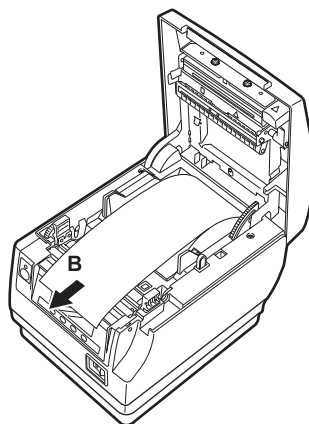
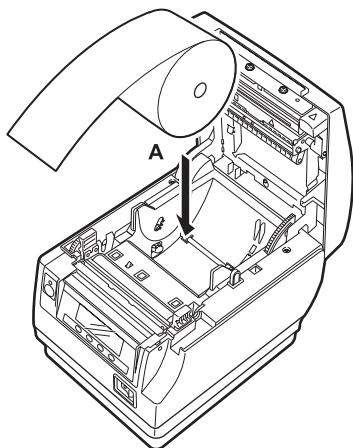
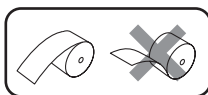


3.13 Chargement du papier

1. Mettez l'appareil sous tension.
2. Appuyez sur la touche d'ouverture du capot pour ouvrir le capot papier.
3. Chargez le rouleau de papier de façon que la face imprimable du papier soit dirigée vers le haut, comme indiqué par la flèche A.
4. Tirez quelques centimètres de papier droit vers l'extérieur dans la direction de la flèche B.
5. Fermez le capot papier jusqu'à entendre un clic. Le papier est avancé et coupé automatiquement (par le réglage d'usine).



Reportez-vous à 5.3 Réglage manuel des commutateurs de mémoire



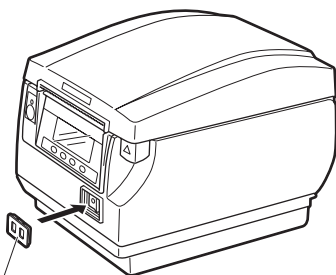
ATTENTION

- Utilisez uniquement les types de rouleaux de papier spécifiés.
- Vérifiez que le rouleau de papier est placé correctement.
- Si le papier est de biais et ne sort pas droit du capot papier, ouvrez ce dernier et remettez le papier droit.
- Tirez toujours quelques centimètres de papier en dehors de l'imprimante si vous ouvrez le capot papier quand du papier est chargé.
- Appuyez sur le centre du capot papier pour le fermer correctement.
- Faites attention aux découpes du papier lors du chargement du papier.
- Ne touchez pas la tête d'impression, le système de découpe manuelle ou le système de découpe automatique pendant que le capot papier est ouvert. Vous pourriez vous brûler ou vous couper.

3.14 Fixation du capot du commutateur d'alimentation

Fixez ce capot pour éviter que le commutateur d'alimentation soit utilisé accidentellement.

1. Poussez le capot du commutateur d'alimentation sur le compartiment du commutateur d'alimentation jusqu'à ce que vous entendiez un déclic.



Capot du commutateur d'alimentation

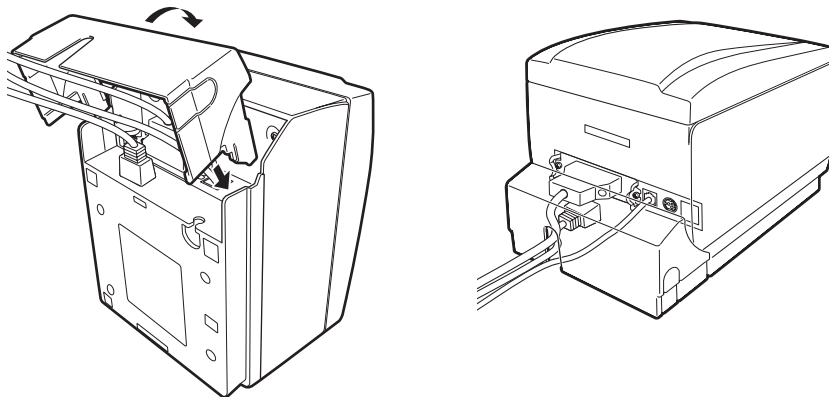
Insérez la lame d'un tournevis ou un autre objet pointu dans les fentes du capot du commutateur d'alimentation pour le retirer.

3.15 Fixation du capot d'interface

Fixez le capot d'interface à l'arrière de l'imprimante.

La forme du capot d'interface est différente en fonction du type de source d'alimentation.

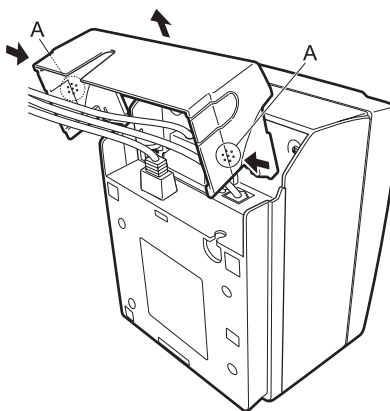
1. Poussez le capot d'interface de la façon montrée sur l'illustration jusqu'à ce que vous entendiez un dé clic.



CT-S851IIS

3.16 Retrait du capot d'interface

Appuyez de chaque côté du capot d'interface aux endroits indiqués par A pour le retirer.



CT-S851IIS

3.17 Site de téléchargement de divers fichiers électroniques

Vous pouvez consulter les informations d'assistance et télécharger les derniers documents, pilotes, utilitaires, etc. à partir du site suivant.

<https://www.citizen-systems.co.jp/en/printer/download/#CT-S851II>

3.18 Précautions pour la création d'applications et les opérations pratiques

Si l'impression est effectuée immédiatement une fois le papier partiellement coupé et arraché, le haut de l'impression suivante risque d'être tordu.

Nous recommandons d'avancer le papier une ligne après la découpe avant l'impression.

Si vous utilisez une interface série dont la vitesse de transmission des données est lente, des traînées peuvent apparaître sur les impressions lors d'impression de graphiques ou de texte gradué ce qui nécessite de grandes quantités de données.

Les interfaces USB peuvent ressentir plus fortement les effets d'interface électromagnétique depuis l'hôte ou l'environnement.

Si tel est le cas, essayez d'utiliser un câble à noyaux en ferrite aux deux extrémités, qui sont très efficaces pour supprimer les IEM.

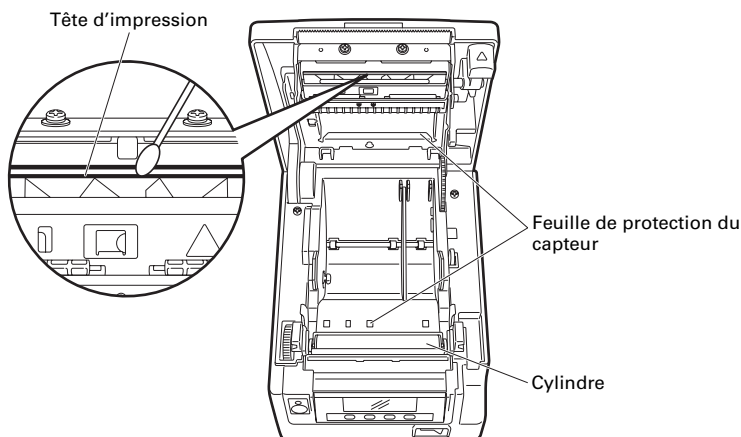
4. ENTRETIEN ET DÉPANNAGE

4.1 Nettoyage périodique

Une tête d'impression ou un cylindre sale peut réduire la qualité de l'impression ou causer des mauvais fonctionnements. De plus, si de la poussière s'accumule sur la feuille de protection du capteur, le papier ne peut pas être détecté correctement. Nous recommandons de nettoyer l'imprimante périodiquement (environ tous les 2 ou 3 mois) comme expliqué ci-dessous.

1. **Mettez l'appareil hors tension.**
2. **Appuyez sur la touche d'ouverture du capot pour ouvrir le capot papier.**
3. **Attendez quelques minutes que la tête d'impression refroidisse.**
4. **Utilisez un coton-tige imprégné d'alcool pour frotter les saletés et la poussière de la tête d'impression et du cylindre.**
5. **Utilisez un coton-tige imprégné d'un peu d'eau pour frotter la feuille de protection du capteur.**

Assurez-vous qu'il n'y a aucune goutte d'eau sur le coton-tige avant de l'utiliser.

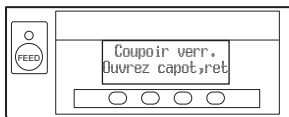


ATTENTION

- La tête d'impression chauffe immédiatement après l'impression. Ne la touchez pas.
- Ne touchez pas la tête d'impression avec les mains nues ou des objets métalliques.
- N'utilisez pas d'alcool ou de diluants pour nettoyer la surface de la feuille de protection du capteur. Cela pourrait voiler la feuille de protection du capteur.
- Des bouts de papier peuvent adhérer au cylindre quand des étiquettes autocollante sont découpées entièrement, en fonction de l'environnement de l'imprimante, du diamètre du rouleau de papier et de la qualité des étiquettes.

4.2 Déverrouillage d'un verrou du système de découpe (1)

Le message «Coupoir verr.» peut apparaître et la lame du système de découpe automatique peut rester étendue à cause d'un objet étranger ou d'un bourrage de papier qui la gêne.



Si «Coupoir verr.» est affiché annulez le verrouillage du système de découpe de la façon indiquée ci-dessous.

1. **Mettez l'appareil sous tension.**
2. **Appuyez sur la touche d'ouverture du capot pour ouvrir le capot papier.**
3. **Retirez le bourrage de papier y compris tous les petits morceaux de papier. (Retirez aussi le rouleau de papier chargé dans le support.)**
4. **Chargez de nouveau le rouleau de papier et fermez le capot papier.**

ATTENTION

- La tête d'impression chauffe immédiatement après l'impression. Ne la touchez pas.
- Ne touchez pas la tête d'impression avec les mains nues ou des objets métalliques.

Après avoir effectué la procédure dans «Déverrouillage d'un verrou du système de découpe (1)», ensuite, après avoir ouvert le capot papier, si la lame du système de découpe automatique est sortie, effectuez la procédure dans «Déverrouillage d'un verrou du système de découpe (2)».



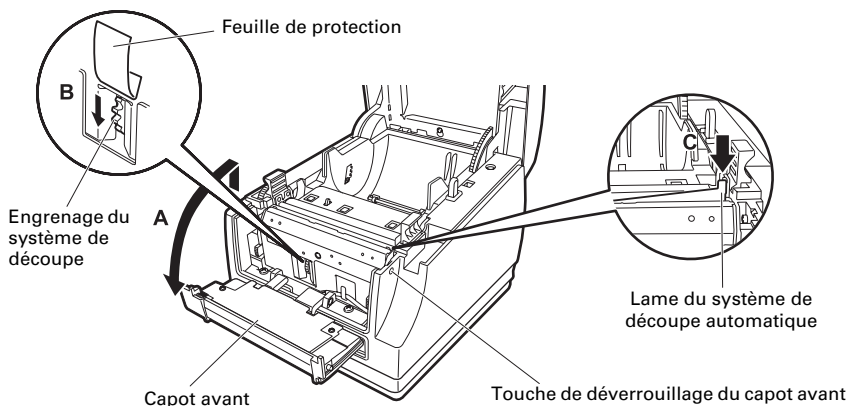
Reportez-vous à 4.3 Déverrouillage d'un verrou du système de découpe (2)

4.3 Déverrouillage d'un verrou du système de découpe (2)

Le capot papier est conçu pour être ouvert en appuyant sur la touche d'ouverture du capot si le système de découpe est verrouillé. Si cela ne permet pas d'ouvrir le capot papier, utilisez la procédure suivante pour déverrouiller le système de découpe verrouillé.

1. **Mettez l'imprimante hors tension et débranchez le cordon d'alimentation de la prise électrique.**
2. **Appuyez sur la touche d'ouverture du capot pour ouvrir le capot papier.**

3. **Tout en appuyant sur la touche de déverrouillage du capot avant à l'aide d'un stylo ou autre chose, faites glisser le capot avant d'environ 10 mm vers le haut.**
4. **Tournez le capot avant vers l'avant dans le sens de la flèche A.**
5. **Soulevez la feuille de protection et tournez l'engrenage du système de découpe dans la direction de la flèche B pour ramener le système de découpe automatique dans une position où le capot papier peut être ouvert.**
 Tournez l'engrenage du système de découpe jusqu'à ce que la lame du système de découpe se rétracte automatiquement dans la direction de la flèche C. Si la lame du système de découpe automatique ne bouge pas quand vous tournez l'engrenage du système de découpe dans la direction de la flèche B, tournez-le dans l'autre direction.
6. **Retirez ce qui cause le verrouillage du système de découpe.**
7. **Fermez le capot avant.**
 Tournez le capot avant dans le sens opposé de la flèche A, ensuite, enfoncez le dessus du capot avant jusqu'à entendre un clic.
8. **Chargez le rouleau de papier et fermez le capot papier.**
9. **Insérez la fiche du cordon d'alimentation dans une prise électrique et mettez l'appareil sous tension.**
 Vérifiez que la DEL est allumée en vert.



ATTENTION

- Avant de démarrer le travail de maintenance, assurez-vous de mettre l'imprimante hors tension et de débrancher le cordon d'alimentation de la prise électrique.
- Faites attention de ne pas toucher le système de découpe manuelle pendant que le capot avant est ouvert.
- Faites attention de ne pas toucher le système de découpe automatique pendant que le capot papier est ouvert.
- La tête d'impression chauffe immédiatement après l'impression. Ne la touchez pas.
- Ne touchez pas la tête d'impression avec les mains nues ou des objets métalliques.
- Si la procédure ci-dessus ne permet pas de rétracter le système de découpe automatique, veuillez contacter votre fournisseur Citizen Systems.

4.4 Mode de test du fonctionnement

Maintenez pressée la touche 1 tout en mettant l'imprimante sous tension pour accéder au mode de test du fonctionnement.

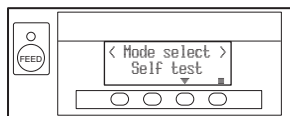
Utilisez la touche 3 (▼) pour choisir une fonction, utilisez la touche 4 (■) pour exécuter la fonction.

Sauf pour le test automatique et l'impression des réglages du commutateur de mémoire, toutes les fonctions sont uniquement pour le personnel de service. N'utilisez pas ces fonctions.

Test automatique

1. Pendant que du papier est chargé, maintenez pressée la touche 1 tout en mettant l'imprimante sous tension.

Le mode de test du fonctionnement démarre et «Self test» apparaît sur le LCD.



2. Appuyez sur la touche 4 (■).

Le test automatique démarre. L'imprimante imprime son nom de modèle, la version, le réglage des commutateurs DIP, le réglage du commutateur de mémoire et la liste des polices intégrées.

```

CT-S851II
XXXX-XXXX
20XX-XX-XX
PROG : BOT-XXX.XXX
PRGA : TTF-XXX.XXX
FONT : ANK-XXX.XXX
FONT : XXX-XXX.XXX
CONF : XXX-XX-X
SUM : XXXX-XXXX
Interface Type
USB or Serial
Serial Interface
Baud rate : 9600 bps
Data bit : 8 bits
Parity : None
Handshaking : DTR/DSR
Buffer Size
4K Bytes
    
```

Version du programme

Interface

État de la communication
sérielle
(Modèles à interface USB
ou série uniquement)

Taille de tampon

Dip switches									
	DS1	1	2	3	4	5	6	7	8
ON									
OFF		0	0	0	0	0	0	0	0
Memory switches									
	SW1	1	2	3	4	5	6	7	8
ON									
OFF		0	0	0	0	0	0	0	0
	SW2	1	2	3	4	5	6	7	8
ON									
OFF		0	0	0	0	0	0	0	0
	SW3	1	2	3	4	5	6	7	8
ON									
OFF		0	0	0	0	0	0	0	0
	SW4	1	2	3	4	5	6	7	8
ON									
OFF		0	0	0	0	0	0	0	0

Réglage du
commutateur
DIP*

(Modèles à
interface USB ou
série uniquement)

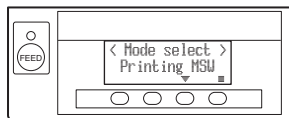
Réglage du
commutateur
de mémoire

Remarque:

*: Les imprimantes munies d'une interface USB n'ont pas de commutateur DIP, les commutateurs DIP apparaissent donc tous éteints sur l'impression du test automatique.

Impression des réglages du commutateur de mémoire

1. Pendant que du papier est chargé, maintenez pressée la touche 1 tout en mettant l'imprimante sous tension.
Le mode de test du fonctionnement démarre et «Self test» apparaît sur le LCD.
2. Appuyez sur la touche 3 (▼).
«Printing MSW» apparaît sur le LCD.
3. Appuyez sur la touche 4 (■).
Une liste des réglages actuels du commutateur de mémoire est imprimée.



Le mode de test du fonctionnement possède les sous-modes suivants.

Fonction	Description
Self test	Exécute le test automatique.
Printing MSW	Imprime les réglages du commutateur de mémoire.
Quick Setting *	Règles les commutateurs de mémoire pour être compatible avec les modèles spécifiques.

Remarque:

*: Les commutateurs de mémoire sont réglés sur les réglages optimum en sélectionnant le fabricant et le modèle de l'imprimante de remplacement.

Élément sélectionné

Manufacturer	Model	Paper width	Character space
CITIZEN	CBM1000	58 mm	—
		80 mm	—
	CT-S300	58 mm	—
		80 mm	—
	CT-S2000	58 mm	—
		60 mm	—
		80 mm	—
		83 mm	—
EPSON	T88	58 mm	0dot
			1dot
		80 mm	0dot
			1dot
	203dpi	58 mm	—
		60 mm	—
80 mm	—		

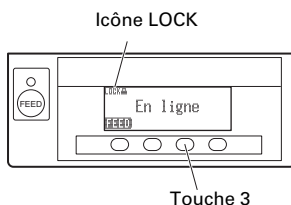


Réglages automatiques du commutateur de mémoire

MSW2-4 Full Col Print	MSW3-7 CBM1000 Mode	MSW8-1 Print Width	MSW6-2 Character Space
LineFeed	Valid	432dots	—
LineFeed	Valid	576dots	—
WaitData	Invalid	384dots	—
WaitData	Invalid	576dots	—
LineFeed	Valid	432dots	—
LineFeed	Valid	436dots	—
LineFeed	Valid	576dots	—
LineFeed	Valid	640dots	—
WaitData	Invalid	360dots	0dot
WaitData	Invalid	390dots	1dot
WaitData	Invalid	512dots	0dot
WaitData	Invalid	546dots	1dot
WaitData	Invalid	420dots	—
WaitData	Invalid	436dots	—
WaitData	Invalid	576dots	—

4.5 Fonction verrouillage des touches

Maintenez pressée la touche MENU alors que l'imprimante fonctionne afin de pouvoir changer les réglages du commutateur de mémoire.
Activez le verrouillage des touches pour éviter tout changement par erreur.



Réglage du verrouillage des touches

Pour régler le verrouillage des touches, maintenez pressée la touche 3 (pendant au moins trois secondes).

MENU disparaît, et l'icône LOCK s'affiche.

Dans cette condition, il est impossible d'entrer en mode de réglage du commutateur de mémoire même si vous maintenez pressée la touche MENU.

Débloquer le verrouillage des touches

Pour débloquer le verrouillage des touches, maintenez pressée la touche 3 (pendant au moins trois secondes).

L'icône LOCK disparaît, ensuite MENU apparaît.

4.6 Impression hexadécimale avec vidage de la mémoire

Imprimez les données reçues en hexadécimal. Si des problèmes tels que des données manquantes, des duplications de données se produisent, cette fonction permet de vérifier si l'imprimante reçoit ou non les données correctement.

Comment réaliser l'impression hexadécimale avec vidage de la mémoire

1. Chargez le papier.
2. Pendant que le capot papier est ouvert, maintenez pressée la touche 1 tout en mettant l'imprimante sous tension, puis fermez le capot papier.
Entrez en mode d'impression hexadécimale avec vidage de la mémoire.
3. L'imprimante imprime tout d'abord «HEX dump print mode», et elle imprime ensuite toutes les données envoyées en mode hexadécimal.

Comment arrêter l'impression hexadécimale avec vidage de la mémoire

Réalisez une des choses suivantes pour arrêter l'impression.

- Appuyez trois fois à suivre sur la touche 1
- Mettez l'appareil hors tension
- Recevez une commande de réinitialisation d'une interface



ATTENTION

- S'il n'y a pas de caractère disponible pour correspondre aux données reçues, « . » est imprimé à la place du caractère.
- Aucune commande ne fonctionne pendant l'impression hexadécimale avec vidage de la mémoire.
- Si les données imprimées ne couvrent pas une ligne complète, appuyez sur la touche 1 pour faire avancer le papier.

Exemple d'impression

HEX dump print mode

```
61 62 63 64 65 66 67 0A 0D 0D 0D 0D abcdefg.....  
0D 0D 0D .....  
.....
```

4.7 Messages d'erreur

- Pas de papier

La fin du rouleau de papier a été détectée à deux niveaux, fin de papier proche et fin de papier.

Quand la proximité de la fin du papier est détectée, «PAPER LOW» apparaît sur le LCD et la DEL s'allume en orange. Préparez un nouveau rouleau de papier.

Quand la fin du papier est détectée, «Pas de papier» apparaît sur le LCD et la DEL s'allume en rouge. Chargez un nouveau rouleau de papier.

- Capot pap. ouv.

N'ouvrez pas le capot papier pendant l'impression. Si le capot papier est ouvert, la DEL et le LCD s'allument en rouge. Vérifiez le papier et tirez toujours quelques centimètres de papier en dehors de l'imprimante avant de refermer le capot papier. L'impression reprend. L'envoi d'une commande de reprise de l'impression peut être nécessaire selon le réglage du commutateur de mémoire.

- Coupoir verr.

Si le système de découpe automatique ne peut pas bouger à cause d'un bourrage de papier ou d'autre chose, la DEL et le LCD s'allument en rouge. Éliminez la cause du problème et appuyez sur la touche 1 (FEED). Si le système de découpe automatique ne fonctionne toujours pas et que le capot papier ne s'ouvre pas, reportez-vous à «4.3 Déverrouillage d'un verrou du système de découpe (2)».



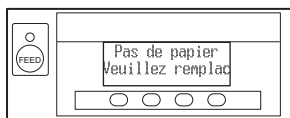
Reportez-vous à 4.3 Déverrouillage d'un verrou du système de découpe (2)

- Surchauffe tête

Quand vous imprimez des caractères denses, des images sombres, ou pendant une longue durée dans un environnement chaud, la température de la tête d'impression augmente. Si la tête d'impression dépasse une température spécifiée, l'imprimante s'arrête d'imprimer et attend que la tête d'impression refroidisse. Quand cela se produit, la DEL et le LCD s'allument en orange. L'impression reprend automatiquement quand la tête d'impression a refroidi.

La situation pendant diverses erreurs est montrée ci-dessous.

La ligne supérieure du LCD indique le type de l'erreur et la ligne inférieure indique le remède. Faites défiler les messages composés de plus de 16 caractères.



État	Message	DEL	Rétroéclairage	Signal sonore*2
Fin de papier proche	PAPER LOW	Orange	—	Non
Fin de papier	Pas de papier Veuillez remplacer le papier.	Rouge	Rouge	Oui
Capot avant est ouvert	Capot avant ouv. Veuillez fermer capot avant.	Rouge	—	Non
Capot papier est ouvert	Capot pap. ouv. Veuillez fermer capot papier.	Rouge	—	Non
Système de découpe verrouillé	Coupoir verr. Ouvrez capot, retirez bourrage.	Rouge	Rouge	Oui
Erreur de marque noire	Err. marq. noire Vérifier papier	Rouge	Rouge	Oui
Tête d'impression chaude	Surchauffe tête Veuillez patienter, en progrès.	Orange	—	Non
Erreur mémoire	Erreur mémoire	Rouge	—	Oui
Erreur système	Erreur système Veuillez contacter revendeur.	Rouge	Rouge	Non
Erreur de tête d'impression	Erreur tête Veuillez contacter revendeur.	Rouge	Rouge	Oui
Erreur de moteur	Erreur de moteur Veuillez contacter revendeur.	Rouge	Rouge	Oui
Erreur de basse tension	Err. bas. tens. Veuillez contacter revendeur.	Rouge	Rouge	Oui
Erreur de haute tension	Err. haute tens. Veuillez contacter revendeur.	Rouge	Rouge	Oui
Erreur de tension du tiroir-caisse	Erreur plateau Veuillez contacter revendeur.	Rouge	Rouge	Oui
Attente d'exécution d'une macro *1	App. sur touche -> Exécution macro	Clignotement en vert	—	Non

Remarques:

*1: La DEL peut s'allumer pendant l'exécution d'une macro.

*2: Le signal sonore retentit quand MSW5-1 (réglage du signal sonore) est réglé sur ON. Néanmoins, remarquez que certaines combinaisons de réglages de MSW5-1 et de MSW10-5 risque de changer la condition dans laquelle le signal sonore retentit.

4.8 Bourrages papier

Veillez à éviter de boucher la sortie du papier et le bourrage papier autour de la sortie pendant l'impression.

Si le papier ne peut pas sortir de l'imprimante, il risque de s'enrouler autour du cylindre et de provoquer une erreur.

Si le papier s'enroule autour du cylindre, ouvrez le capot papier et retirez doucement le papier.

4.9 Précautions de fonctionnement de l'interface série

Tout en utilisant l'interface série, certaines conditions d'impression peuvent provoquer des bandes blanches au niveau des impressions et des dysfonctionnements d'alimentation. Pour éviter ces problèmes, modifiez les réglages du commutateur de mémoire comme indiqué ci-dessous.

1. **Modifiez MSW7-1 (taux de baud série) pour un réglage de taux de baud plus rapide.**
2. **Définissez MSW10-2 (vitesse d'impression) à un niveau plus bas.**



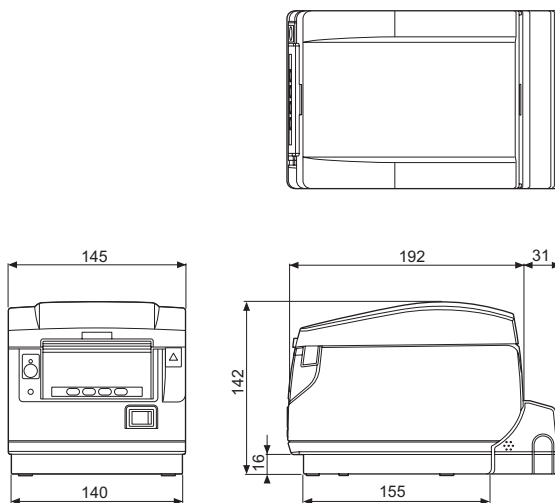
ATTENTION

En fonction de la vitesse de transmission d'interface série, de la température ambiante, des fonctions de données d'impression et autres facteurs, modifier ces réglages risquent de ne pas éliminer les problèmes.

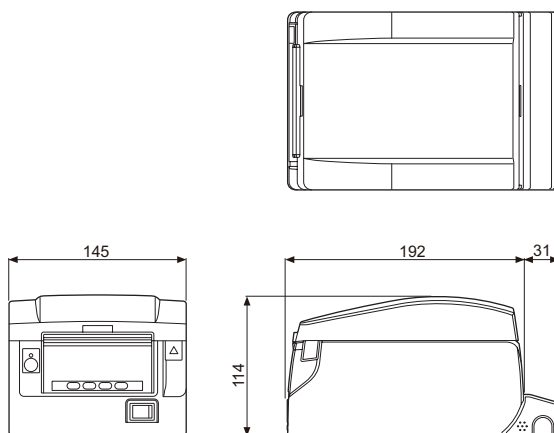
5. DIVERS

5.1 Vues et dimensions externes

(Unité: mm)



Type à alimentation intégrée



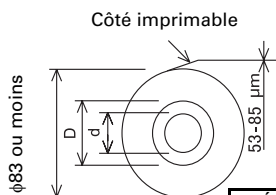
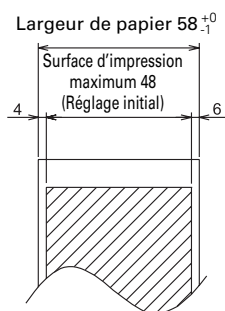
Type à adaptateur CA

5.2 Papier d'impression

Utilisez le papier indiqué dans le tableau suivant ou un papier de qualité équivalente.

Type de papier	Nom du produit
Papier thermosensible en rouleau recommandé	TF50KS-E2D, TF50KS-E ou TF60KS-E de Nippon Paper PD150R ou PD160R de Ohji Paper P220AG, HP220A, HP220AB-1, F230AA, P220AB ou PB670 (papier 2 couleurs) de Mitsubishi Paper

(Unité: mm)



Épaisseur du papier (μm)	53-75	75-85
Diamètre intérieur du noyau d (mm)	$\phi 12$	$\phi 25,4$
Diamètre extérieur du noyau D (mm)	$\phi 18$	$\phi 32$



ATTENTION

Utilisez un papier qui est enroulé de la façon suivante:

- Non froissé et bien serré sur le noyau.
- Non plié.
- Non collé au noyau.
- Enroulé avec la face imprimable vers l'extérieur.

5.3 Réglage manuel des commutateurs de mémoire

Les commutateurs de mémoire sont utilisés pour effectuer divers réglages de l'imprimante. Les commutateurs de mémoire peuvent être réglés manuellement (directement sur l'imprimante) ou par des commandes. Cette section explique comment réaliser des réglages manuels.

Les réglages du commutateur de mémoire sont réalisés en mode de réglage du commutateur de mémoire ou en mode de réglage du commutateur DIP virtuel. En mode de réglage du commutateur de mémoire, vous pouvez régler les valeurs pour MSW1 à MSW13. En mode de réglage du commutateur DIP virtuel, vous pouvez régler les valeurs pour MSW1 à MSW6.

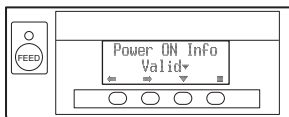
Pour en savoir plus sur le réglage des commutateurs de mémoire, veuillez vous reporter à la Référence des commandes.

Description de la procédure

1. Entrez en mode de réglage du commutateur de mémoire ou en mode de réglage de commutateur DIP virtuel.
2. Changez les réglages qui doivent être changés.
3. Allez au menu d'enregistrement des réglages.
4. Enregistrez les réglages.

Mode de réglage du commutateur de mémoire

Pendant que «En ligne» est affiché, maintenez pressée la touche 4 (MENU) pendant au moins deux secondes. Ou, pendant que du papier est chargé, maintenez pressée la touche 3 tout en mettant l'imprimante sous tension. Entrez en mode de réglage du commutateur de mémoire.



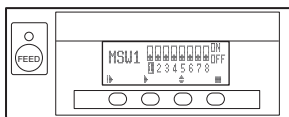
- Appuyez sur la touche 1 (◀) ou la touche 2 (▶) pour choisir les éléments à régler.
- Appuyez sur la touche 3 (▼) pour choisir une valeur pour l'élément choisi.
- Appuyez sur la touche 4 (■) pour aller au menu d'enregistrement des réglages.
- **Pour régler tous les commutateurs de mémoire aux réglages de l'usine:**
Appuyez sur la touche 1 jusqu'à ce que «Factory Setting /Set» apparaisse (après MSW13-6).

Maintenez pressée la touche 4 pendant au moins deux secondes. Tous les commutateurs de mémoire changent aux réglages de l'usine.

Mode de réglage de commutateur DIP virtuel

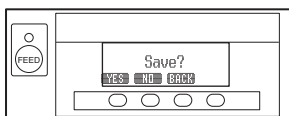
Pendant que du papier est chargé, maintenez pressée la touche 2 tout en mettant l'imprimante sous tension.

Entrez en mode de réglage de commutateur DIP virtuel.



- Appuyez sur la touche 1 (▶) pour choisir un numéro de commutateur de mémoire. (Commute le cycle dans l'ordre suivant: MSW1 → MSW2 → ... → MSW6 → MSW1)
- Appuyez sur la touche 2 (▶) pour aller du commutateur 1 vers le commutateur 8. (La sélection revient de 8 à 1.)
- Appuyez sur la touche 3 (◄) pour choisir ON et OFF.
- Appuyez sur la touche 4 (■) pour aller au menu d'enregistrement des réglages.

Menu d'enregistrement des réglages



- Appuyez sur la touche 1 (YES) pour enregistrer les réglages et retourner à l'affichage «En ligne».
- Appuyez sur la touche 2 (NO) pour ne pas enregistrer les réglages et retourner à l'affichage «En ligne».
- Appuyez sur la touche 3 (BACK) pour retourner au mode précédent.

La fonction de chaque commutateur de mémoire est indiquée dans le tableau suivant. (Les valeurs en gris correspondent aux réglages de l'usine.)

N° du commutateur	Fonction	OFF	ON
MSW1-1	Power ON Info	Valid	Not Send
MSW1-2	Buffer Size	4K bytes	45 bytes
MSW1-3	Busy Condition	Full/Err	Full
MSW1-4	Receive Error	Print"?"	No Print
MSW1-5	CR Mode	Ignored	LF
MSW1-6	Reserved	Fixed	—
MSW1-7	DSR Signal	Invalid	Valid
MSW1-8	Init Signal	Invalid	Valid
MSW2-1	Reserved	—	Fixed
MSW2-2	Auto Cutter	Invalid	Valid
*1 MSW2-3	Spool Print	Invalid	Valid
MSW2-4	Full Col Print	LineFeed	WaitData
MSW2-5	Resume aft PE	Next	Top
MSW2-6	Reserved	Fixed	—
MSW2-7	Reserved	Fixed	—
MSW2-8	PNE Sensor	Valid	Invalid
MSW3-1	Resume Ctrr Err	Valid	Invalid
MSW3-2	PE signal by PNE	Valid	Invalid
MSW3-3	Parallel 31 Pin	Valid	Invalid
MSW3-4	Reserved	Fixed	—
MSW3-5	Reserved	Fixed	—
MSW3-6	Reserved	Fixed	—
MSW3-7	CBM1000 Mode	Invalid	Valid
MSW3-8	Resume Open Err	Close	Command
MSW4-1	Reserved	Fixed	—
*2 MSW4-1	P.Length Set	Auto Measure	Command
MSW4-2	Reserved	Fixed	—
*2 MSW4-2	Power on TOF	Invalid	Valid
MSW4-3	Feed&Cut at TOF	Invalid	Valid
*2 MSW4-3	Feed&Cut at TOF	Invalid	Valid
MSW4-4	Reserved	Fixed	—
*2 MSW4-4	Paper Select	Thermal Roll	BM P/Lbl P
MSW4-5	Reserved	Fixed	—
*2 MSW4-5	Position Detect	Black Mark	Label
MSW4-6	Reserved	Fixed	—
*2 MSW4-6	Measure at Close	Invalid	Valid
MSW4-7	Reserved	Fixed	—
MSW4-8	Partial Only	Invalid	Valid
MSW5-1	Buzzer	Valid	Invalid

N° du commutateur	Fonction	OFF	ON
MSW5-2	Line Pitch	1/360	1/406
MSW5-3	USB Mode	Virtual COM	Printer Class
MSW5-4	Reserved	Fixed	—
MSW5-5	Gradation Quality	Quality	Speed
MSW5-6	Reserved	Fixed	—
MSW5-7	Reserved	Fixed	—
MSW5-8	Reserved	Fixed	—
MSW6-1	Act. For Driver	Invalid	Valid
MSW6-2	Character Space	Invalid	Valid
MSW6-3	USB Power Save	Invalid	Valid
MSW6-4	Reserved	Fixed	—
MSW6-5	Reserved	Fixed	—
MSW6-6	Reserved	Fixed	—
MSW6-7	Reserved	Fixed	—
MSW6-8	Reserved	Fixed	—

N° du commutateur	Fonction	Réglage initial	Valeur réglée
*3 MSW7-1	Baud Rate	9600 bps	1200 bps, 2400 bps, 4800 bps, 9600 bps, 19200 bps, 38400 bps, 57600 bps, 115200 bps
*3 MSW7-2	Data Length	8bits	7bits, 8bits
MSW7-3	Stop Bit	1bit	1bit, 2bits
*3 MSW7-4	Parity	NONE	NONE, EVEN, ODD
*3 MSW7-5	Flow Control	DTR/DSR	DTR/DSR, XON/XOFF
MSW7-6	DMA Control	Valid	Valid, Invalid
MSW7-7	VCom Protocol	PC Setting	PC Setting, DTR/DSR, XON/XOFF
MSW8-1	Print Width	576dots	640 dots, 576 dots, 546 dots, 512 dots, 436 dots, 432 dots, 420 dots, 390 dots, 384 dots, 360 dots
MSW8-2	Paper Type	1 Color Normal	1 Color Normal, 2 Color Normal
MSW8-3	Top Margin	11mm	3mm, 4mm, 5mm, 6mm, 7mm, 8mm, 9mm, 10mm, 11mm
MSW8-4	Line Gap Reduce	Invalid	Invalid, 3/4, 2/3, 1/2, 1/3, 1/4, 1/5, ALL
MSW8-5	Reduced Char V/H	100% / 100%	100% / 100%, 75% / 100%, 50% / 100%, 100% / 75%, 75% / 75%, 50% / 75%
MSW8-6	Auto Side Shift	Invalid	Invalid, 1 dots, 2 dots, 3 dots, 4 dots, 5 dots, 6 dots, 7 dots
MSW8-7	Liner Free Mode	Invalid	Invalid, 1h, 6h, 12h, 18h, 24h, 5m, 10m, 15m, 20m, 30m
MSW9-1	Code Page	PC 437	PC 437, Katakana, PC 850, PC 858, PC 860, PC 863, PC 865, PC 852, PC 866, PC 857, WPC1252, Space page, PC 864, ThaiCode11 1Pass, ThaiCode11 3Pass, ThaiCode18 1Pass, ThaiCode18 3Pass, TCVN-3

N° du commutateur	Fonction	Réglage initial	Valeur réglée
MSW9-2	Int'Char Set	USA	USA, France, Germany, England, Denmark, Sweden, Italy, Spain, Japan, Norway, Denmark 2, Spain 2, Latin America, Korea, Croatia, China, Vietnam
MSW9-4	Multi-byte Char	Invalid	JIS(JPN), SJIS:CP932 (JPN), SJIS:X0213(JPN), GB18030(CHN), KS Hangul(KOR), EUC Hangul(KOR), BIG5(TWN), Invalid
MSW9-6	LCD Language	English	English, Français, Deutsch, Italiano, Español, Japanese, Chinese
MSW9-7	LCD Ext. Char	Valid	Invalid, Valid
MSW9-8	LCD Auto Off	Never	Never, 30seconds, 5minutes
MSW10-1	Print Density	100 %	70 %, 75 %, 80 %, 85 %, 90 %, 95 %, 100 %, 105 %, 110 %, 115 %, 120 %, 125 %, 130 %, 135 %, 140 %
MSW10-2	Print Speed	Level 9	Level 1, Level 2, Level 3, Level 4, Level 5, Level 6, Level 7, Level 8, Level 9
MSW10-3	ACK Timing	Before Busy	Before Busy, Same Period, After Busy
MSW10-4	Old Command	Invalid	Invalid, CBM1, CBM2
MSW10-5	Buzzer Event	Not by C.Open	All Event/Error, Not by C.Open, Not by C.Open/PE
MSW10-6	Buzzer Sound	Tone 2	Tone 1, Tone 2, Tone 3, Tone 4
MSW10-7	Key Lock	Invalid	Invalid, Valid
MSW10-8	LCD Direction	Normal	Normal, Inverted
MSW13-1	Security/Target	Low/All	Low/All, Mid/All, Mid/Paired only, Hi/All, Hi/Paired only
MSW13-5	BT Device Scan	Discoverable	No Response, Discoverable
MSW13-6	Auto Reconnect	Valid	Invalid, Valid

Remarques:

*1: Si les données d'impression sont très denses, la tête d'impression est chaude, la transmission des données est lente, ou dans certaines autres conditions, le moteur et l'impression peuvent s'arrêter occasionnellement et cela peut causer des bandes blanches dans l'impression. Pour imprimer des données très denses, réglez MSW2-3 (Spool Print) sur ON pour réduire le problème de bandes, même si cela augmente le temps avant que l'impression commence.

Pour une interface série, augmentez la vitesse de transmission pour éviter que le moteur s'arrête.

*2: Modèle à marquee noire

*3: Les valeurs pour les commutateurs de mémoire MSW7-X sont uniquement en vigueur lorsque le commutateur DIP n° 1 est réglé sur OFF.

DEUTSCH

ALLGEMEINE VORSICHTSMASSNAHMEN

- Lesen Sie sich das vorliegende Benutzerhandbuch sorgfältig durch, bevor Sie das Gerät verwenden. Verwahren Sie es danach an einem sicheren, leicht zugänglichen Ort, um bei Bedarf darauf zurückgreifen zu können.
- Der Hersteller behält sich vor, die hierin enthaltenen Informationen ohne vorherige Ankündigung zu ändern.
- Jegliche Reproduktion und Weitergabe von Teilen oder der Gesamtheit des Dokuments ohne vorherige Genehmigung von Citizen Systems ist untersagt.
- Beachten Sie, dass Citizen Systems jegliche Haftung für Folgen aus dem Betrieb des Geräts unabhängig von im vorliegenden Handbuch enthaltenen Auslassungen, Fehlern oder Druckfehlern ausschließt.
- Beachten Sie, dass Citizen Systems keine Haftung für jegliche Störungen übernimmt, die infolge der Verwendung von in diesem Handbuch nicht autorisierten Zubehörteilen oder Verbrauchsmaterialien entstehen.
- Mit Ausnahme der in diesem Handbuch genannten Fälle darf das Gerät nicht selbst gewartet, zerlegt oder repariert werden.
- Beachten Sie, dass Citizen Systems keine Haftung für jegliche Störungen übernimmt, die infolge von unsachgemäßer Verwendung oder nicht geeigneter Betriebsumgebungen auftreten, auch wenn in diesem Handbuch nicht darauf hingewiesen wird.
- Daten sind im Allgemeinen für temporären Gebrauch und gespeichert nicht während eines ausgedehnten Zeitabschnitts oder dauerhaft. Beachten Sie, dass Citizen Systems jegliche Haftung für Schäden oder entgangene Verluste ausschließt, die aus Datenverlusten infolge von unvoresehenen Ereignissen, Reparaturen, Tests oder sonstigen Umständen entstehen.
- Wenn Ihnen Auslassungen oder Fehler auffallen oder Sie Fragen haben, wenden Sie sich an Ihren Citizen Systems-Händler.
- Wenn Ihnen fehlende oder falsch sortierte Seiten auffallen, wenden Sie sich zwecks Ersatz an Ihren Citizen Systems-Händler.

Authorisierte Repräsentanz in Europa: Citizen Systems Europe GmbH

Mettinger Strasse 11
D-73728 Esslingen
Germany

Maschinenlärminformations-Verordnung - 3. GPSGV, der höchste Schalldruckpegel beträgt 70 dB(A) gemäss EN ISO 7779
Das Gerät ist nicht für die Benutzung am Bildschirmarbeitsplatz gemäss BildschirmV vorgesehen.

Die Verwendung der „Made for Apple“-Plakette bedeutet, dass ein Zubehör spezifisch für die auf der Plakette angegebenen Apple-Produkte ausgelegt ist und vom Entwickler als die Apple-Leistungsstandards erfüllend zertifiziert wurde. Apple ist nicht für den Betrieb dieses Geräts oder seine Konformität mit Sicherheits- und gesetzlichen Standards verantwortlich.

Beachten Sie bitte, dass die Verwendung dieses Zubehörs mit einem Apple-Produkt die Wireless-Leistung beeinträchtigen könnte.

- Apple, Apple TV, Apple Watch, iPad, iPad Air, iPad Pro, iPhone, and Lightning are trademarks of Apple Inc., registered in the U.S. and other countries. tvOS is a trademark of Apple Inc. The trademark “iPhone” is used in Japan with a license from Aiphone K.K.
- EPSON and ESC/POS are registered trademarks of Seiko Epson Corporation.
- QR Code is a registered trademark of DENSO WAVE INCORPORATED.
- Ethernet is a registered trademark of Fuji Xerox Corporation.
- Bluetooth® is a registered trademark of Bluetooth-SIG Inc.
- CITIZEN is a registered trademark of Citizen Watch Co., Ltd. Japan
- All other trademarks are the property of their respective owners.
- Citizen Systems use these trademarks in accordance with the license of relevant owners.

Copyright ©2019 by CITIZEN SYSTEMS JAPAN CO., LTD.

SICHERHEITSMASSNAHMEN ...DIE SIE STRIKT EINHALTEN MÜSSEN

Lesen Sie sich vor der erstmaligen Verwendung des Produkts die SICHERHEITSMASSNAHMEN sorgfältig durch.

Falsche Handhabung kann zu Unfällen führen (Brände, elektrische Schläge oder Verletzungen). Um Verletzungen von Benutzern und Dritten sowie materielle Schäden zu vermeiden, werden im Handbuch spezielle Warnsymbole verwendet, die auf wichtige Informationen hinweisen.

- Bewahren Sie das Handbuch danach an einem sicheren, leicht zugänglichen Ort auf, um bei Bedarf darauf zurückgreifen zu können.
- Einige der im Handbuch enthaltenen Beschreibungen sind möglicherweise für Ihr Druckermodell nicht von Bedeutung.

Nachstehend wird der Grad der Gefahren und Schäden beschrieben, die bei unsachgemäßem Betrieb des Druckers oder Nichtbeachtung der durch die Warnsymbole gekennzeichneten Hinweise entstehen können.



WARNHINWEIS

Bei Nichtbeachtung derartig gekennzeichneteter Informationen kann es zu schweren oder tödlichen Verletzungen kommen.



VORSICHT

Die Nichtbeachtung von mit diesem Symbol gekennzeichneten Informationen kann zu Verletzungen oder materiellen Schäden führen.



Dieses Symbol wird verwendet, um Sie auf wichtige Informationen aufmerksam zu machen.



Dieses Symbol weist auf Gefahren durch elektrische Schläge und mögliche Schäden durch statische Elektrizität hin.



Dieses Symbol weist darauf hin, dass der Netzstecker des Geräts zu ziehen ist.



Dieses Symbol weist darauf hin, dass die Spannungsversorgung geerdet sein muss.



Dieses Symbol wird verwendet, um nützliche Informationen, wie Verfahren oder Anweisungen zur Benutzung hervorzuheben.



Dieses Symbol dient zur Warnung vor unzulässigen Eingriffen.

VORSICHTSMASSNAHMEN BEI AUFSTELLEN DES DRUCKERS

WARNHINWEIS

■ Verwenden und lagern Sie das Gerät nicht an Orten, an denen es folgenden Einflüssen ausgesetzt ist:

- * Flammen oder hohe Luftfeuchtigkeit.
- * Direkte Sonneneinstrahlung.
- * Heißluftströme oder Abwärme von Heizgeräten.
- * Salzige Luft oder korrosive Gase.
- * Unzureichende Belüftung.
- * Chemische Reaktionen in Laboren.
- * Ölnebel, Stahlpartikel oder Staub.
- * Statische Elektrizität oder starke Magnetfelder.



• **Die Nichtbeachtung dieser Warnhinweise kann zu Ausfällen des Druckers, Überhitzung sowie Rauch, Feuer oder elektrischen Schlägen führen.**

■ Keine Gegenstände in den Drucker einführen. Keine Flüssigkeiten in den Drucker spritzen. Keine Gegenstände auf dem Drucker ablegen.

■ Lassen Sie keine Metallgegenstände wie Büroklammern, Heftklammern oder Schrauben in den Drucker fallen.

■ Stellen Sie keine Blumenvasen, Töpfe oder sonstige Behälter mit Flüssigkeiten auf dem Drucker ab.

■ Achten Sie darauf, dass keine Getränke oder sonstigen Flüssigkeiten in den Drucker geraten.

■ Keine Insektenvertilgungsmittel oder sonstige Chemikalien auf den Drucker sprühen.

• **Wenn metallische Fremdkörper in den Drucker fallen, kann dies einen Ausfall des Druckers, Feuer oder Stromschläge verursachen. In derartigen Fällen ist der Drucker sofort abzuschalten und vom Netz zu trennen. Wenden Sie sich an Ihren örtlichen Citizen Systems-Händler.**



Gehen Sie stets sachgemäß mit dem Drucker um:

■ Setzen Sie den Drucker keinen heftigen Stößen oder starken Erschütterungen aus (z. B. durch Darauftreten, Fallenlassen oder Schlägeinwirkungen).

■ Den Drucker nicht demontieren oder sonstig modifizieren.

• **Bei nicht sachgemäßem Umgang kann es zum Ausfall des Druckers, Überhitzung sowie Brand- und Rauchentwicklung oder elektrischen Schlägen kommen.**



■ Platzieren, verwenden und lagern Sie den Drucker außerhalb der Reichweite von Kindern.

• **Von elektrischen Geräten können bei unsachgemäßer Handhabung oder Verwendung Unfall- und Verletzungsrisiken ausgehen.**

• **Achten Sie darauf, dass sich das Netzkabel und die Signalkabel außerhalb der Reichweite von Kindern befinden. Der Drucker ist so aufzustellen, dass Kinder keinen Zugang zum Geräteinnern erlangen können.**

• Die Kunststoffhülle, in der sich der Drucker bei der Lieferung befindet, ist ordnungsgemäß zu entsorgen oder außerhalb der Reichweite von Kindern aufzubewahren. Wenn die Hülle über den Kopf gezogen wird, besteht Erstickengefahr.



VORSICHT

Unter folgenden Bedingungen darf der Drucker nicht verwendet werden:

- Vibrierende oder instabile Aufstellungsorte vermeiden.
- Standorte vermeiden, an denen keine waagerechte Aufstellung des Druckers möglich ist:
- **Der Drucker kann herunterfallen und Verletzungen verursachen.**
- **Die Druckqualität kann sich verschlechtern.**
 - Die Belüftungsöffnungen des Druckers nicht abdecken.
 - Keine Gegenstände auf den Drucker stellen oder legen.
 - Den Drucker nicht mit Tüchern oder Decken abdecken oder einhüllen.
- **Der entstehende Wärmestau könnte Gehäuseverformungen verursachen oder einen Brand entstehen lassen.**
- Stellen Sie den Drucker nicht in der Nähe von Rundfunk- oder Fernsehempfängern auf und schließen Sie ihn nicht an dieselbe Netzsteckdose an wie diese Geräte.
- Vermeiden Sie es, den Drucker über nicht abgeschirmte Kabel oder Leitungen zu betreiben. (Verwenden Sie für die Signalleitungen abgeschirmte Kabel oder verdrehte Doppelkabel mit Ferritkernen oder andere Abschirmverfahren.)
- Benutzen Sie den Drucker nicht zusammen mit Geräten, die starke Störstrahlung abgeben.
- **Der Drucker kann den Radio- oder Fernsehempfang in der Umgebung beeinträchtigen. Es besteht auch die Möglichkeit, dass benachbarte elektrische Geräte den Drucker beeinflussen und dadurch Datenfehler oder Funktionsstörungen auftreten.**
- Installation in einer anderen Ausrichtung als vorgeschrieben.
- **Andernfalls besteht die Gefahr von Fehlfunktionen, Ausfällen oder Stromschlag.**



- Der Drucker muss mit einem Erdungsanschluss verbunden werden.
- **Erdschlüsse können elektrische Schläge verursachen.**
- Schließen Sie die Erdung des Druckers nicht an folgende Gegenstände an:
 - * Gasleitungen
 - **Andernfalls besteht die Gefahr von Gasexplosionen.**
 - * Erdungen von Telefonleitungen
 - * Blitzableiter
 - **Andernfalls besteht bei Blitzeinschlägen durch Spannungsspitzen Brand- oder Stromschlaggefahr.**
 - * Wasserleitungen
 - **Wasserleitungen aus Kunststoff sind zur Erdung nicht geeignet (sofern keine Zustimmung der zuständigen Wasserwerke vorliegt).**
- Ziehen Sie vor dem Anschließen oder Trennen des Drucker-Erdungsleiters stets den Netzstecker des Geräts.



VORSICHTSMASSNAHMEN BEI DERHANDHABUNG DES DRUCKERS

WARNHINWEIS

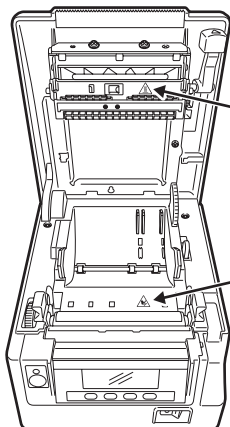
Beachten Sie die nachstehenden Vorsichtsmaßnahmen zur Stromversorgung und zum Netzkabel:

- Den Netzstecker nicht mit feuchten Händen anschließen oder ziehen.
- Betreiben Sie den Drucker ausschließlich mit der angegebenen Netzspannung und -frequenz.
- Verwenden Sie für den Drucker ausschließlich das angegebene externe Netzteil.
- Stellen Sie sicher, dass die Netzsteckdose, an die der Drucker angeschlossen ist, eine ausreichende Belastbarkeit aufweist.
- Verwenden Sie zur Stromversorgung keine Anschlussleisten oder Mehrfachsteckdosen, an die gleichzeitig auch andere Geräte angeschlossen sind.
- Säubern Sie den Netzstecker vor dem Anschließen an eine Steckdose von Staub und anderen Ablagerungen.
- Verwenden Sie keine verformten oder beschädigten Netzkabel.
- Bewegen Sie den Drucker nicht in eingeschaltetem Zustand.
- **Eine unsachgemäße Handhabung kann zum Ausfall des Druckers, zu Brand- und Rauchentwicklung oder elektrischen Schlägen führen.**
- **Bei Überlastung kann sich das Netzkabel überhitzen und in Brand geraten oder der Schutzschalter ausgelöst werden.**
- Stellen Sie keine Gegenstände auf das Netzkabel. Stellen Sie den Drucker so auf, dass nicht auf das Netzkabel getreten wird.
- Achten Sie darauf, dass das Netzkabel beim Benutzen und Transportieren des Druckers nicht verbogen oder verdreht und keinem Zug ausgesetzt wird.
- Versuchen Sie nicht, das Netzkabel zu modifizieren.
- Bringen Sie das Netzkabel nicht in die Nähe von Heizgeräten.
- **Die Nichtbeachtung dieser Vorsichtsmaßnahmen kann Aderbrüche oder Beschädigungen der Isolierung zur Folge haben, wodurch die Gefahr von Kriechströmen, elektrischen Schlägen oder Fehlfunktionen des Druckers besteht. Wenn das Netzkabel beschädigt wurde, wenden Sie sich bitte an Ihren Citizen-Systems-Händler.**
- Achten Sie darauf, dass der Zugang zu der verwendeten Steckdose nicht durch abgestellte Gegenstände behindert wird.
- Versorgen Sie den Drucker über eine günstig platzierte Steckdose, die im Notfall schnell erreichbar ist.
- **Ziehen Sie in einem Notfall zur schnellen Abschaltung den Netzstecker.**
- Stecken Sie den Netzstecker ordnungsgemäß in die Steckdose.
- Ziehen Sie bei längerer Nichtbenutzung des Druckers den Netzstecker aus der Steckdose.
- Nach dem Abschalten des Druckers und des daran angeschlossenen Geräts beim Trennen des Netzkabels oder der Signalleitung den Stecker und den Anschluss greifen.



VORSICHT

Der Warnaufkleber befindet sich an der in der untenstehenden Zeichnung gezeigten Position. Lesen Sie die Vorsichtsmaßnahmen sorgfältig durch, bevor Sie den Drucker in Betrieb nehmen.



DIESER AUFKLEBER WEIST DARAUF HIN, DASS BEI GEÖFFNETER PAPIERABDECKUNG VERBRENNUNGSGEFAHR DURCH HOHE TEMPERATUREN AM DRUCKKOPF SOWIE DIE GEFAHR VON SCHNITTVERLETZUNGEN DURCH DEN MANUELLEN UND AUTOMATISCHEN PAPIERSCHNEIDER BESTEHT.

- Transportieren Sie diesen Drucker nicht mit eingesetzter Papierrolle.
- **Es besteht die Gefahr von Fehlfunktionen oder Schäden am Drucker.**

Beachten Sie die folgenden Hinweise, um Fehlfunktionen zu vermeiden.

- Die Papierabdeckung darf während des Drucks nicht geöffnet werden.
- Den Drucker nicht mit nicht ordnungsgemäß eingesetzter Papierrolle verwenden.
- Kein Papier verwenden, das nicht den Spezifikationen entspricht.
- **Mögliche Beeinträchtigung der Druckqualität.**
- Verwenden Sie kein eingerissenes oder mit Klebestreifen zusammengefügtes Papier.
- Nicht mit der Hand gewaltsam am bereits eingesetzten Papier ziehen.
- Betätigen Sie die Tasten des Bedienungsfelds nicht mit spitzen Gegenständen.



- Achten Sie darauf, dass die Kabelstecker fest in die zugehörigen Buchsen eingesteckt sind.
- **Bei Querschaltung kann es zu Beschädigungen der Druckerelektronik oder der Hardware des Host-Systems kommen.**
- Schließen Sie den Drucker mit Geldlade-Kickout-Funktion ausschließlich an Geräte an, die ein Solenoid mit für die Geldlade-Kickout-Buchse geeigneten technischen Daten besitzen.
- **Bei Nichtbeachtung dieser Vorsichtsmaßnahme können Funktionsfehler und Störungen auftreten.**



VORSICHT

Beachten Sie die folgenden Hinweise, um bei Ausfällen des Geräts Verletzungen und Beschädigungen zu vermeiden.

- Achten Sie bei geöffneter Papierabdeckung darauf, nicht den manuellen Papierschneider zu berühren, der sich im Papierauswurfschlitze befindet.
- Die Druckoberfläche des Thermokopfes nicht berühren.
- Berühren Sie während des Druckerbetriebs keine beweglichen Teile im Inneren des Druckers (z. B. Papierschneider, Zahnräder und aktive elektrische Bauteile).
- Versuchen Sie nicht, den Drucker bei etwaigen Problemen selbst zu reparieren. Verständigen Sie den Citizen Systems-Kundendienst.
- Achten Sie darauf, sich an der Druckerabdeckung nicht die Hände oder Finger einzuklemmen.
- Achten Sie darauf, sich an scharfen Kanten am Drucker nicht zu verletzen und damit keine anderen Gegenstände zu beschädigen.
- **Hier besteht Stromschlag-, Verbrennungs- und Verletzungsgefahr.**



Falls beim Drucken Rauch, ungewöhnliche Gerüche oder Geräusche entstehen, brechen Sie den Druckvorgang sofort ab und ziehen Sie den Netzstecker aus der Steckdose.

TÄGLICHE WARTUNG

Beachten Sie bei der täglichen Wartung die folgenden Vorsichtsmaßnahmen:

- Vor dem Reinigen schalten Sie stets den Drucker aus und ziehen Sie den Netzstecker.
- Zum Abwischen der Oberfläche des Druckergehäuses ein weiches, trockenes Tuch verwenden.
Hartnäckige Verschmutzungen mit einem weichen Tuch entfernen, das leicht mit Wasser befeuchtet wurde.
Verwenden Sie keine organischen Lösungsmittel wie Alkohol, Verdünner, Trichlorethen, Benzol oder Keton. Verwenden Sie keine chemisch behandelten Reinigungstücher.
- Zum Entfernen von Papierstaub einen weichen Pinsel verwenden.



VORSICHT

- **Unmittelbar nach dem Drucken ist der Thermokopf sehr heiß, sodass Verbrennungsgefahr besteht. Warten Sie vor der Durchführung von Wartungsarbeiten ab, bis der Thermokopf abgekühlt ist.**

INHALTSVERZEICHNIS

1. ALLGEMEINE ÜBERSICHT	10
1.1 Funktionen.....	10
1.2 Auspacken.....	11
1.3 Modellklassifizierung.....	11
1.4 Grundlegende technische Daten	12
2. ERLÄUTERUNG DER DRUCKERKOMPONENTEN.....	14
2.1 Ansicht des Druckers.....	14
2.2 Unter der Papierabdeckung	17
2.3 Weitere integrierte Funktionen.....	18
3. EINRICHTUNG.....	20
3.1 Anschließen des Netzkabels	20
3.2 Serielle Schnittstellenkarte	21
3.3 USB-Schnittstellenkarte	22
3.4 Bluetooth-Schnittstellenkarte	23
3.5 Ethernet (LAN)/WLAN-Schnittstellenkarte.....	25
3.6 Ethernet-Schnittstellenkarte (LAN) + USB-Schnittstellenkarte des vorherigen Modells	30
3.7 Anschließen anderer Schnittstellenkabel	33
3.8 Anschließen der Geldlade.....	34
3.9 Hinweise zum Installieren des Druckers	36
3.10 Trennvorrichtung für Papierrollen.....	37
3.11 Einstellen des DIP-Schalters auf der seriellen Schnittstellenkarte	38
3.12 Einstellen des Papiermengen-Sensors	39
3.13 Einlegen von Papier.....	40
3.14 Anbringen der Hauptschalterabdeckung	41
3.15 Anbringen der Schnittstellenabdeckung	42
3.16 Entfernen der Schnittstellenabdeckung.....	42
3.17 Download-Website für verschiedene elektronische Dateien	43
3.18 Vorsichtshinweise für die Erstellung von Anwendungen und praktische Nutzung	43
4. WARTUNG UND FEHLERBEHEBUNG.....	44
4.1 Regelmäßige Reinigung.....	44
4.2 Beheben einer Cuttersperre (1)	45
4.3 Beheben einer Cuttersperre (2)	45
4.4 Funktionstest-Modus.....	47
4.5 Tastensperre-Funktion	49
4.6 Hexdump-Ausdruck.....	50
4.7 Fehlermeldungen.....	51
4.8 Papierstau.....	53
4.9 Vorsichtshinweise beim Betrieb der seriellen Schnittstelle.....	53
5. SONSTIGES.....	54
5.1 Äußere Ansicht und Abmessungen	54
5.2 Druckpapier	55
5.3 Manuelle Einstellung von Speicherschaltern.....	56

1. ALLGEMEINE ÜBERSICHT

Die Modelle CT-S851II sind Thermo-Zeilendrucker, die sich für verschiedene Terminallösungen eignen, darunter Daten-, POS- und Küchenterminals.

Diese Geräte besitzen umfassende Funktionen und können in einer Vielzahl von Anwendungsbereichen eingesetzt werden.

1.1 Funktionen

- Hochgeschwindigkeitsdruck (300 mm/s)
- Kompaktes Design ermöglicht die Installation überall (maximale Papierrollengröße 83 mm (3 Zoll))
- Wassergeschützte Konstruktion verhindert, dass von oben her Wasser eindringt
- Durch Papierausgabe nach vorne kann der Drucker auch auf engem Raum aufgestellt werden
- Auswahl zwischen zwei Modellen mit entweder 83/80 mm (3 Zoll) oder 60/58 mm (2 Zoll) Papierrollenbreite
- Modelle mit integriertem Netzgerät oder mit Netzteil lieferbar
- LCD-Display, LED und Signaltongebener zur Druckerstatus- und Fehleranzeige
- LCD-Display und vier Tasten zum einfachen Ändern der Einstellungen
- Schnell und leise arbeitender Papierschneider
- Einfache Behebung von Papierschneider-Blockierungen
- USB-Stromversorgung AUS
- Wechselbare Schnittstelle
- Eine USB-Host-Funktion, mit der Peripheriegeräte gesteuert werden können, ist für die verdrahtete LAN- -Schnittstelle verfügbar.
- Eingebaute Geldlade-Kickout-Schnittstelle
- Speicherschalter ermöglichen spezifische Anpassungen
- Benutzerspeicher für vom Benutzer definierte Sonderzeichen und Logos
- Druck von Strichcodes und 2D-Strichcodes wird unterstützt
- 16-stufige Graustufen und klarer Druck
- Papiersparfunktionen
- Unterstützung für japanische Kanji, Chinesisch (vereinfacht und traditionell) und Hangul
- Treiber und Dienstprogramm-Software mitgeliefert
- Unterstützung für Apple MFi-zertifizierte Bluetooth-Kommunikation (Bluetooth-Modell)
- Einige Modelle unterstützen Schwarzmarkierungspapier

1.2 Auspacken

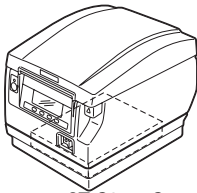
Vergewissern Sie sich beim Auspacken des Druckers, dass alle nachstehend aufgeführten Komponenten vorhanden sind:

- Drucker: 1
- Schnittstellenabdeckung: 1
- Netzkabel: 1
- Hauptschalterabdeckung: 1
- Probe-Papierrolle: 1 Rolle
- Kurzanleitung: 2
- Netzteil*1: 1
- USB-Kabel*2: 1

Hinweise:

*1: nur CT-S851IIA

*2: nur Modelle mit USB-Schnittstelle
In bestimmten Märkten



CT-S851IIS

(Ausführung mit integriertem Netzgerät)
Netzgerät 36AD3/37AD3 integriert



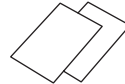
Netzkabel



USB-Kabel



Probe-Papierrolle



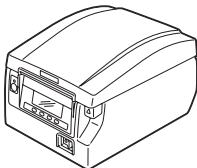
Kurzanleitung



Hauptschalterabdeckung



Schnittstellenabdeckung



CT-S851IIA

(Ausführung mit Netzteil)



Netzteil
(36AD2/37AD5)



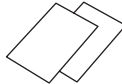
Netzkabel



USB-Kabel



Probe-Papierrolle



Kurzanleitung



Hauptschalterabdeckung

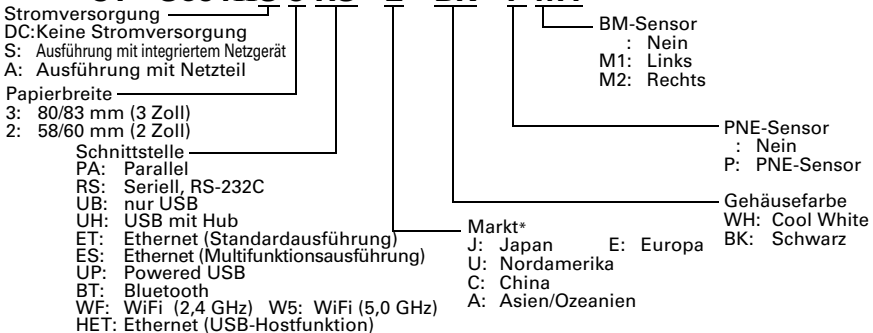


Schnittstellenabdeckung

1.3 Modellklassifizierung

Die Modellbezeichnungen geben die Funktionsausstattung der Druckermodelle nach dem folgenden Schema an:

CT - S851IIS 3 RS E - BK - P M1



Einige Kombination sind eventuell nicht verfügbar. Wenden Sie sich vorab an Citizen.

Hinweis:

*: Netzkabel, Verschraubung der seriellen Schnittstelle, Firmware und weitere technische Details können je nach Markt variieren.

1.4 Grundlegende technische Daten

Merkmal	Technische Daten						
Modell	CT-S851II						
Druckverfahren	Thermo-Zeilenpunktdruck						
Druckbreite *1	80 mm/640 Punkte, 72 mm/576 Punkte, 64 mm/512 Punkte, 54,5 mm/436 Punkte, 54 mm/432 Punkte, 52,5 mm/420 Punkte, 48 mm/384 Punkte, 45 mm/360 Punkte, 48,75 mm/390 Punkte, 68,25 mm/546 Punkte						
Punktdichte	8 × 8 Punkte/mm (203 dpi)						
Druckgeschwindigkeit	300 mm/s (max., Druckdichte 100 %, 2400 Punktzeilen/s)						
Anzahl Druckspalten *2	–	Maximale Anzahl der Zeichen (Spalten)				Punktconfiguration (Punkte)	
	Papierbreite	83 mm	80 mm	60 mm	58 mm		
	Schrift						
	Schrift A	53	48	36	35		12 × 24
	Schrift B	71	64	48	46		9 × 24
Schrift C	80	72	54	52	8 × 16		
Zeichengröße*3	Schrift A: 1,50 × 3,00 mm Schrift B: 1,13 × 3,00 mm Schrift C: 1,00 × 2,00 mm						
Zeichentyp	Alphanumerisch, international, PC437/850/852/857/858/860/863/864/865/866, WPC1252, katakana, ThaiCode 11/18 (1Pass/3Pass), TCVN-3						
Flüssigkristall-Display (LCD)	128 × 32 Punkte, STN-Flüssigkristall-Display, weiße/rote LED-Hintergrundbeleuchtung						
Benutzerspeicher	384 KB (zum Speichern von benutzerdefinierten Zeichen und Logos)						
Strichcode-Typen	UPC-A/E, JAN (EAN) 13/8 Spalten, ITF, CODE39, CODE128, CODABAR (NW-7), CODE93, PDF417, QR Code, GS1-Databar						
Zeilenabstand	4,23 mm (1/6 Zoll) (per Befehl veränderbar)						
Papierrolle	Papierrolle: 83 ⁺⁰ ₋₁ mm/80 ⁺⁰ ₋₁ mm/60 ⁺⁰ ₋₁ mm/58 ⁺⁰ ₋₁ mm × max. φ83 mm Papierstärke: 65 bis 75 µm (Kernrohr-Durchmesser: innen 12 mm / außen 18 mm) 75 bis 85 µm (Kernrohr-Durchmesser: innen 25,4 mm / außen 32 mm)						
Schnittstelle	Seriell (RS-232C-kompatibel), Parallel (IEEE 1284-kompatibel), USB, USB mit Hub, Ethernet, Powered USB, Bluetooth (3.0), WLAN (802.11b/g oder 802.11a/b/g/n), LAN(USB-Host-Funktion) (USB 2-Anschluss)						
Geldlade-Kickout-Funktion	2 Fächer werden unterstützt						
Puffergröße	4 kByte / 45 Byte						
Versorgungsspannung	24 V Gleichspannung ±5 %						
Leistungsaufnahme	Ca. 45 W (normaler Druckbetrieb), 3 W (Standby)						
Netzteil *4 (36AD2/3, 37AD3/5)	Nenn-Eingangsspannung: 100 bis 240 V AC, 50/60 Hz, 150 VA Nenn-Ausgangsspannung: 24 V DC, 2,1 A						

Merkmal	Technische Daten
Gewicht	CT-S851IIS: Ca. 1,9 kg, CT-S851IIA: Ca. 1,5 kg
Äußere Abmessungen	CT-S851IIS: 145 (B) × 192 (T) × 142 (H) mm CT-S851IIA: 145 (B) × 192 (T) × 114 (H) mm
Betriebstemperatur und Luftfeuchtigkeit	5 bis 45 °C, 10 bis 90 % relative Luftfeuchtigkeit (nicht kondensierend)
Lagertemperatur und Luftfeuchtigkeit	-20 bis 60 °C, 10 bis 90 % relative Luftfeuchtigkeit (nicht kondensierend)
Zuverlässigkeit	Lebensdauer Druckkopf: 150 km, 200 Millionen Impulse (normale Temperatur/Luftfeuchtigkeit, empfohlenes Papier) Lebensdauer automatischer Papierschneider: 2 Millionen Schnitte (Vollschnitt), 1,6 Millionen Schnitte (Teilschnitt) (normale Temperatur/Luftfeuchtigkeit, empfohlene Papiersorte und -stärke)
Sicherheitsstandard *5	UL, cUL, FCC, IC, CE, UKCA *

*: Bitte wenden Sie sich an uns für Informationen über andere Regionen und den neuesten Stand, z. B. zu Standardnummern.

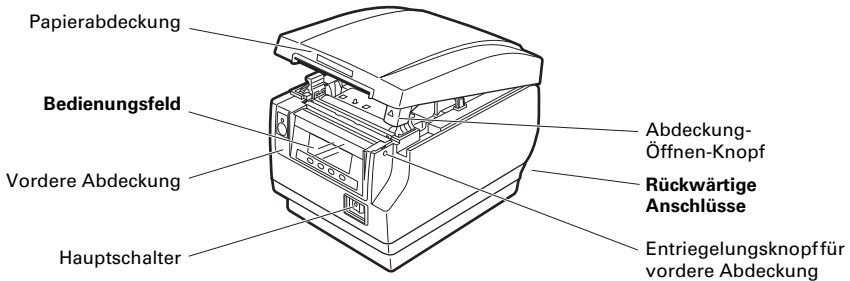
Hinweise:

- *1: Bei Papierbreite 83, 80, 60 oder 58 mm.
- *2: Die Anzahl der druckbaren Spalten wird per Speicherschalter eingestellt.
Die Spaltenangaben in dieser Tabelle beziehen sich auf ein typisches Modell. Die Anzahl der druckbaren Spalten ist je nach Druckerspezifikation unterschiedlich.
- *3: Da die angegebene Zeichengröße jeweils einen Leerbereich beinhaltet, der das Zeichen umgibt, sieht das tatsächliche Zeichen kleiner aus.
- *4: Das Netzteil 36AD2/37AD5 wird mit dem CT-S851IIA als Zubehör mitgeliefert.
Das Netzgerät 36AD3/37AD3 ist in den CT-S851IIS integriert.
- *5: Wird erfüllt, sofern das Netzteil von Citizen Systems (36AD2/3, 37AD3/5) eingesetzt wird.

2. ERLÄUTERUNG DER DRUCKERKOMPONENTEN

2.1 Ansicht des Druckers

Bezeichnungen der Komponenten



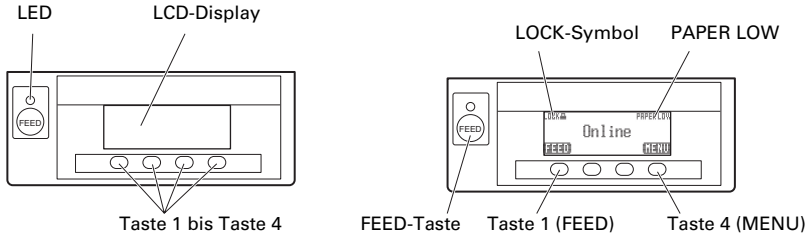
- **Papierabdeckung**
Wird zum Einlegen von Papier geöffnet.
- **Abdeckung-Öffnen-Knopf**
Mit diesem Knopf wird die Papierabdeckung geöffnet.
- **Vordere Abdeckung**
Öffnen und schließen Sie diese Abdeckung, um eine Blockierung des Papierschneidmessers zu beheben.



Siehe 4.3 Beheben einer Cuttersperre (2)

- **Entriegelungsknopf für vordere Abdeckung**
Drücken Sie diesen Knopf, um die vordere Abdeckung zu öffnen.
- **Hauptschalter**
Drücken Sie diesen Schalter, um das Gerät ein- bzw. auszuschalten.

Bedienungsfeld



Ein Beispiel für eine Anzeige im LCD-Display ist oben rechts dargestellt.

- **LCD-Display**
Zeigt Druckerstatus, Tastenbezeichnungen, Fehlertypen und Meldungen an.
- **LED**
Leuchtet grün bei eingeschalteter Versorgungsspannung und erlischt bei ausgeschalteter Spannung.
Blinkt grün, während Daten empfangen werden.
Leuchtet rot in speziellen Betriebsarten und bei Störungen.
Leuchtet orange, wenn der Papiervorrat zur Neige geht oder der Druckkopf heiß wird.
- **Taste 1 bis Taste 4**
Die Funktionsbelegung dieser Tasten ist je nach aktiver Betriebsart unterschiedlich. Die Tasten unter dem LCD-Display sind von links nach rechts als Taste 1, Taste 2, Taste 3 und Taste 4 durchnummeriert.
- **FEED-Taste**
Drücken Sie diese Taste, um den Papiervorschub zu betätigen.
Um eine Cuttersperre zu beseitigen, entfernen Sie die Ursache der Blockierung des Papierschneidemessers, schließen Sie die Papierabdeckung und drücken Sie die FEED-Taste.



Siehe 4.7 Fehlermeldungen

- **MENU-Taste**
Drücken und halten Sie diese Taste (mindestens zwei Sekunden lang), um den Speicherschalter-Einstellmodus aufzurufen.



Siehe 5.3 Manuelle Einstellung von Speicherschaltern

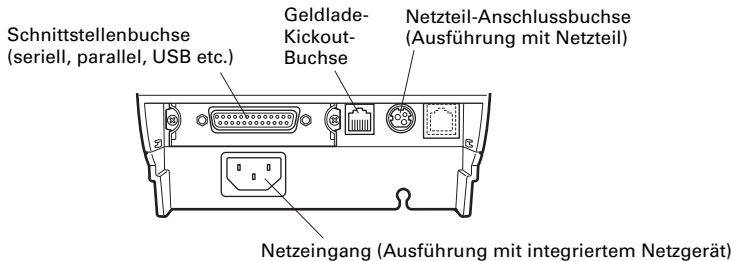
- **PAPER LOW**
Wird angezeigt, wenn der Papiervorrat auf der Rolle zur Neige geht.

- LOCK-Symbol
Dieses Symbol weist darauf hin, dass die MENU-Taste gegen Betätigungen gesperrt ist.



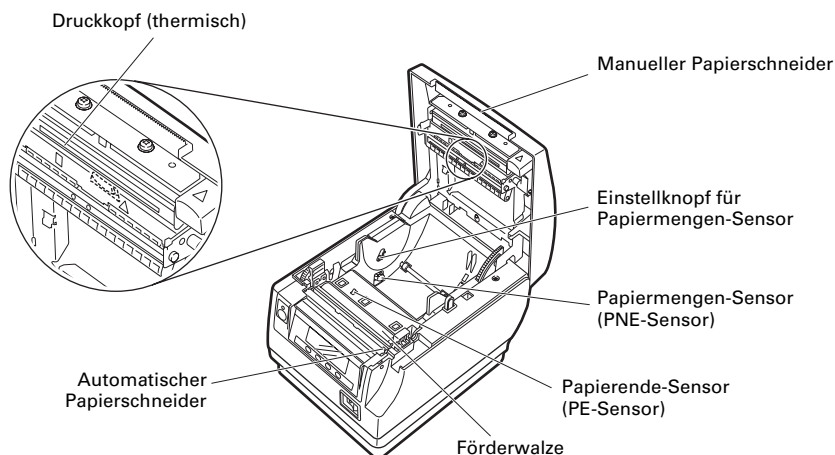
Siehe 4.5 Tastensperre-Funktion

Rückwärtige Anschlüsse



- Schnittstellenbuchse (seriell, parallel, USB etc.)
Anschluss für das Schnittstellenkabel.
Die serielle Schnittstellenkarte ist mit einem DIP-Schalter versehen.
- Geldlade-Kickout-Buchse
Zum Anschließen des Kabels von der Geldlade.
- Netzteil-Anschlussbuchse (Ausführung mit Netzteil)
Zum Anschließen des Kabels vom Netzteil.
- Netzeingang (Ausführung mit integriertem Netzgerät)
Anschluss für das Netzkabel.

2.2 Unter der Papierabdeckung



- **Förderwalze**
Bewirkt den Papiervorschub.
Die Förderwalze darf nur ausgebaut werden, wenn dies zu Wartungszwecken erforderlich ist.
- **Papiermengen-Sensor (PNE-Sensor)**
Erkennt, dass der Papiervorrat auf der Rolle zur Neige geht. Durch Anpassen der Sensorposition können Sie festlegen, wann das baldige Ende des Papiervorrats gemeldet werden soll.
- **Einstellknopf für Papiermengen-Sensor**
Passen Sie die Einstellung des Papiermengen-Sensors an die Stärke der verwendeten Papiersorte an.



Siehe 3.12 Einstellen des Papiermengen-Sensors

- **Manueller Papierschneider**
Zum manuellen Zuschneiden des Papiers nach dem Ende des Druckvorgangs.
- **Automatischer Papierschneider**
Schneidet das Papier nach dem Ende des Druckvorgangs automatisch zu.



Siehe 5.3 Manuelle Einstellung von Speicherschaltern

- **Druckkopf (thermisch)**
Druckt alphanumerische Zeichen und Grafikdaten auf Papier (Papierrollen).

- **Papierende-Sensor (PE-Sensor)**
Erkennt es, wenn sich kein Papier im Drucker befindet. Der Druckvorgang wird abgebrochen, wenn dieser Sensor meldet, dass kein Papier mehr vorhanden ist.

2.3 Weitere integrierte Funktionen

- **Signaltongeber**
Erzeugt einen Signaltong, wenn Fehler auftreten oder wenn Funktionen oder Befehle ausgeführt werden.



Siehe 4.7 Fehlermeldungen

- **Benutzerspeicher**
In diesem Speicher können Sie benutzerdefinierte Logo- und Schriftzeichendaten ablegen. Die Daten bleiben in diesem Speicher erhalten, auch wenn der Drucker ausgeschaltet wird. Hinweise zum Speichern von Daten finden Sie in der Befehlsreferenz.
- **Speicherschalter**
Die Einstellungen für verschiedene Arten von Funktionen können im Speicher abgelegt werden. Die Einstellungen bleiben im Speicher erhalten, auch wenn der Drucker ausgeschaltet wird.
- **USB-Stromversorgung AUS (Wenn der Speicherschalter MSW6-3 auf EIN gesetzt ist)**
Wenn der Drucker über USB mit einem PC verbunden ist, wird drei Sekunden nach Ausschalten des PCs oder Trennen der USB-Verbindung die USB-Stromversorgung ausgeschaltet.
Dieser Modus wird abgebrochen, wenn der PC erneut eingeschaltet wird oder wenn eine USB-Verbindung hergestellt wird.



VORSICHT

- Die POWER-LED leuchtet bei ausgeschalteter USB-Stromversorgung nicht, wodurch sich der Betriebsstatus nicht ablesen lässt.
- Wenn auf POWER gedrückt wird, während die USB-Stromversorgung ausgeschaltet ist, wird das Gerät nicht sofort eingeschaltet. Nach einiger Zeit wird die Option USB-Stromversorgung AUS abgebrochen und durch Drücken auf POWER wird das Gerät auf normale Weise eingeschaltet.

- **Papiersparfunktionen**
Die Speicherschalter MSW8-3 bis MSW8-5 können für die Konfiguration der unten stehenden Einstellungen verwendet werden, was Papier spart.
 - **Reduktion des oberen Rands**
Der Drucker zieht das Papier vor dem Drucken erneut ein, um den leeren Bereich am oberen Papierrand zu reduzieren.
Die Länge dieses Bereichs kann festgelegt werden.
 - **Line gap reduce**
Der Abstand zwischen den Zeilen wird automatisch komprimiert. Das Komprimierungsverhältnis kann festgelegt werden.
 - **Vertikale/horizontale Textkomprimierung**
Verkleinert die Druckgröße.
Das Ausmaß der Komprimierung wird durch die Kombination des vertikalen und horizontalen Komprimierungsverhältnisses bestimmt.
- **Funktion zum Verschieben von Punkten (MSW8-6)**
Mithilfe dieser Funktion wird die Wärme spezieller Druckkopfkomponenten abgeführt, die durch bestimmte häufige Vorgänge wie das Drucken vertikaler Linien usw. entsteht, und dadurch der Verschleiß der Wärmeelemente verhindert.
Wenn innerhalb von 15 Sekunden nach dem Schneiden oder Drucken keine Daten empfangen werden, wird die Druckposition automatisch um N* Punkte nach rechts verschoben. Beim nächsten Verschiebungsvorgang kehrt der Druckkopf in die ursprüngliche Druckposition zurück.
*N ist der Einstellwert von MSW8-6.



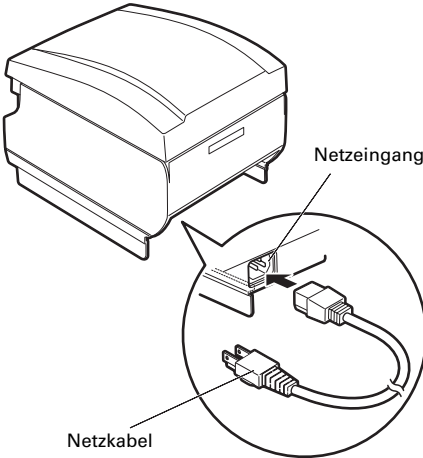
VORSICHT

- Bevor Sie die Einstellung zur Reduktion des oberen Rands konfigurieren, entfernen Sie zuerst jegliches teilweise geschnittenes Papier aus dem Drucker. Anderenfalls kann das geschnittene Papier beim nächsten Druckvorgang abgerissen werden und zu einem Druckerproblem führen.
- Beachten Sie folgende Vorsichtshinweise bei der Verwendung der Textkomprimierung.
 - **Komprimierter Text lässt sich schwerer lesen als der ursprüngliche Text.**
 - **Durch horizontales Komprimieren von Text wird zudem der Druckbereich kleiner, aber die Anzahl der Druckzeilen ändert sich nicht. Achten Sie besonders bei der Verwendung von schmalen Papier auf den Druckbereich.**
 - **Verwenden Sie keinen komprimierten Text beim Drucken eines Barcodes. Anderenfalls kann der Barcode nicht mehr ausgelesen werden.**
- Wenn der rechte Rand zu schmal ist, werden eventuell einige gedruckten Zeichen abgeschnitten. Diese Funktion ist standardmäßig deaktiviert. Um diese Funktion zu aktivieren, legen Sie mit MSW8-6 einen geeigneten Höchstwert für das Verschieben von Punkten fest.

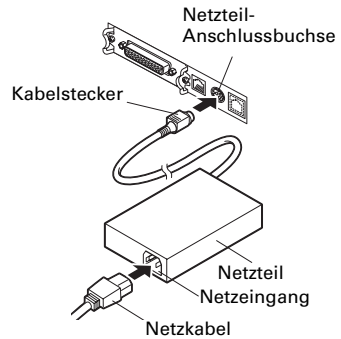
3. EINRICHTUNG

3.1 Anschließen des Netzkabels

1. Schalten Sie das Gerät aus.
2.
 - Bei dem Druckermodell mit integriertem Netzgerät verbinden Sie das Netzkabel mit dem Netzeingang, und schließen Sie den Netzstecker an eine Steckdose an.
 - Bei dem Druckermodell mit Netzteil schließen Sie den Kabelstecker des Netzteils an die Netzteil-Anschlussbuchse an. Verbinden Sie dann das Netzkabel mit dem Netzeingang, und schließen Sie den Netzstecker an eine Steckdose an.



Ausführung mit integriertem Netzgerät



Ausführung mit Netzteil



VORSICHT

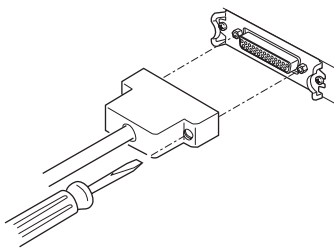
- Verwenden Sie ausschließlich ein Netzteil, das den vorgeschriebenen Nennwerten entspricht.
- Fassen Sie das Netzteil-Anschlusskabel beim Abziehen oder Anschließen stets direkt am Stecker an.
- Verwenden Sie keinen Versorgungsstromkreis, der gleichzeitig Geräte speist, die elektromagnetische Störungen erzeugen.
- Ziehen am Netzkabel kann eine Beschädigung des Kabels, Feuer, Stromschläge oder Brüche der Leitungsadern verursachen.
- Ziehen Sie bei aufziehendem Gewitter das Netzkabel aus der Steckdose. Blitzeinschläge können Brände oder Stromschläge verursachen.
- Verlegen Sie das Netzkabel nicht in der Nähe von Heizgeräten. Die Isolation des Netzkabels kann schmelzen und so einen Brand oder Stromschlag verursachen.
- Wenn der Drucker längere Zeit nicht genutzt wird, trennen Sie das Netzkabel von der Steckdose.
- Verlegen Sie das Netzkabel so, dass niemand darauftritt.
- Bei dem Druckermodell mit Netzteil trennen Sie das Netzstromkabel, wenn Sie den Kabelstecker an den Netzstecker anschließen. Wenn das Netzstromkabel in die Steckdose gesteckt bleibt, können die 24-V- und GND-Klemmen des Kabelsteckers mit dem Schraubenkopf oder anderen Metallteilen in Berührung kommen und einen Kurzschluss verursachen, der zu einer Fehlfunktion des Netzteils führt.

3.2 Serielle Schnittstellenkarte

Daten können durch eine serielle Kommunikation ausgetauscht werden.

Anschließen von Schnittstellenkabeln

1. Schalten Sie das Gerät aus.
2. Richten Sie das Schnittstellenkabel richtig aus, und verbinden Sie es mit dem Schnittstellenanschluss.



3. Stecken Sie den anderen Stecker fest in den Schnittstellenanschluss des Host-Computers.

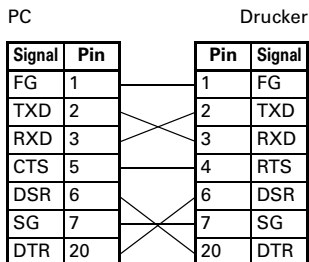


VORSICHT

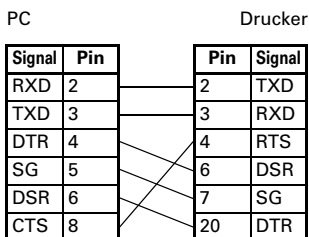
- Fassen Sie das Kabel beim Abziehen stets direkt am Stecker an.
- Verlegen Sie das Schnittstellenkabel so, dass niemand darauftritt.

Verwenden Sie ein serielles Schnittstellenkabel mit der unten gezeigten Pinbelegung.

25-Pin – 25-Pin-Kabel



9-Pin – 25-Pin-Kabel



3.3 USB-Schnittstellenkarte

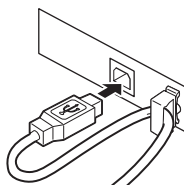
Daten können durch eine USB-Kommunikation ausgetauscht werden.

Technische Daten

Standard	USB 2.0-konform
Kommunikationsgeschwindigkeit	Unterstützt (Full-Speed) 12-Mbps-Übertragung

Anschließen von Schnittstellenkabeln

1. **Schalten Sie das Gerät aus.**
2. **Richten Sie das Schnittstellenkabel richtig aus, und verbinden Sie es mit dem Schnittstellenanschluss.**



3. **Stecken Sie den anderen Stecker fest in den Schnittstellenanschluss des Host-Computers.**

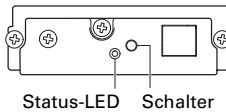


VORSICHT

- Fassen Sie das Kabel beim Abziehen stets direkt am Stecker an.
- Verlegen Sie das Schnittstellenkabel so, dass niemand darauftritt.
- Achten Sie darauf, dass das USB-Schnittstellenkabel nicht an die Geldlade-Kickout-Buchse angeschlossen wird.
- Wenn Sie mehrere Drucker per USB an einen einzelnen Computer anschließen möchten, müssen Sie eine USB-Schnittstelle mit anderer Seriennummer verwenden.

3.4 Bluetooth-Schnittstellenkarte

Bluetooth-Status-LED



Die LED an der Bluetooth-Schnittstellenkarte auf der Druckerrückseite zeigt den Status wie folgt an.

Status	Beschreibung	LED-Status
Erkennungs- Standby (sichtbar)	Erkennungs- und Verbindungsbereitschaft	
Verbindungs- Standby (verbindbar)	Verbindungsbereitschaft	
iOS-Verbindung	Keine Datenübertragung	
Kommunikation läuft	iOS: Daten werden übertragen Anderes Betriebssystem: Verbindung ist hergestellt und Daten werden übertragen	
Fehler	Fehler oder Einstellungen werden gerade konfiguriert	Leuchtet nicht

Kopplung

Wenn zum ersten Mal eine Bluetooth-Verbindung für die Bluetooth-Datenübertragung hergestellt wird, müssen die folgenden Schritte ausgeführt werden.

- A: Bluetooth-Geräte erkennen
- B: Kopplungseinstellungen konfigurieren

A: Erkennen der Bluetooth-Geräte

Überprüfen Sie zuerst, dass Bluetooth auf dem Host-PC aktiviert ist, bevor Sie nach Bluetooth-Geräten suchen.

Das Produkt wird nach der Erkennung als „CT-S851II_XX“ angezeigt. (XX sind die letzten 2 Ziffern der eindeutigen Seriennummer.)

Wählen Sie dieses Produkt aus den erkannten Geräten aus.

Hinweis: Sie können nach Geräten suchen und die Namen ändern.

Wenn der Speicherschalter MSW13-5 auf „No Response“ gesetzt ist, wird bei der Geräteerkennung nichts angezeigt.

Die Einstellung kann vorübergehend auf Geräteerkennung (Erkennungsmodus) gesetzt werden, indem der Schalter an der Bluetooth-Schnittstellenkarte betätigt wird. Der Erkennungsmodus wird verlassen, nachdem die Verbindung mit dem Host-PC getrennt wird.

B: Konfigurieren der Kopplungseinstellungen

Normalerweise wird nach der Auswahl des Druckers während der Geräteerkennung sofort mit den Kopplungseinstellungen fortgefahren.



VORSICHT

Einige Host-PC-Konfigurationen und Modelle wechseln eventuell nicht direkt zu den Kopplungseinstellungen, nachdem der Drucker während der Geräteerkennung ausgewählt wurde.

Je nachdem, ob SSP (Secure Simple Pairing) auf dem Host-PC aktiviert ist, sind unterschiedliche Vorgänge für die Konfiguration der Kopplungseinstellungen erforderlich.

Ist SSP auf dem Host-PC aktiviert, kann eine Kopplung ohne zusätzliche Vorgänge vorgenommen werden.

Ist SSP auf dem Host-PC deaktiviert, werden Sie zur Eingabe eines Hauptschlüssels aufgefordert.

Geben Sie den Hauptschlüssel wie nachfolgend erläutert ein.

Hauptschlüssel die letzten vier Ziffern der Statusausdruck-Adresse
(Bei den Buchstaben A bis F handelt es sich um Großbuchstaben.)
Beispiel: Bei der Adresse 01:23:45:67:89:AB
ist der Hauptschlüssel 89AB.

Wenn Sie die Kopplungsinformationen vom Host-PC löschen, ohne die entsprechenden Kopplungsinformationen auf dem Drucker zu löschen, wird der Drucker eventuell nicht angezeigt, wenn erneut eine Geräteerkennung mit dem Host-PC durchgeführt wird.

Um die Druckerkopplungsinformationen zu löschen, halten Sie den Schalter an der Bluetooth-Schnittstellenkarte für mindestens zwei Sekunden gedrückt.

Durch Löschen der Kopplungsinformationen auf dem Drucker wird dieser in den Entdeckungsmodus geschaltet.

Erneute Verbindungsanfrage

Bei einer Bluetooth-Kommunikation mit einem iOS-Gerät wird eine Verbindung zwischen einem gekoppelten iOS-Gerät und dem Drucker nach einem Verbindungsausfall nicht automatisch wiederhergestellt. Wenn jedoch die Option erneute Verbindungsanfrage aktiviert ist, versucht der Drucker eine erneute Verbindung mit dem iOS-Gerät herzustellen. Wenn eine bidirektionale Kommunikation aktiviert ist, wird die Verbindung automatisch wiederhergestellt.



VORSICHT

Diese Funktion ist bei Auslieferung ab Werk aktiviert. (MSW13-6)

Eine erneute Verbindungsanfrage kann etwas dauern, wenn es sich beim Host nicht um ein iOS-Gerät handelt.

■ Selbst wenn es sich beim zu koppelnden Gerät um ein iOS-Gerät handelt, können die nachfolgenden Bedingungen die Funktion erneute Verbindungsanfrage beeinträchtigen:

- Wenn die Bluetooth-Verbindung nach Abschluss des Druckvorgangs getrennt werden soll
- Wenn mehrere iOS-Geräte auf dem gleichen Drucker drucken

Deaktivieren Sie in diesen Fällen die Funktion erneute Verbindungsanfrage.

Erneute Verbindungsanfrage aktivieren/deaktivieren

Die Einstellung dieser Funktion kann anhand folgender Methode geändert werden.

Drücken Sie während des Statusausdrucks 3 Mal auf die FEED-Taste -->

Erneute Verbindungsanfrage = gültig

Drücken Sie während des Statusausdrucks 4 Mal auf die FEED-Taste -->

Erneute Verbindungsanfrage = ungültig

Am Ende des Statusausdrucks wird aufgelistet, ob die neue Einstellung Erneute Verbindungsanfrage auf [Valid] oder [Invalid] eingestellt ist.



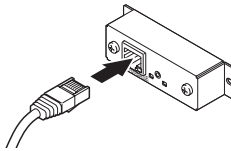
Siehe 4.4 Funktionstest-Modus

3.5 Ethernet (LAN)/WLAN-Schnittstellenkarte

Dieser Abschnitt gibt einen Überblick über die Schnittstellenkarte. Weitere Informationen zu dieser Karte und Erklärungen zur USB-Host-Funktion und XML-Peripheriegerät-Unterstützung finden Sie in einem separaten Handbuch.

Anschließen von Schnittstellenkabeln

1. **Schalten Sie das Gerät aus.**
2. **Richten Sie das Schnittstellenkabel richtig aus, und verbinden Sie es mit dem Schnittstellenanschluss.**



3. **Verbinden Sie den anderen Stecker mit einem Hub, Router oder einem ähnlichen Gerät.**

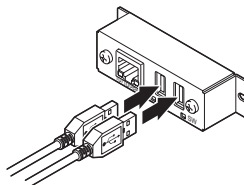


VORSICHT

- Fassen Sie das Kabel beim Abziehen stets direkt am Stecker an.
- Verlegen Sie das Schnittstellenkabel so, dass niemand darauftritt.
- Halten Sie den Stecker des Ethernet-Schnittstellenkabels beim Einstecken und Abziehen senkrecht und gerade. Verkanten des Steckers kann zu Anschlussfehlern führen.

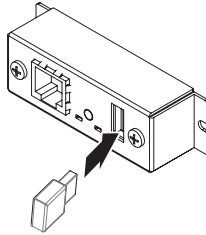
Anschließen eines Peripheriegeräts

1. **Schalten Sie das Gerät aus.**
2. **Stecken Sie das Kabel des Peripheriegeräts in die Buchse.**



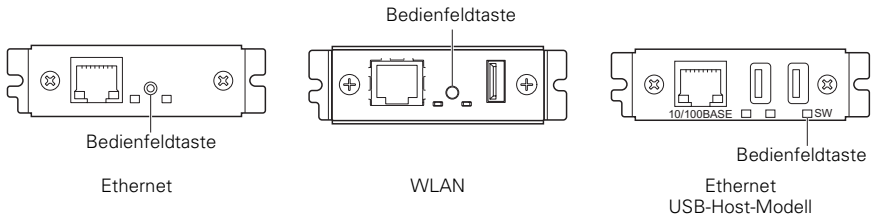
Anschließen des WLAN-Adapters

1. Schalten Sie das Gerät aus.
2. Schließen Sie den WLAN-Adapter an die Buchse an.



Bedienung der Bedienfeldtaste

Die LAN-Schnittstellenkarte wird über die Bedienfeldtaste an der Rückseite bedient.



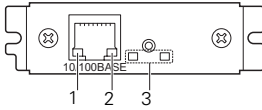
- Aktivieren einer LAN-Verbindung
Schalten Sie den Drucker ein. Die Schnittstellenkarte nimmt etwa 20 Sekunden später den Betrieb auf.
- Drucken von LAN-Setupinformationen
Drücken Sie auf die Bedienfeldtaste.
- Aufrufen des Einstellungsmodus
Halten Sie die Bedienfeldtaste gedrückt. Es wird ein Signalton* ausgegeben, der darauf verweist, dass in den Einstellungsmodus gewechselt wurde.
 - Im Einstellungsmodus können die Werkseinstellungen angezeigt werden.
 - Wenn 3 Sekunden lang keine Bedienung im Konfigurationsmodus erfolgt, wird der Modus auf den normalen Modus zurückgesetzt.
- Zurücksetzen der Werkseinstellungen
Wechseln Sie in den Schnittstellenkarten-Einstellungsmodus und halten Sie dann die Bedienfeldtaste gedrückt. Damit wird die Schnittstellenkarte auf ihre Werkseinstellungen zurückgesetzt.

VORSICHT

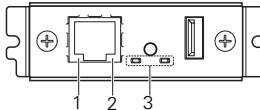
Die Schnittstellenkarte wird nach Abschluss des Vorgangs neu gestartet. Nach dem Löschen der Einstellungen müssen die Netzwerkeinstellungen erneut konfiguriert werden.

LED-Funktionen

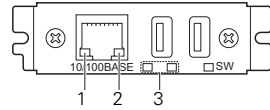
Die nachfolgende Tabelle erläutert die Bedeutung der LED-Anzeigen.



Ethernet



WLAN



Ethernet
USB-Host-Modell

1. WLAN-Übertragungsgeschwindigkeit

Übertragungsgeschwindigkeit	LED (grün)
100 Mbit/s	Leuchtet
10 Mbit/s / Nicht verbunden	Leuchtet nicht

2. WLAN-Verbindung/-Übertragungsstatus

Verbindungsstatus	LED (gelb)
Verbunden	Leuchtet
Nicht verbunden	Leuchtet nicht
Daten werden übertragen	Blinkt

3. Status verkabeltes LAN/WLAN

Verbindungsstatus		LED (grün)	LED (rot)	Beschreibung
Keine Druckerverbindung		Leuchtet nicht	—	Die Schnittstellenkarte ist nicht mit dem Drucker verbunden.
Druckerverbindung	Keine Netzwerkverbindung	Leuchtet	Leuchtet nicht	Die Schnittstellenkarte ist mit dem Drucker verbunden.
	Über verdrahtetes LAN verbunden	Leuchtet	Blinkt (1-Sekunden-Intervall)	Es wird eine IP-Adresse vom DHCP-Server über ein verdrahtetes LAN bezogen.
	Verdrahteter LAN-Betrieb	Leuchtet	Leuchtet	Es ist ein Netzwerkbetrieb über ein verdrahtetes LAN hergestellt.
	Über WLAN verbunden*	Blinkt (2-Sekunden-Intervall)	Blinkt (1-Sekunden-Intervall)	Es wird eine Verbindung über einen Zugriffspunkt hergestellt oder es wird eine IP-Adresse vom DHCP-Server über ein WLAN bezogen.
	WLAN-Betrieb*	Blinkt (2-Sekunden-Intervall)	Leuchtet	Es ist ein Netzwerkbetrieb über ein WLAN hergestellt.
Ressourcenfehler		Blinkt (1-Sekunden-Intervall)		Die Schnittstellenkarte funktioniert nicht ordnungsgemäß.
Systemfehler		Blinkt (0,2-Sekunden-Intervall)		Die Schnittstellenkarte funktioniert nicht ordnungsgemäß.

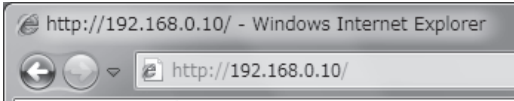
*: Nur bei Verwendung von WLAN

Web-Manager

Die Schnittstellenkarte verfügt über eine Web-Manager-Funktion, mit deren Hilfe über einen Webbrowser eine Verbindung mit der Schnittstellenkarte hergestellt werden kann und die Einstellungen der Schnittstellenkarte geändert werden können.

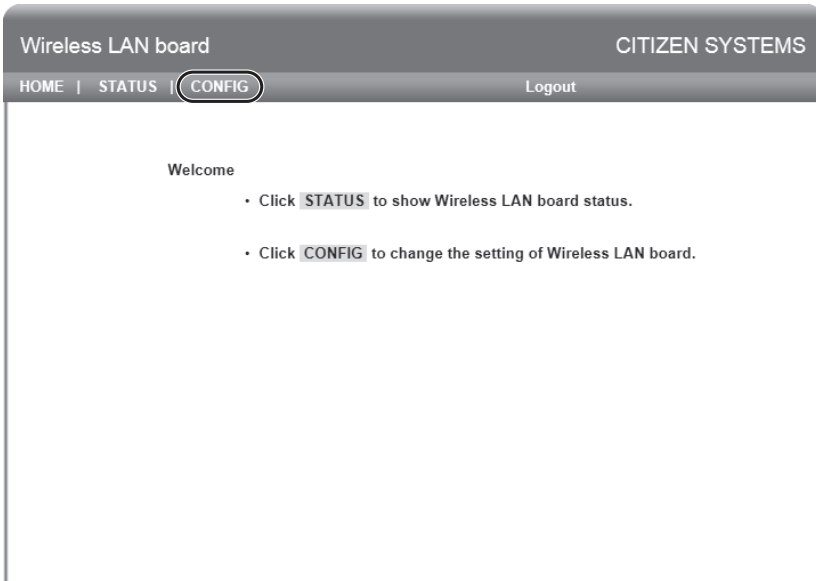
Starten des Web-Managers

1. Öffnen Sie einen Webbrowser.
2. Geben Sie in die Adressleiste die IP-Adresse der Schnittstellenkarte ein, und drücken Sie dann auf [Enter].



HOME-Bildschirm

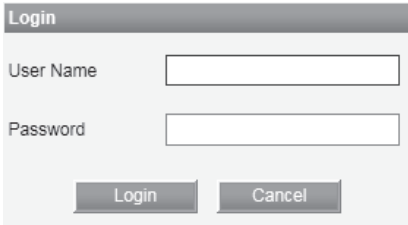
Dies ist der Startbildschirm des Web-Managers. Der folgende Bildschirm ist ein Beispiel für WLAN.



Drücken Sie hier auf [CONFIG].

CONFIG-Bildschirm

Damit wird das unten abgebildete Login-Dialogfeld angezeigt. Melden Sie sich als Administrator an und konfigurieren Sie dann die Einstellungen der Schnittstellenkarte.



The image shows a standard Windows-style dialog box titled "Login". It contains two text input fields, one labeled "User Name" and one labeled "Password". Below the input fields are two buttons: "Login" and "Cancel".

- **User Name**
Geben Sie den Administrator-Benutzernamen ein. (Voreinstellung: admin)
- **Password**
Geben Sie das Administrator-Kennwort ein. (Voreinstellung: admin)
- **[Login]-Schaltfläche**
Klicken Sie nach der Eingabe des Administrator-Benutzernamens und -kennworts auf die [Login]-Schaltfläche. Damit wird der Einstellungsbildschirm angezeigt.

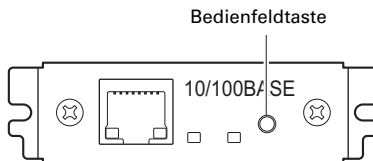
Weitere Einzelheiten zu den Einstellungen entnehmen Sie der separaten Anleitung.

3.6 Ethernet-Schnittstellenkarte (LAN) + USB-Schnittstellenkarte des vorherigen Modells

Dieser Abschnitt gibt einen Überblick über die Ethernet-Schnittstellenkarte (LAN). Weitere Einzelheiten zu dieser Schnittstelle entnehmen Sie der separaten Anleitung.

Bedienung der Bedienfeldtaste

Die Ethernet-Schnittstellenkarte wird über die Bedienfeldtaste bedient. Mithilfe dieser Taste können Setup-Informationen gedruckt werden und die Schnittstellenkarte auf ihre Werkseinstellungen zurückgesetzt werden.



- **Drucken von Netzwerk-Setupinformationen**
Drücken Sie auf die Bedienfeldtaste.
- **Aufrufen des Einstellungsmodus**
Halten Sie die Bedienfeldtaste gedrückt. Es wird ein Signalton* ausgegeben, der darauf verweist, dass in den Einstellungsmodus gewechselt wurde.
 - Im Einstellungsmodus können die Werkseinstellungen angezeigt und die Firmwareinformationen gedruckt werden.
 - Wenn Sie im Einstellungsmodus innerhalb von drei Sekunden keinen Bedienschritt vornehmen, verweist ein Signalton* darauf, dass zum normalen Modus zurückgekehrt wurde.

* Je nach Einstellung wird eventuell kein Signalton ausgegeben.
- **Zurücksetzen der Werkseinstellungen**
Wechseln Sie in den Schnittstellenkarten-Einstellungsmodus und halten Sie dann die Bedienfeldtaste gedrückt. Damit wird die Schnittstellenkarte auf ihre Werkseinstellungen zurückgesetzt.

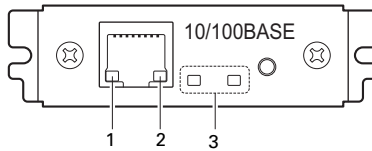


VORSICHT

- Die Schnittstellenkarte wird nach Abschluss des Vorgangs neu gestartet.
- Wenn die Einstellungen so konfiguriert wurden, dass eine IP-Adresse automatisch vom DHCP-Server bezogen wird, dann unterscheidet sich die neue IP-Adresse eventuell von der vorherigen.

LED-Funktionen

Die nachfolgende Tabelle erläutert die Bedeutung der LED-Anzeigen.



1. Netzwerkübertragungsgeschwindigkeit

Übertragungsgeschwindigkeit	LED (grün)
100 Mbit/s	Leuchtet
10 Mbit/s / Nicht verbunden	Leuchtet nicht

2. Netzwerkstatus

Status	LED (gelb)
Verbunden	Leuchtet
Nicht verbunden	Leuchtet nicht
Daten werden übertragen	Blinkt

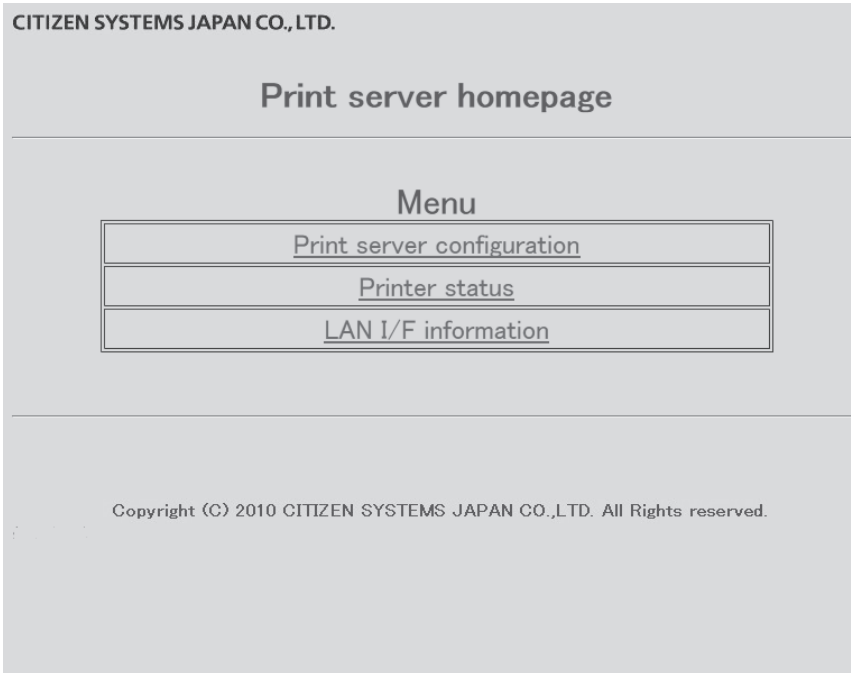
3. Status der Schnittstellenkarte

Status	LED (grün)	LED (rot)	Beschreibung
Keine Druckerverbindung	Leuchtet nicht	—	Die Schnittstellenkarte ist nicht mit dem Drucker verbunden.
Verbindung mit Drucker wird hergestellt	Leuchtet	—	Die Schnittstellenkarte ist mit dem Drucker verbunden.
Keine Netzwerkverbindung	—	Leuchtet nicht	Die Schnittstellenkarte ist nicht mit einem Netzwerk verbunden.
IP-Adresse wird bezogen	—	Blinkt (0,5-Sekunden-Intervall)	Es wird eine IP-Adresse vom DHCP-Server bezogen.
Mit Netzwerk verbunden	—	Leuchtet	Die Netzwerkverbindung ist hergestellt.
Ressourcenfehler	Blinkt (0,5-Sekunden-Intervall)		Die Schnittstellenkarte funktioniert nicht ordnungsgemäß.
Systemfehler	Blinkt (0,1-Sekunden-Intervall)		Die Schnittstellenkarte funktioniert nicht ordnungsgemäß.

Ändern der Netzwerkeinstellungen

Sie können mithilfe eines Webbrowsers eine Seite mit erweiterten Einstellungen öffnen, um die Einstellungen der Schnittstellenkarte zu überprüfen und zu ändern.

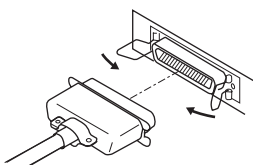
- Aufrufen der Seite mit den erweiterten Einstellungen
- 1. **Rufen Sie die URL der Seite mit den erweiterten Einstellungen mithilfe eines Webbrowsers auf. Geben Sie die dem Drucker zugewiesene IP-Adresse als URL ein. (Beispiel: Geben Sie für die IP-Adresse 169.254.1.10 Folgendes ein: http://169.254.1.10.)**
- 2. **Damit wird das Menü der Seite mit den erweiterten Einstellungen angezeigt.**



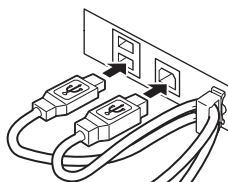
- 3. **Wählen Sie „Print server configuration“ aus, um den Einstellungsbildschirm anzuzeigen. Weitere Einzelheiten zu den Einstellungen entnehmen Sie der separaten Anleitung.**

3.7 Anschließen anderer Schnittstellenkabel

1. Schalten Sie das Gerät aus.
2. Richten Sie das Schnittstellenkabel richtig aus, und verbinden Sie es mit dem Schnittstellenanschluss.

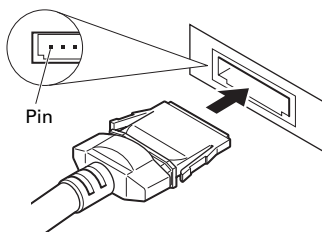


Parallele Schnittstelle



USB-Schnittstelle (Ausführung mit Hub)

Vorderansicht



Powered USB-Schnittstelle

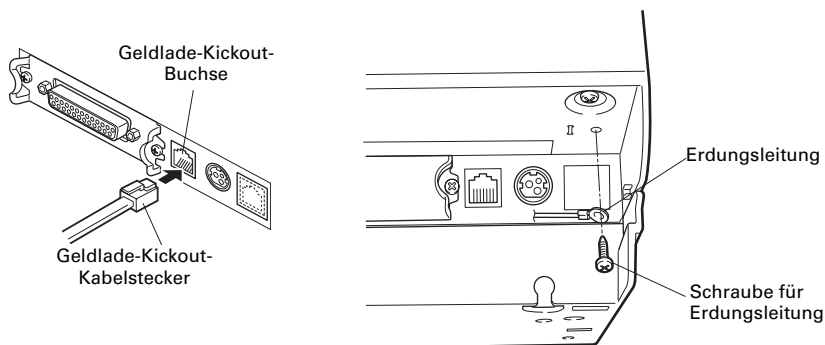


VORSICHT

- **Trennen Sie das Netzteil stets vom Drucker, bevor Sie den Drucker an eine Powered USB-Schnittstelle anschließen. Andernfalls könnte der Host-PC beschädigt werden. Informationen zur Installation einer Powered USB-Schnittstelle erhalten Sie von Ihrem Citizen-Systemhändler.**
- Überprüfen Sie vor dem Anschließen des Powered USB-Kabelsteckers, ob er korrekt ausgerichtet ist. Schieben Sie den Stecker geradlinig ein, damit sich seine Kontaktstifte nicht verbiegen. Der Stecker muss so weit eingeschoben werden, dass er hörbar einrastet.
- Fassen Sie das Kabel beim Abziehen stets direkt am Stecker an.
- Achten Sie darauf, dass das USB-Schnittstellenkabel nicht an die Geldlade-Kickout-Buchse angeschlossen wird.
- Wenn Sie mehrere Drucker per USB an einen einzelnen Computer anschließen möchten, müssen Sie eine USB-Schnittstelle mit anderer Seriennummer verwenden.

3.8 Anschließen der Geldlade

1. Schalten Sie das Gerät aus.
2. Achten Sie auf die richtige Ausrichtung des Geldlade-Kickout-Kabelsteckers und stecken Sie ihn in die Geldlade-Kickout-Buchse an der Rückseite des Druckers.
3. Entfernen Sie die Schraube für die Erdungsleitung.
4. Schrauben Sie die Erdungsleitung der Geldlade am Druckergehäuse fest.

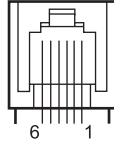


VORSICHT

- Schließen Sie ausschließlich den Geldlade-Kickout-Kabelstecker an die Geldlade-Kickout-Buchse an. (Schließen Sie kein Telefonkabel an.)
- Während des Druckvorgangs können keine Signale über die Geldlade-Kickout-Buchse ausgegeben werden.

(1) Pinbelegung der Buchse

Pin Nr.	Signal	Funktion
1	FG	Gehäusemasse
2	DRAWER1	Steuersignal Geldlade 1
3	DRSW	Geldlade-Schaltereingang
4	VDR	Stromversorgung für Geldladeantrieb
5	DRAWER2	Steuersignal Geldlade 2
6	GND	Signalmasse (gemeinsames Massepotenzial der Stromkreise)



Verwendete Buchse:
 TM5RJ3-66 (Hirose) oder
 äquivalent
 Benötigter Stecker:
 TM3P-66P (Hirose) oder
 äquivalent

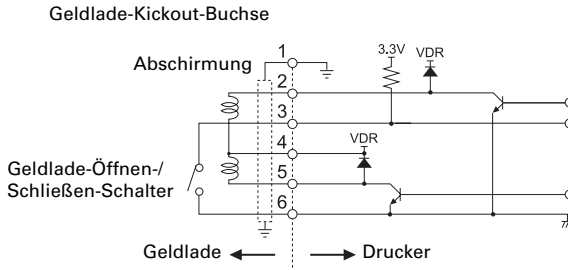
(2) Elektrische Eigenschaften

- 1) Antriebsspannung: 24 V Gleichspannung
- 2) Antriebsstrom: Ca. 1 A max. (maximale Dauer 510 ms)
- 3) DRSW-Signal: Signalpegel: „L“ = 0 bis 0,8 V, „H“ = 2 bis 3,3 V

(3) DRSW-Signal

Der DRSW-Signalstatus kann mit den Befehlen DLE+EOT, GS+a oder GS+r bzw. an Pin 34 des parallelen Schnittstellenanschlusses geprüft werden.

(4) Antriebsstromkreis

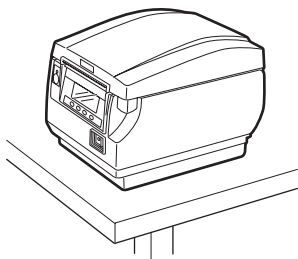


VORSICHT

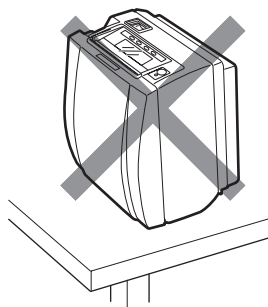
- Die Geldladen 1 und 2 können nicht gleichzeitig verwendet werden.
- Für die Geldlade ist ein Solenoid mit mindestens 24 Ω zu verwenden. Die Stromstärke darf 1 A nicht überschreiten. Eine zu hohe Stromstärke könnte zu Beschädigungen oder zum Durchbrennen der Stromkreise führen.

3.9 Hinweise zum Installieren des Druckers

Dieser Drucker darf nur horizontal aufgestellt werden. Vertikale Aufstellung oder Wandaufhängung sind nicht möglich.



Horizontale Ausrichtung



Vertikale Ausrichtung



VORSICHT

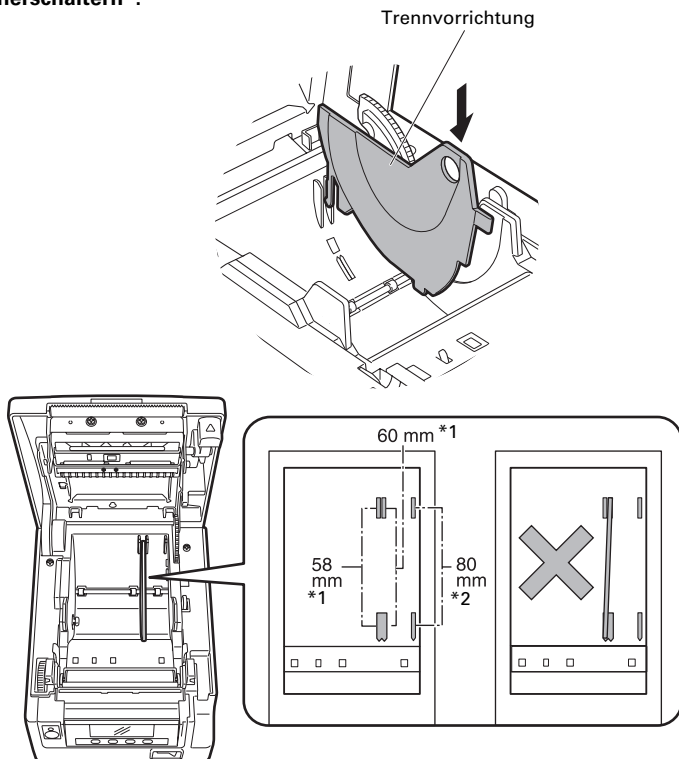
Unter folgenden Bedingungen darf der Drucker nicht verwendet werden:

- Standorte, die Vibrationen ausgesetzt oder instabil sind
- Stark verschmutzte oder sehr staubhaltige Standorte
- Standorte, an denen keine ebene Aufstellung des Druckers möglich ist:
 - **Der Drucker kann herunterfallen und Verletzungen verursachen.**
 - **Die Druckqualität kann sich verschlechtern.**
- Andere Ausrichtung als vorgeschrieben:
 - **Der Drucker kann Fehlfunktionen aufweisen, beschädigt werden oder Stromschläge verursachen.**

3.10 Trennvorrichtung für Papierrollen

Stellen Sie die Trennvorrichtung auf die Breite der eingelegten Papierrollen ein. Werksseitig ist die Trennvorrichtung auf die unten gezeigte Position eingestellt.

- Für 3-Zoll-Ausführung: Papierrolle mit 80 mm Breite
 - Für 2-Zoll-Ausführung: Papierrolle mit 58 mm Breite (2-Blatt-Trennvorrichtung installiert.)
1. Schalten Sie das Gerät aus.
 2. Drücken Sie den Abdeckung-Öffnen-Knopf oben, um die Papierabdeckung zu öffnen.
 3. Drücken Sie die Trennvorrichtung in Pfeilrichtung und lassen Sie sie in eine Kerbe einrasten, die der Breite der verwendeten Papierrolle entspricht. Hinweis: Wenn Papierrollen mit 83 mm Breite verwendet werden sollen, muss die Trennvorrichtung entfernt werden.
 4. Zum Ändern der Papierbreite-Einstellungen siehe „5.3 Manuelle Einstellung von Speicherschaltern“.



Hinweise:

*1: 2-Zoll-Ausführung (58/60 mm)

*2: 3-Zoll-Ausführung (80/83 mm)

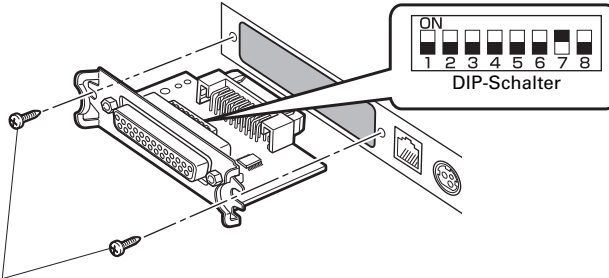


VORSICHT

Achten Sie darauf, dass sich die Trennvorrichtung beim Einstellen für 58-mm- oder 60-mm-Papierrollen nicht schräg stellt.

3.11 Einstellen des DIP-Schalters auf der seriellen Schnittstellenkarte

1. Schalten Sie den Drucker aus und trennen Sie das Netzkabel von der Steckdose.
2. Entfernen Sie die Befestigungsschrauben der seriellen Schnittstellenkarte.
3. Ziehen Sie die serielle Schnittstellenkarte aus dem Drucker heraus.
4. Nehmen Sie die DIP-Schalter-Einstellungen gemäß der folgenden Tabelle vor.



Befestigungsschrauben für serielle Schnittstellenkarte



VORSICHT

Entfernen Sie beim Einstellen des DIP-Schalters keine anderen Schrauben als die Befestigungsschrauben der seriellen Schnittstellenkarte.

Nachstehend finden Sie eine Funktionsbeschreibung der einzelnen Schalter. (Die werksseitigen Einstellungen sind schattiert dargestellt, können sich aber je nach Zielmarkt unterscheiden.)

Schalter Nr.	Funktion	ON	OFF
1	Einstellungen für das Kommunikationsverfahren	Gemäß DIP-Schalter-Einstellungen	Gemäß Speicherschalter-Einstellungen
2	Handshake	XON/XOFF	DTR/DSR
3	Bitlänge	7 Bit	8 Bit
4	Paritätsprüfung	Ja	Nein
5	Paritätsauswahl	Gerade Parität	Ungerade Parität
6	Baudraten-Auswahl	Siehe die folgende Tabelle.	
7			
8	INIT	Reset	Ungültig

Baudraten-Auswahl

Baudrate (bps)	Schalter Nr.	
	6	7
2400	OFF	OFF
4800	ON	OFF
9600	OFF	ON
19200	ON	ON

Wenn Schalter Nr. 1 auf AUS eingestellt ist, können Sie per Befehl oder Speicherschalter 1200, 38400, 57600 oder 115200 bps wählen.

3.12 Einstellen des Papiermengen-Sensors

Ändern Sie die Einstellung des Papiermengen-Sensors, um festzulegen, bei welcher Position ein zur Neige gehender Papiervorrat erkannt werden soll.

1. Drücken Sie mit einem spitzen Gegenstand, z. B. einem Kugelschreiber, vorsichtig auf den Knopf, um die Stellung des Papiermengen-Sensors anzupassen.
2. Halten Sie den Knopf eingedrückt und schieben Sie den Papiermengen-Sensor nach oben und unten, links und rechts. In der folgenden Tabelle sind die jeweils geeigneten Sensorpositionen für die verschiedenen Papierrollendurchmesser aufgeführt.

(Einheit: mm)

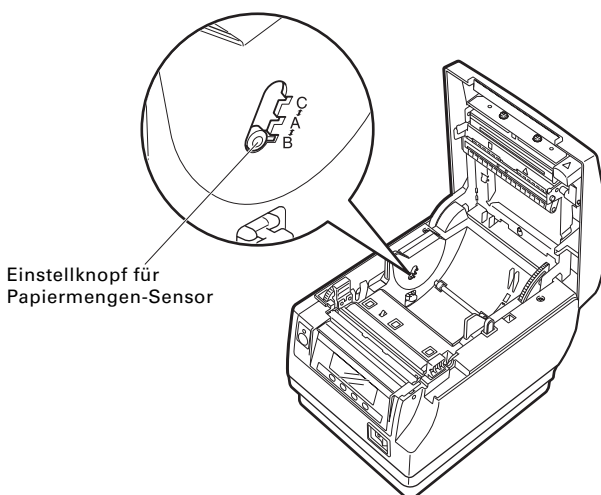
Sensorposition	Durchmesser, bei dem ein zur Neige gehender Papiervorrat erkannt wird	Kernaußendurchmesser der verwendeten Papierrolle
A	$\phi 31$	$\phi 18$
B*	$\phi 23$	$\phi 18$
C	Funktion des Papiermengen-Sensors ist deaktiviert.	

Hinweis:

*: Sensorposition beim Versand ab Werk. Die werksseitigen Voreinstellungen sind allerdings je nach Zielmarkt unterschiedlich.

VORSICHT

- Die Restpapiermenge auf der Rolle (Rollendurchmesser) ist von der verwendeten Papiersorte abhängig.
- Die Papierrollendurchmesser in der Tabelle sind Richtwerte.

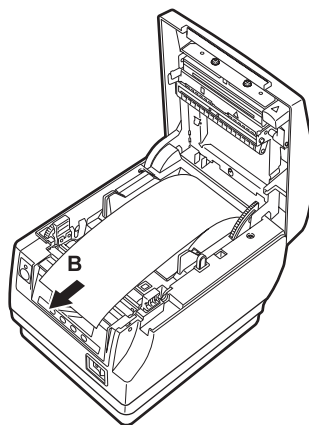
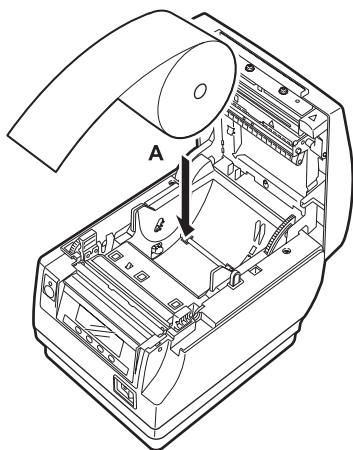
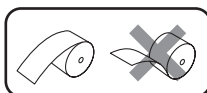


3.13 Einlegen von Papier

1. Schalten Sie das Gerät ein.
2. Drücken Sie den Abdeckung-Öffnen-Knopf oben, um die Papierabdeckung zu öffnen.
3. Legen Sie die Papierrolle so ein, dass die zu bedruckende Papierseite nach oben zeigt (Pfeil A).
4. Ziehen Sie das Papier einige Zentimeter weit geradlinig in Richtung von Pfeil B.
5. Schließen Sie die Papierabdeckung und lassen Sie sie hörbar einrasten. Das Papier wird automatisch vorgeschoben und abgeschnitten (Werkseinstellung).



Siehe 5.3 Manuelle Einstellung von Speicherschaltern



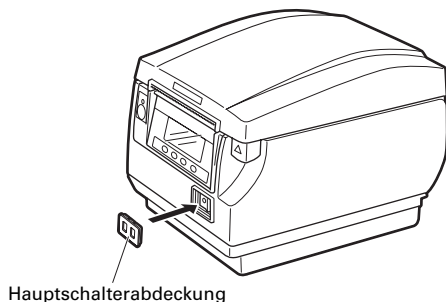
VORSICHT

- Verwenden Sie ausschließlich die angegebenen Papierrollentypen.
- Stellen Sie sicher, dass die Einstellung dem Papierrollentyp entspricht.
- Wenn das Papier schräg läuft und nicht gerade aus der Papierabdeckung ausgeschoben wird, öffnen Sie diese und richten Sie das Papier gerade aus.
- Ziehen Sie stets einige Zentimeter Papier geradlinig aus dem Drucker, wenn Sie die Papierabdeckung öffnen, während Papier eingelegt ist.
- Drücken Sie auf die Mitte der Papierabdeckung, um sie sicher zu schließen.
- Achten Sie darauf, sich beim Einlegen des Papiers nicht an den Papierkanten zu schneiden.
- Berühren Sie nicht den Druckkopf oder den manuellen oder automatischen Papierschneider, während die Papierabdeckung geöffnet ist. Dabei können Sie sich Brand- oder Schnittverletzungen zuziehen.

3.14 Anbringen der Hauptschalterabdeckung

Bringen Sie diese Abdeckung an, damit der Hauptschalter nicht betätigt werden kann.

1. **Drücken Sie die Hauptschalterabdeckung in das Hauptschalterfach ein, bis sie hörbar einrastet.**

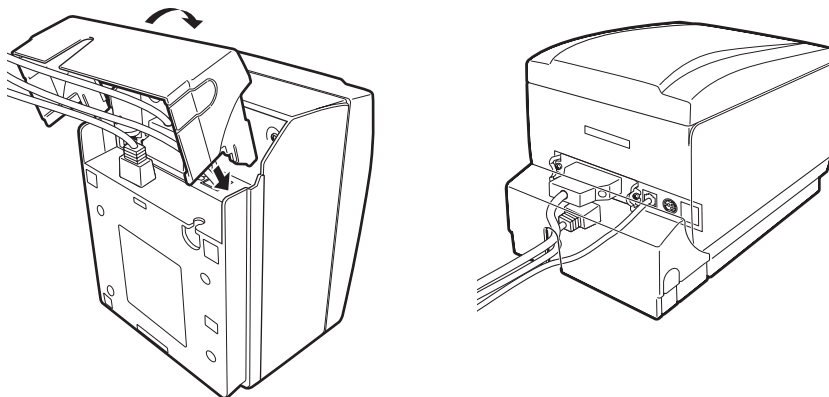


Führen Sie einen Schraubendreher oder einen anderen spitzen Gegenstand in die Vertiefungen in der Hauptschalterabdeckung ein, um sie wieder abzunehmen.

3.15 Anbringen der Schnittstellenabdeckung

Bringen Sie die Schnittstellenabdeckung an der Rückseite des Druckers an. Die Form der Schnittstellenabdeckung ist je nach Art der Stromversorgung unterschiedlich.

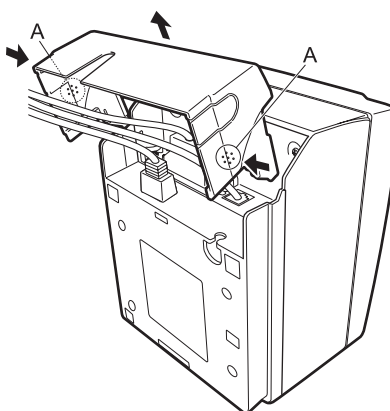
1. Drücken Sie die Schnittstellenabdeckung wie in der Abbildung gezeigt ein, bis sie hörbar einrastet.



CT-S851IIS

3.16 Entfernen der Schnittstellenabdeckung

Drücken Sie die Schnittstellenabdeckung beidseitig an den mit A bezeichneten Punkten zusammen, um sie abzunehmen.



CT-S851IIS

3.17 Download-Website für verschiedene elektronische Dateien

Auf der folgenden Website erhalten Sie weitere Support-Informationen und können die neuesten Dokumente, Treiber, Utilities usw. herunterladen.

<https://www.citizen-systems.co.jp/en/printer/download/#CT-S851II>

3.18 Vorsichtshinweise für die Erstellung von Anwendungen und praktische Nutzung

Erfolgt ein Druckvorgang direkt nach einem Teilschnitt und Abriss des Papiers, kann der Anfang des nächsten Ausdrucks eventuell verzerrt sein.

Wir empfehlen, nach dem Schneiden einen Papiervorschub um eine Zeile vorzunehmen, bevor der nächste Ausdruck erfolgt.

Bei der Verwendung einer seriellen Schnittstelle mit langsamer Datenübertragungsgeschwindigkeit können beim Drucken von Grafiken oder abgestuftem Text, die große Datenmengen erfordern, auf dem Ausdruck eventuell Streifen erscheinen.

Die USB-Schnittstellen sind eventuell anfällig für elektromagnetische Funkstörungen des Hosts oder der Umgebung.

Verwenden Sie in diesem Fall ein Kabel mit Ferritkernen an beiden Enden, das elektromagnetische Störungen sehr effektiv beseitigt.

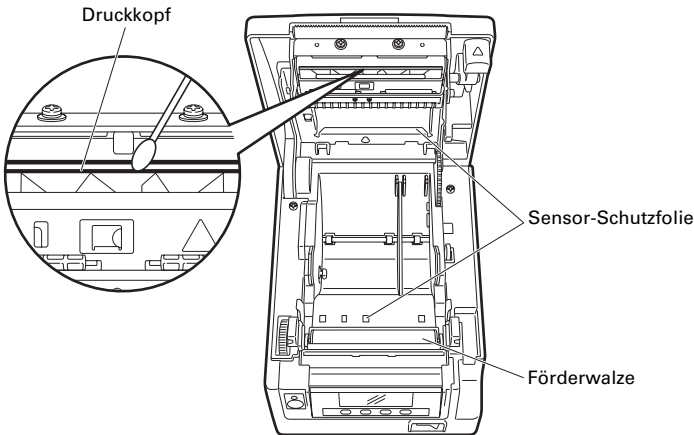
4. WARTUNG UND FEHLERBEHEBUNG

4.1 Regelmäßige Reinigung

Verschmutzungen am Druckkopf und auf der Förderwalze können zur Beeinträchtigung der Druckqualität führen und Funktionsstörungen bewirken. Wenn sich Papierstaub auf der Sensor-Schutzfolie ansammelt, ist keine korrekte Papiererkennung möglich. Wir empfehlen eine regelmäßige Reinigung des Druckers (alle 2 bis 3 Monate) gemäß der folgenden Anleitung.

1. **Schalten Sie das Gerät aus.**
2. **Drücken Sie den Abdeckung-Öffnen-Knopf oben, um die Papierabdeckung zu öffnen.**
3. **Lassen Sie den Druckkopf einige Minuten abkühlen.**
4. **Befeuchten Sie ein Wattestäbchen mit Ethylalkohol und wischen Sie alle Schmutz- und Staubablagerungen vom Druckkopf und von der Förderwalze ab.**
5. **Befeuchten Sie ein Wattestäbchen mit etwas Wasser und wischen Sie die Sensor-Schutzfolie ab.**

Vergewissern Sie sich vor dem Abwischen, dass sich am Wattestäbchen keine Wassertropfen befinden.

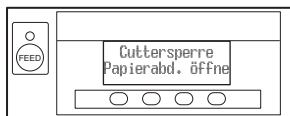


VORSICHT

- Unmittelbar nach dem Drucken ist der Druckkopf noch sehr heiß. Nicht berühren.
- Vermeiden Sie es, den Druckkopf mit bloßen Händen oder Metallgegenständen zu berühren.
- Verwenden Sie zum Reinigen der Sensor-Schutzfolie weder Alkohol noch Reinigungsmittel. Diese Stoffe könnten eine Trübung der Sensor-Schutzfolie bewirken.
- Beim Vollschnitt von Selbstklebeetiketten können Papierfetzen an der Förderwalze hängen bleiben; dies ist von der Einsatzumgebung des Druckers, vom Durchmesser der Papierrolle und von der Qualität der Rückseitenbeschichtung der Etiketten abhängig.

4.2 Beheben einer Cuttersperre (1)

In manchen Fällen wird die Meldung „Cuttersperre“ angezeigt, und das Messer des automatischen Papierschnaiders bleibt ausgefahren, da es durch einen Fremdkörper oder einen Papierstau blockiert wird.



Wenn „Cuttersperre“ angezeigt wird, müssen Sie die Blockierung des Papierschnaiders wie folgt beheben.

1. **Schalten Sie das Gerät ein.**
2. **Drücken Sie den Abdeckung-Öffnen-Knopf oben, um die Papierabdeckung zu öffnen.**
3. **Entfernen Sie das gestaute Papier sowie etwaige Papierfetzen. (Entnehmen Sie auch die in den Halter eingesetzte Papierrolle.)**
4. **Setzen Sie die Papierrolle wieder ein, und schließen Sie die Papierabdeckung.**



VORSICHT

- Unmittelbar nach dem Drucken ist der Druckkopf noch sehr heiß. Nicht berühren.
- Vermeiden Sie es, den Druckkopf mit bloßen Händen oder Metallgegenständen zu berühren.

Nachdem Sie die unter „Beheben einer Cuttersperre (1)“ beschriebenen Schritte durchgeführt und die Papierabdeckung geöffnet haben, führen Sie die unter „Beheben einer Cuttersperre (2)“ beschriebenen Schritte durch, falls das automatische Papierschneidemesser ausgefahren ist.



Siehe 4.3 Beheben einer Cuttersperre (2)

4.3 Beheben einer Cuttersperre (2)

Die Papierabdeckung lässt sich bei einer Blockierung des Papierschneidemessers öffnen, indem der Abdeckung-Öffnen-Knopf nach oben gedrückt wird. Wenn sich die Papierabdeckung auf diese Weise dennoch nicht öffnen lässt, gehen Sie wie folgt vor, um die Blockierung des Papierschnaiders zu beheben.

1. **Schalten Sie den Drucker aus und trennen Sie das Netzkabel von der Steckdose.**
2. **Drücken Sie den Abdeckung-Öffnen-Knopf nach oben, um die Papierabdeckung zu öffnen.**
3. **Betätigen Sie mit einem Stift o. ä. den Entriegelungsknopf für die vordere Abdeckung und schieben Sie gleichzeitig die vordere Abdeckung ca. 10 mm weit nach oben.**
4. **Drehen Sie die vordere Abdeckung in Richtung des Pfeils A nach vorne.**

5. **Heben Sie die Schutzfolie an und drehen Sie das Papierschneider-Zahnrad in Richtung des Pfeils B, um den automatischen Papierschneider in eine Stellung zu bringen, die das Öffnen der Papierabdeckung ermöglicht.**

Drehen Sie das Papierschneider-Zahnrad, bis sich das Messer des automatischen Papierschneiders in Richtung des Pfeils C zurückzieht. Falls sich das Messer des automatischen Papierschneiders nicht bewegt, wenn Sie das Papierschneider-Zahnrad in Richtung des Pfeils B drehen, versuchen Sie, das Zahnrad in die andere Richtung zu drehen.

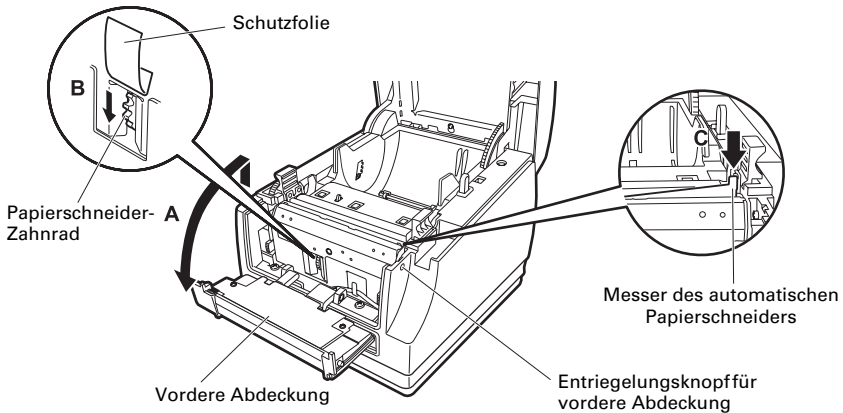
6. **Entfernen Sie die Ursache der Blockierung des Papierschneiders.**

7. **Schließen Sie die vordere Abdeckung.**

Drehen Sie die vordere Abdeckung entgegen der Richtung des Pfeils A und drücken Sie auf die Oberseite der vorderen Abdeckung, bis sie hörbar einrastet.

8. **Setzen Sie eine Papierrolle ein, und schließen Sie die Papierabdeckung.**

9. **Schließen Sie das Netzkabel an eine Steckdose an, und schalten Sie das Gerät ein.**
Vergewissern Sie sich, dass die LED grün aufleuchtet.



VORSICHT

- Vergewissern Sie sich vor der Durchführung von Wartungsarbeiten, dass der Drucker ausgeschaltet und das Netzkabel von der Steckdose getrennt ist.
- Achten Sie darauf, den manuellen Papierschneider bei geöffneter vorderer Abdeckung nicht zu berühren.
- Achten Sie darauf, die Öffnung für den automatischen Papierschneider bei geöffneter Papierabdeckung nicht zu berühren.
- Unmittelbar nach dem Drucken ist der Druckkopf noch sehr heiß. Nicht berühren.
- Vermeiden Sie es, den Druckkopf mit bloßen Händen oder Metallgegenständen zu berühren.
- Falls sich der automatische Papierschneider mit dem obigen Verfahren nicht zurückziehen lässt, wenden Sie sich an Ihren Citizen Systems-Fachhändler.

4.4 Funktionstest-Modus

Drücken und halten Sie Taste 1 und schalten Sie den Drucker ein, um den Funktionstest-Modus aufzurufen.

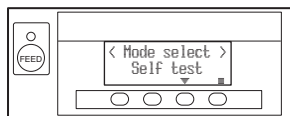
Mit Taste 3 (▼) können Sie eine Funktion anwählen und mit Taste 4 (■) die betreffende Funktion dann ausführen.

Alle Funktionen – außer dem Selbsttest und dem Ausdruck der Speicherschalter-Einstellungen – sind ausschließlich für Kundendienstmitarbeiter vorgesehen. Starten Sie diese Funktionen nicht selbst.

Selbsttest

1. Vergewissern Sie sich, dass Papier eingelegt ist. Drücken und halten Sie Taste 1, und schalten Sie das Gerät ein.

Der Funktionstest-Modus beginnt, und im LCD-Display wird „Self test“ angezeigt.



2. Drücken Sie Taste 4 (■).

Der Selbsttest beginnt. Der Drucker druckt seine Modellbezeichnung und Version, die DIP-Schalter-Einstellungen, die Speicherschalter-Einstellungen sowie eine Liste der eingebauten Schriftarten.

<pre> CT-S851II XXXX-XXXX 20XX-XX-XX PROG : BOT-XXX.XXX PRGA : TTF-XXX.XXX FONT : ANK-XXX.XXX FONT : XXX-XXX.XXX CONF : XXX-XX-X SUM : XXXX-XXXX Interface Type USB or Serial Serial Interface Baud rate : 9600 bps Data bit : 8 bits Parity : None Handshaking : DTR/DSR Buffer Size 4K Bytes </pre>	<p>Firmwareversion</p> <p>Schnittstelle</p> <p>Status der seriellen Kommunikation (Nur Modelle mit USB-Schnittstelle oder serieller Schnittstelle)</p> <p>Puffergröße</p>
---	---

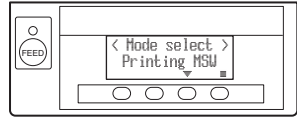
<pre> Dip switches DS1 1 2 3 4 5 6 7 8 ON 0 0 0 0 0 0 0 0 OFF 0 0 0 0 0 0 0 0 Memory switches SW1 1 2 3 4 5 6 7 8 ON 1 2 3 4 5 6 7 8 OFF 0 0 0 0 0 0 0 0 SW2 1 2 3 4 5 6 7 8 ON 0 0 0 0 0 0 0 0 OFF 0 0 0 0 0 0 0 0 SW3 1 2 3 4 5 6 7 8 ON 0 0 0 0 0 0 0 0 OFF 0 0 0 0 0 0 0 0 SW4 1 2 3 4 5 6 7 8 ON 0 0 0 0 0 0 0 0 OFF 0 0 0 0 0 0 0 0 </pre>	<p>DIP-Schalter-Einstellungen* (Nur Modelle mit USB-Schnittstelle oder serieller Schnittstelle)</p> <p>Speicherschalter-Einstellung</p>
---	---

Hinweis:

*: Drucker mit USB-Schnittstelle haben keine DIP-Schalter; daher werden im Selbsttest-Ausdruck alle DIP-Schalter als „Off“ dargestellt.

Drucken der Speicherschalter-Einstellungen

1. Vergewissern Sie sich, dass Papier eingelegt ist. Drücken und halten Sie Taste 1 und schalten Sie gleichzeitig das Gerät ein.
Der Funktionstest-Modus beginnt, und im LCD-Display wird „Self test“ angezeigt.
2. Drücken Sie Taste 3 (▼).
„Printing MSW“ wird auf dem LCD-Display angezeigt.
3. Drücken Sie Taste 4 (■).
Eine Liste der aktuellen Speicherschalter-Einstellungen wird ausgedruckt.



Zum Funktionstest-Modus gehören die folgenden Untermodi.

Funktion	Beschreibung
Self test	Startet den Selbsttest.
Printing MSW	Druckt die Speicherschalter-Einstellungen.
Quick Setting *	Stellt die Speicherschalter kompatibel zu bestimmten Modellen ein.

Hinweis:

*:Die Speicherschalter werden automatisch optimal eingestellt, wobei nur der Hersteller und das Modell des ausgetauschten Druckers angegeben werden muss.

Gewählte Option

Manufacturer	Model	Paper width	Character space
CITIZEN	CBM1000	58 mm	—
		80 mm	—
	CT-S300	58 mm	—
		80 mm	—
	CT-S2000	58 mm	—
		60 mm	—
		80 mm	—
EPSON	T88	58 mm	0dot
			1dot
		80 mm	0dot
			1dot
	203dpi	58 mm	—
		60 mm	—
		80 mm	—

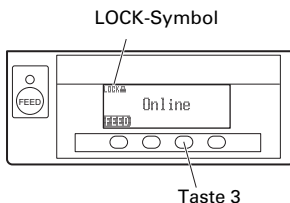


Automatische Einstellung der Speicherschalter

MSW2-4 Full Col Print	MSW3-7 CBM1000 Mode	MSW8-1 Print Width	MSW6-2 Character Space
LineFeed	Valid	432dots	—
LineFeed	Valid	576dots	—
WaitData	Invalid	384dots	—
WaitData	Invalid	576dots	—
LineFeed	Valid	432dots	—
LineFeed	Valid	436dots	—
LineFeed	Valid	576dots	—
LineFeed	Valid	640dots	—
WaitData	Invalid	360dots	0dot
WaitData	Invalid	390dots	1dot
WaitData	Invalid	512dots	0dot
WaitData	Invalid	546dots	1dot
WaitData	Invalid	420dots	—
WaitData	Invalid	436dots	—
WaitData	Invalid	576dots	—

4.5 Tastensperre-Funktion

Sie müssen die MENU-Taste bei eingeschaltetem Drucker drücken und gedrückt halten, um die Speicherschalter-Einstellungen ändern zu können. Aktivieren Sie anschließend die Tastensperre, um versehentlichen Änderungen vorzubeugen.



Aktivieren der Tastensperre

Zum Aktivieren der Tastensperre drücken und halten Sie die Taste 3 (mindestens drei Sekunden lang).

MENU verschwindet, und das Symbol LOCK wird angezeigt.

Bei dieser Einstellung ist es nicht möglich, den Modus zum Ändern der Speicherschalter-Einstellungen durch Drücken und Halten der MENU-Taste aufzurufen.

Aufheben der Tastensperre

Zum Deaktivieren der Tastensperre drücken und halten Sie die Taste 3 (mindestens drei Sekunden lang).

Das Symbol LOCK verschwindet, und MENU wird angezeigt.

4.6 Hexdump-Ausdruck

Die empfangenen Daten werden hexadezimal ausgedruckt. Wenn Probleme wie fehlende oder duplizierte Daten auftreten, können Sie mit dieser Funktion überprüfen, ob der Drucker die Daten korrekt empfängt.

Erstellen eines Hexdump-Ausdrucks

1. **Legen Sie Papier ein.**
2. **Öffnen Sie die Papierabdeckung. Drücken und halten Sie Taste 1, schalten Sie gleichzeitig das Gerät ein, und schließen Sie die Papierabdeckung. Der Hexdump-Druckmodus beginnt.**
3. **Der Drucker druckt die Zeichenfolge „HEX dump print mode“, die empfangenen Daten in Form von Hexadezimalzeichen sowie einige weitere Zeichen aus.**

Abbrechen eines Hexdump-Ausdrucks

Der Druckvorgang kann auf eine der folgenden Arten abgebrochen werden.

- Drücken Sie Taste 1 dreimal hintereinander.
- Schalten Sie das Gerät aus.
- Über eine der Schnittstellen trifft ein Reset-Befehl ein.



VORSICHT

- Wenn für einzelne Daten keine Zeichen verfügbar sind, wird für diese als Platzhalter „.“ gedruckt.
- Während der Erstellung eines Hexdump-Ausdrucks stehen keine Befehlsfunktionen zur Verfügung.
- Wenn die empfangenen Daten keine ganze Zeile ausfüllen, betätigen Sie die Taste 1, um einen Papiervorschub auszulösen.

Beispielausdruck

HEX dump print mode

```
61 62 63 64 65 66 67 0A 0D 0D 0D 0D abcdefg.....  
0D 0D 0D .....
```

4.7 Fehlermeldungen

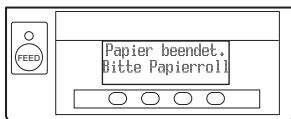
- **Papier beendet.**
Die Papierende-Erkennung arbeitet in zwei Stufen: wenig Papier und Papierende.
Wenn erkannt wird, dass der Papiervorrat zur Neige geht, erscheint „PAPER LOW“ im LCD-Display, und die LED leuchtet orange. Bereiten Sie eine neue Papierrolle vor.
Wenn erkannt wird, dass das Papier verbraucht ist, erscheint „Papier beendet.“ im LCD-Display, und die LED leuchtet rot. Setzen Sie eine neue Papierrolle ein.
- **Papierabd. offen**
Die Papierabdeckung darf während des Druckens nicht geöffnet werden. Wenn die Papierabdeckung geöffnet wird, leuchten die LED und das LCD-Display rot. Überprüfen Sie das Papier und ziehen Sie stets eine Zentimeter Papier geradlinig aus dem Drucker heraus, bevor Sie die Papierabdeckung wieder schließen. Der Druckvorgang wird fortgesetzt. Bei entsprechender Speicherschalter-Einstellung kann es erforderlich sein, einen Befehl zum Fortsetzen des Druckvorgangs zu senden.
- **Cuttersperre**
Wenn sich der automatische Papierschneider aufgrund eines Papierstaus oder aus anderen Gründen nicht bewegen kann, leuchten die LED und das LCD-Display rot. Beseitigen Sie die Fehlerursache, und betätigen Sie anschließend Taste 1 (FEED). Wenn der automatische Papierschneider anschließend noch immer nicht arbeitet und sich die Papierabdeckung nicht öffnen lässt, lesen Sie „4.3 Beheben einer Cuttersperre (2)“.



Siehe 4.3 Beheben einer Cuttersperre (2)

- **Kopf überhitzt**
Wenn Sie Text mit engem Zeichenabstand oder Grafiken mit hohem Schwarzanteil drucken oder der Druckvorgang in einer warmen Umgebung lange Zeit andauert, erhöht sich die Druckkopftemperatur. Wenn dabei ein bestimmter Temperaturwert überschritten wird, unterbricht der Drucker den Druckvorgang und wartet, bis der Druckkopf abgekühlt ist. Wenn dieser Zustand eintritt, leuchten die LED und das LCD-Display orange. Der Druckvorgang wird automatisch fortgesetzt, sobald der Druckkopf abgekühlt ist.

In der folgenden Tabelle sind verschiedene Fehlerzustände dargestellt. Die obere Zeile des LCD-Displays zeigt die Art des Fehlers an, die untere Zeile die Abhilfemaßnahme. Meldungen mit mehr als 16 Zeichen können durchgerollt werden.



Status	Meldung	LED	Hintergrundbeleuchtung	Signalton*2
Wenig Papier	PAPER LOW	Orange	—	Nein
Papierende	Papier beendet. Bitte Papierrolle ersetzen	Rot	Rot	Ja
Vordere Abdeckung offen	Vord. Abd. offen Bitte vordere Abd. schließen	Rot	—	Nein
Papierabdeckung offen	Papierabd. offen Bitte Papierabdeckung schließen	Rot	—	Nein
Papierschneider blockiert	Cuttersperre Papierabd. öffnen & Stau entf.	Rot	Rot	Ja
Schwarzmark-Fehler	Schwarzmarkfehl. Papier prüfen	Rot	Rot	Ja
Druckkopf zu heiß	Kopf überhitzt Bitte warten, wird fortgesetzt	Orange	—	Nein
Speicherfehler	Speicherfehler	Rot	—	Ja
Systemfehler	Systemfehler Bitte Händler informieren	Rot	Rot	Nein
Druckkopf-Fehler	Kopffehler Bitte Händler informieren	Rot	Rot	Ja
Motorfehler	Motorfehler Bitte Händler informieren	Rot	Rot	Ja
Unterspannungsfehler	N-Spannungsfehl. Bitte Händler informieren	Rot	Rot	Ja
Überspannungsfehler	H-Spannungsfehl. Bitte Händler informieren	Rot	Rot	Ja
Geldlade-Spannungsfehler	Einschubfehler Bitte Händler informieren	Rot	Rot	Ja
Makro-Abarbeitung wird abgewartet *1	Taste drücken -> Makroausführung	Blinkt grün	—	Nein

Hinweise:

*1: LED leuchtet eventuell, während das Makro abgearbeitet wird.

*2: Signalton ertönt, wenn MSW5-1 (Signalton-Einstellung) auf ON gesetzt ist. Beachten Sie jedoch, dass bei einigen Kombinationen der Einstellungen MSW5-1 und MSW10-5 der Signalton anderen Bedingungen unterliegt.

4.8 Papierstau

Achten Sie darauf, dass während des Druckvorgangs der Papierausgang nicht blockiert wird und keine Papierstaus um den Ausgabebereich auftreten.

Wenn das Papier nicht ausgegeben werden kann, rollt es sich eventuell auf der Förderwalze im Druckerinneren auf und kann einen Fehler verursachen.

Wenn sich das Papier um die Förderwalze wickelt, öffnen Sie die Papierabdeckung und ziehen Sie es vorsichtig heraus.

4.9 Vorsichtshinweise beim Betrieb der seriellen Schnittstelle

Bei der Verwendung der seriellen Schnittstelle können bestimmte Druckbedingungen dazu führen, dass im Ausdruck weiße Streifen und Zufuhrprobleme auftreten. Um diese Probleme zu vermeiden, ändern Sie die Speicherschalter-Einstellungen wie nachfolgend beschrieben.

1. **Ändern Sie MSW7-1 (serielle Baudrate) auf eine schnellere Baudrateneinstellung.**
2. **Ändern Sie MSW10-2 (Druckgeschwindigkeit) auf ein niedrigeres Niveau.**



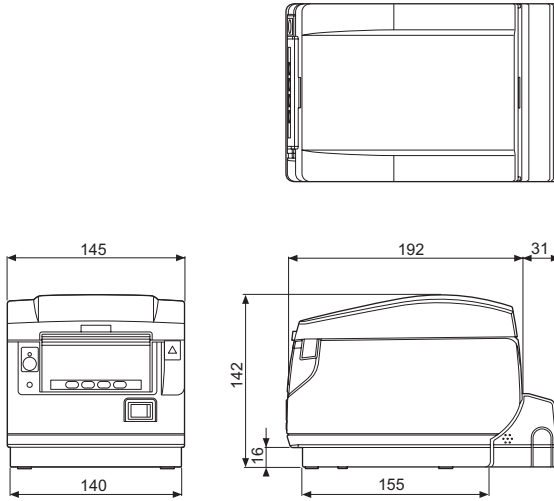
VORSICHT

Je nach der Übertragungsgeschwindigkeit der seriellen Schnittstelle, der Umgebungstemperatur, der Druckdatenmenge und anderer Faktoren wird das Ändern der obigen Einstellungen die Probleme nicht beheben.

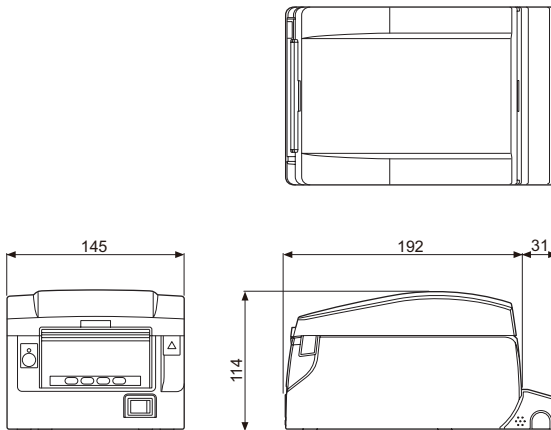
5. SONSTIGES

5.1 Äußere Ansicht und Abmessungen

(Einheit: mm)



Ausführung mit integriertem Netzgerät



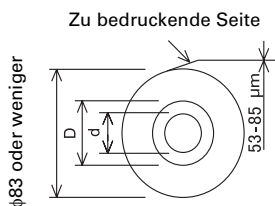
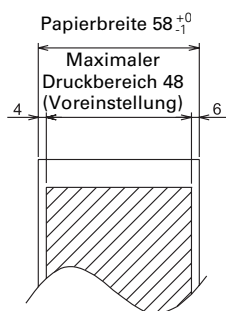
Ausführung mit Netzteil

5.2 Druckpapier

Verwenden Sie die in der nachstehenden Tabelle genannten Papiertypen oder Papier gleichwertiger Qualität.

Papiertyp	Produktbezeichnung
Empfohlenes Thermo-Rollenpapier	TF50KS-E2D, TF50KS-E oder TF60KS-E von Nippon Paper PD150R oder PD160R von Ohji Paper P220AG, HP220A, HP220AB-1, F230AA, P220AB oder PB670 (2-Farb-Papier) von Mitsubishi Paper

(Einheit: mm)



Papierdicke (μm)	53-75	75-85
Kerninnendurchmesser d (mm)	$\phi 12$	$\phi 25,4$
Kernaußendurchmesser D (mm)	$\phi 18$	$\phi 32$



VORSICHT

Das verwendete Papier muss wie folgt aufgerollt sein:

- Ohne Knicke und Falten, eng auf den Kern gewickelt.
- Nicht gefaltet.
- Nicht auf den Kern aufgeklebt.
- Mit der bedruckbaren Seite nach außen gewickelt.

5.3 Manuelle Einstellung von Speicherschaltern

Mit den Speicherschaltern können verschiedene Einstellungen für den Drucker festgelegt werden. Die Speicherschalter können manuell (von Hand am Drucker) oder durch Befehle eingestellt werden. In diesem Abschnitt wird die Durchführung der manuellen Einstellungen erläutert.

Die Speicherschalter-Einstellungen können entweder im Speicherschalter-Einstellmodus oder im virtuellen DIP-Schalter-Einstellmodus vorgenommen werden. Im Speicherschalter-Einstellmodus können Sie die Werte für MSW1 bis MSW13 festlegen. Im virtuellen DIP-Schalter-Einstellmodus können Sie die Werte für MSW1 bis MSW6 festlegen.

Informationen zum Einstellen der Speicherschalter über Befehle entnehmen Sie bitte der Befehlsreferenz.

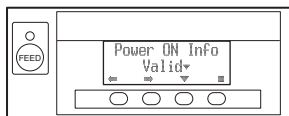
Die Vorgehensweise im Überblick

1. **Rufen Sie den Speicherschalter-Einstellmodus oder den virtuellen DIP-Schalter-Einstellmodus auf.**
2. **Nehmen Sie die erforderlichen Änderungen an den Einstellungen vor.**
3. **Rufen Sie das Menü zum Speichern der Einstellungen auf.**
4. **Speichern Sie die Einstellungen.**

Speicherschalter-Einstellmodus

Während „Online“ angezeigt wird, drücken und halten Sie mindestens zwei Sekunden lang Taste 4 (MENU). Oder: Vergewissern Sie sich, dass Papier eingelegt ist; drücken und halten Sie Taste 3 gedrückt, und schalten Sie gleichzeitig das Gerät ein.

Aktivieren Sie den Speicherschalter-Einstellmodus.

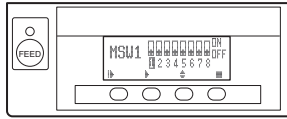


- Drücken Sie Taste 1 (◀) bzw. Taste 2 (▶) zur Anwahl der einzustellenden Optionen.
- Drücken Sie Taste 3 (▼), um einen Wert für die jeweils angewählte Option festzulegen.
- Drücken Sie Taste 4 (■), um das Menü zum Speichern der Einstellungen aufzurufen.
- **Zum Rücksetzen aller Speicherschalter auf die werksseitigen Voreinstellungen: Drücken Sie Taste 1, bis „Factory Setting /Set“ angezeigt wird (nach MSW13-6). Drücken und halten Sie Taste 4 mindestens zwei Sekunden lang. Alle Speicherschalter werden auf die werksseitigen Voreinstellungen zurückgesetzt.**

Virtueller DIP-Schalter-Einstellmodus

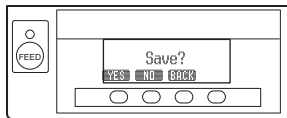
Vergewissern Sie sich, dass Papier eingelegt ist. Drücken und halten Sie Taste 2 und schalten Sie gleichzeitig das Gerät ein.

Virtueller DIP-Schalter-Einstellmodus



- Drücken Sie Taste 1 (▶), um eine Speicherschalter-Nummer auszuwählen. (Die Schalter werden in der folgenden Reihenfolge zyklisch durchgeschaltet: MSW1 → MSW2 → ... → MSW6 → MSW1)
- Drücken Sie Taste 2 (▶), um von Schalter 1 zu Schalter 8 zu wechseln. (Nach Schalter 8 springt die Auswahl wieder auf Schalter 1 zurück.)
- Drücken Sie Taste 3 (↕), um zwischen ON und OFF umzuschalten.
- Drücken Sie Taste 4 (■), um das Menü zum Speichern der Einstellungen aufzurufen.

Einstellungen-speichern-Menü



- Drücken Sie Taste 1 (YES), um die Einstellungen zu speichern und zur Anzeige „Online“ zurückzukehren.
- Drücken Sie Taste 2 (NO), um die Einstellungen nicht zu speichern und zur Anzeige „Online“ zurückzukehren.
- Drücken Sie Taste 3 (BACK), um zum vorherigen Modus zurückzukehren.

Nachstehend finden Sie eine Darstellung der einzelnen Speicherschalter.
(Die werksseitigen Einstellungen sind schattiert dargestellt.)

Schalter Nr.	Funktion	OFF	ON
MSW1-1	Power ON Info	Valid	Not Send
MSW1-2	Buffer Size	4K bytes	45 bytes
MSW1-3	Busy Condition	Full/Err	Full
MSW1-4	Receive Error	Print"?"	No Print
MSW1-5	CR Mode	Ignored	LF
MSW1-6	Reserved	Fixed	—
MSW1-7	DSR Signal	Invalid	Valid
MSW1-8	Init Signal	Invalid	Valid
MSW2-1	Reserved	—	Fixed
MSW2-2	Auto Cutter	Invalid	Valid
*1 MSW2-3	Spool Print	Invalid	Valid
MSW2-4	Full Col Print	LineFeed	WaitData
MSW2-5	Resume aft PE	Next	Top
MSW2-6	Reserved	Fixed	—
MSW2-7	Reserved	Fixed	—
MSW2-8	PNE Sensor	Valid	Invalid
MSW3-1	Resume Ctrr Err	Valid	Invalid
MSW3-2	PE signal by PNE	Valid	Invalid
MSW3-3	Parallel 31 Pin	Valid	Invalid
MSW3-4	Reserved	Fixed	—
MSW3-5	Reserved	Fixed	—
MSW3-6	Reserved	Fixed	—
MSW3-7	CBM1000 Mode	Invalid	Valid
MSW3-8	Resume Open Err	Close	Command
MSW4-1	Reserved	Fixed	—
*2 MSW4-1	P.Length Set	Auto Measure	Command
MSW4-2	Reserved	Fixed	—
*2 MSW4-2	Power on TOF	Invalid	Valid
MSW4-3	Feed&Cut at TOF	Invalid	Valid
*2 MSW4-3	Feed&Cut at TOF	Invalid	Valid
MSW4-4	Reserved	Fixed	—
*2 MSW4-4	Paper Select	Thermal Roll	BM P/Lbl P
MSW4-5	Reserved	Fixed	—
*2 MSW4-5	Position Detect	Black Mark	Label
MSW4-6	Reserved	Fixed	—
*2 MSW4-6	Measure at Close	Invalid	Valid
MSW4-7	Reserved	Fixed	—
MSW4-8	Partial Only	Invalid	Valid
MSW5-1	Buzzer	Valid	Invalid
MSW5-2	Line Pitch	1/360	1/406

Schalter Nr.	Funktion	OFF	ON
MSW5-3	USB Mode	Virtual COM	Printer Class
MSW5-4	Reserved	Fixed	—
MSW5-5	Gradation Quality	Quality	Speed
MSW5-6	Reserved	Fixed	—
MSW5-7	Reserved	Fixed	—
MSW5-8	Reserved	Fixed	—
MSW6-1	Act. For Driver	Invalid	Valid
MSW6-2	Character Space	Invalid	Valid
MSW6-3	USB Power Save	Invalid	Valid
MSW6-4	Reserved	Fixed	—
MSW6-5	Reserved	Fixed	—
MSW6-6	Reserved	Fixed	—
MSW6-7	Reserved	Fixed	—
MSW6-8	Reserved	Fixed	—

Schalter Nr.	Funktion	Voreinstellung	Einstellwert
*3 MSW7-1	Baud Rate	9600 bps	1200 bps, 2400 bps, 4800 bps, 9600 bps, 19200 bps, 38400 bps, 57600 bps, 115200 bps
*3 MSW7-2	Data Length	8bits	7bits, 8bits
MSW7-3	Stop Bit	1bit	1bit, 2bits
*3 MSW7-4	Parity	NONE	NONE, EVEN, ODD
*3 MSW7-5	Flow Control	DTR/DSR	DTR/DSR, XON/XOFF
MSW7-6	DMA Control	Valid	Valid, Invalid
MSW7-7	VCom Protocol	PC Setting	PC Setting, DTR/DSR, XON/XOFF
MSW8-1	Print Width	576dots	640 dots, 576 dots, 546 dots, 512 dots, 436 dots, 432 dots, 420 dots, 390 dots, 384 dots, 360 dots
MSW8-2	Paper Type	1 Color Normal	1 Color Normal, 2 Color Normal
MSW8-3	Top Margin	11mm	3mm, 4mm, 5mm, 6mm, 7mm, 8mm, 9mm, 10mm, 11mm
MSW8-4	Line Gap Reduce	Invalid	Invalid, 3/4, 2/3, 1/2, 1/3, 1/4, 1/5, ALL
MSW8-5	Reduced Char V/H	100% / 100%	100% / 100%, 75% / 100%, 50% / 100%, 100% / 75%, 75% / 75%, 50% / 75%
MSW8-6	Auto Side Shift	Invalid	Invalid, 1 dots, 2 dots, 3 dots, 4 dots, 5 dots, 6 dots, 7 dots
MSW8-7	Liner Free Mode	Invalid	Invalid, 1h, 6h, 12h, 18h, 24h, 5m, 10m, 15m, 20m, 30m
MSW9-1	Code Page	PC 437	PC 437, Katakana, PC 850, PC 858, PC 860, PC 863, PC 865, PC 852, PC 866, PC 857, WPC1252, Space page, PC 864, ThaiCode11 1Pass, ThaiCode11 3Pass, ThaiCode18 1Pass, ThaiCode18 3Pass, TCVN-3
MSW9-2	Int'Char Set	USA	USA, France, Germany, England, Denmark, Sweden, Italy, Spain, Japan, Norway, Denmark 2, Spain 2, Latin America, Korea, Croatia, China, Vietnam

Schalter Nr.	Funktion	Voreinstellung	Einstellwert
MSW9-4	Multi-byte Char	Invalid	JIS(JPN), SJIS:CP932 (JPN), SJIS:X0213(JPN), GB18030(CHN), KS Hanguk(KOR), EUC Hanguk(KOR), BIG5(TWN), Invalid
MSW9-6	LCD Language	English	English, Français, Deutsch, Italiano, Español, Japanese, Chinese
MSW9-7	LCD Ext. Char	Valid	Invalid, Valid
MSW9-8	LCD Auto Off	Never	Never, 30seconds, 5minutes
MSW10-1	Print Density	100 %	70 %, 75 %, 80 %, 85 %, 90 %, 95 %, 100 %, 105 %, 110 %, 115 %, 120 %, 125 %, 130 %, 135 %, 140 %
MSW10-2	Print Speed	Level 9	Level 1, Level 2, Level 3, Level 4, Level 5, Level 6, Level 7, Level 8, Level 9
MSW10-3	ACK Timing	Before Busy	Before Busy, Same Period, After Busy
MSW10-4	Old Command	Invalid	Invalid, CBM1, CBM2
MSW10-5	Buzzer Event	Not by C.Open	All Event/Error, Not by C.Open, Not by C.Open/PE
MSW10-6	Buzzer Sound	Tone 2	Tone 1, Tone 2, Tone 3, Tone 4
MSW10-7	Key Lock	Invalid	Invalid, Valid
MSW10-8	LCD Direction	Normal	Normal, Inverted
MSW13-1	Security/Target	Low/All	Low/All, Mid/All, Mid/Paired only, Hi/All, Hi/Paired only
MSW13-5	BT Device Scan	Discoverable	No Response, Discoverable
MSW13-6	Auto Reconnect	Valid	Invalid, Valid

Hinweise:

- *1: Wenn die Druckdaten eine sehr hohe Dichte aufweisen, der Druckkopf heiß ist, die Datenübertragung langsam ist oder bestimmte andere Umstände vorliegen, können der Antriebsmotor und der Druckvorgang vorübergehend aussetzen, so dass im Ausdruck weiße Streifen entstehen. Zum Drucken von Daten mit hoher Dichte sollten Sie daher MSW2-3 (Spool Print) auf ON setzen, um die Streifenbildung zu vermindern; allerdings erhöht sich dadurch die Vorlaufzeit vor dem Beginn des Druckvorgangs.
Bei einer seriellen Schnittstelle sollten Sie die Übertragungsgeschwindigkeit erhöhen, um einem Aussetzen des Motors vorzubeugen.
- *2: Modell für Schwarzmarkierungdruck
- *3: Die Einstellwerte für die Speicherschalter MSW7-X sind nur dann wirksam, wenn DIP-Schalter Nr. 1 auf OFF gestellt ist.

ITALIANO

PRECAUZIONI GENERALI

- Prima di utilizzare questo prodotto si prega di leggere completamente il presente manuale. Dopo aver letto il presente manuale, conservarlo in un luogo sicuro e di facile accesso per l'utilizzo futuro.
- Le informazioni contenute in questo documento sono soggette a modifiche senza preavviso.
- Nessuna parte di questo documento può essere riprodotta o trasferita senza il consenso scritto della Citizen Systems.
- Si prega di tener presente che Citizen Systems non è responsabile per eventuali problemi causati da omissioni, errori di scrittura o di stampa presenti in questo manuale.
- Citizen Systems non è responsabile per nessun problema causato dall'utilizzo di accessori o prodotti di consumo non indicati in questo manuale.
- Salvo diversamente specificato nel presente manuale, non svolgere senza autorizzazione operazioni di manutenzione, smontaggio o riparazione del prodotto.
- Citizen Systems non è responsabile per qualsiasi tipo di danno riconducibile al funzionamento/trattamento non corretto dell'apparecchiatura o all'utilizzo in ambienti non adeguati, specificati in questo manuale.
- I dati della stampante sono principalmente destinati ad un utilizzo temporaneo e non vengono memorizzati per un lungo periodo o in modo permanente.
Citizen Systems non è responsabile per eventuali danni o perdite di profitto derivanti dalla perdita di dati causata da incidenti, riparazioni, test o altro.
- Se si rilevano omissioni, errori o in caso di dubbi, contattare il proprio rivenditore Citizen Systems.
- Se si riscontrano pagine mancanti o inesattezze, contattare il proprio rivenditore Citizen Systems per la sostituzione.

L'uso dell'adesivo "Made for Apple" significa che un accessorio è stato progettato per essere collegato specificamente al prodotto o ai prodotti Apple indicati sull'adesivo ed è stato certificato dagli sviluppatori come conforme agli standard di performance Apple. Apple non è responsabile per il funzionamento di tale dispositivo o per la sua conformità agli standard di sicurezza e normativi.

L'uso di questo accessorio con un prodotto Apple potrebbe influire negativamente sulle prestazioni wireless.

- Apple, Apple TV, Apple Watch, iPad, iPad Air, iPad Pro, iPhone, and Lightning are trademarks of Apple Inc., registered in the U.S. and other countries. tvOS is a trademark of Apple Inc. The trademark "iPhone" is used in Japan with a license from Aiphone K.K.
- EPSON and ESC/POS are registered trademarks of Seiko Epson Corporation.
- QR Code is a registered trademark of DENSO WAVE INCORPORATED.
- Ethernet is a registered trademark of Fuji Xerox Corporation.
- Bluetooth® is a registered trademark of Bluetooth-SIG Inc.
- CITIZEN is a registered trademark of Citizen Watch Co., Ltd. Japan
- All other trademarks are the property of their respective owners.
- Citizen Systems use these trademarks in accordance with the license of relevant owners.

Copyright ©2019 by CITIZEN SYSTEMS JAPAN CO., LTD.

PRECAUZIONI DI SICUREZZA ..DA OSSERVARE RIGOROSAMENTE

Prima di utilizzare il prodotto per la prima volta, leggere attentamente le PRECAUZIONI DI SICUREZZA, l'uso improprio può causare incidenti (incendio, scariche elettriche e lesioni). Per evitare il rischio di lesioni ad operatori e a terzi o danni ad oggetti, nel presente manuale vengono usati speciali simboli di avvertenza per indicare i punti importanti che richiedono una stretta osservanza.

- Dopo aver letto il presente manuale, conservarlo in un luogo sicuro e di facile accesso per l'utilizzo futuro.
- Alcune delle descrizioni contenute in questo manuale potrebbero non essere rilevanti per alcuni modelli di stampante.

Quanto segue è la descrizione del livello di rischio e di danno che potrebbe verificarsi se la stampante non viene usata correttamente, ignorando le istruzioni fornite dai simboli di avvertenza.



AVVERTENZA

La mancata osservanza delle precauzioni indicate da questo simbolo potrebbe causare lesioni mortali o gravi.



ATTENZIONE

La mancata osservanza delle precauzioni indicate da questo simbolo potrebbe provocare lesioni personali o danni materiali.



Questo simbolo viene usato per richiamare l'attenzione su punti importanti.



Questo simbolo viene usato per richiamare l'attenzione sul pericolo di scosse elettriche o di danno elettrostatico.



Questo simbolo indica la necessità di scollegare la stampante dalla presa a muro.



Questo simbolo viene usato per indicare che l'alimentazione deve essere collegata a massa.



Questo simbolo è utilizzato per indicare le informazioni utili, quali procedure, istruzioni o altri dati simili.



Questo simbolo viene usato per indicare operazioni vietate.

PRECAUZIONI ALL'INSTALLAZIONE DELLA STAMPANTE



AVVERTENZA

- Non utilizzare o depositare questo prodotto in un luogo dove potrebbe essere esposto a:
 - * Fiamme o umidità.
 - * Luce solare diretta.
 - * Correnti d'aria calda o radiazioni provenienti da un dispositivo di riscaldamento.
 - * Aria salmastra o gas corrosivi.
 - * Ambiente mal ventilato.
 - * Reazioni chimiche di laboratorio.
 - * Olio, particelle di acciaio o polvere trasportati dall'aria.
 - * Elettricità statica o forti campi magnetici.
- **La mancata osservanza di queste avvertenze potrebbe causare guasti alla stampante, surriscaldamento, emissione di fumo, incendio o scariche elettriche.**



- Non lasciar cadere oggetti estranei e non versare liquidi all'interno della stampante. Inoltre, non depositare nessun oggetto sulla stampante.
- Non far cadere oggetti metallici come graffette, punti metallici o viti nella stampante.
- Evitare di collocare vasi da fiori, tazze o oggetti contenenti acqua sulla stampante.
- Attenzione a non versare caffè, bibite o qualsiasi altro tipo di liquido nella stampante.
- Non spruzzare sulla stampante insetticidi o qualsiasi altro liquido chimico.
- **Un oggetto estraneo metallico che si fa accidentalmente cadere sulla stampante può provocare il malfunzionamento della stessa, un incendio o scariche elettriche. Nel caso in cui si verificasse questa evenienza, spegnere immediatamente la stampante, staccarla dalla presa di alimentazione e chiamare il rivenditore locale Citizen Systems.**



Evitare di trattare la stampante nel modo seguente:

- Evitare che la stampante subisca urti violenti o forti sobbalzi (ad es. non salirvi sopra, farla cadere o urtarla).
- Non tentare di smontare o modificare la stampante.
- **Una non corretta procedura può causare danni alla stampante, surriscaldamento, emissione di fumo, incendio o scariche elettriche.**



- Installare, utilizzare o depositare la stampante fuori dalla portata dei bambini.
- **Gli apparecchi elettrici potrebbero provocare lesioni impreviste o incidenti se trattati o utilizzati non correttamente.**
- **Tenere il cavo di alimentazione e i cavi dei segnali fuori dalla portata dei bambini. Inoltre, ai bambini non dovrebbe essere permesso l'accesso alle parti interne della stampante.**
- **La busta di plastica con la quale è fornita la stampante deve essere tenuta lontano dalla portata dei bambini. Se indossata sul capo può provocare il soffocamento.**



ATTENZIONE

Non utilizzare la stampante nelle seguenti condizioni:

- Evitare luoghi soggetti a vibrazioni o instabilità.
- Evitare luoghi in cui la stampante non si trova perfettamente in piano.
- **La stampante può cadere e provocare lesioni.**
- **La qualità di stampa può peggiorare.**
- Non ostruire le aperture di sfogo dell'aria.
- Non depositare nessun oggetto sulla stampante.
- Non coprire o avvolgere la stampante in un panno o una coperta.
- **In tal caso si accumulerebbe calore che potrebbe deformare la cassa o provocare un incendio.**
- Non utilizzare la stampante vicino ad una radio o ad un televisore e non alimentarla dalla stessa presa utilizzata per questi apparecchi.
- Evitare di utilizzare la stampante collegata ad un cavo di interfaccia che non presenta alcuna protezione contro i disturbi. (Per le interconnessioni, utilizzare una coppia di cavi schermati o attorcigliati e nuclei in ferrite o altri dispositivi antidisturbo.)
- Evitare di usare la stampante con un dispositivo che rappresenti una forte fonte di rumore.
- **La stampante potrebbe avere un effetto negativo sulle trasmissioni radio o TV. In alcuni casi gli apparecchi elettrici potrebbero influenzare in modo negativo la stampante, causando errori nella trasmissione dei dati o comunque un malfunzionamento.**
- Se la stampante viene installata orientandola in modo diverso da quelli prescritti.
- **Si possono verificare guasti o scariche elettriche.**



- Collegare la stampante a massa.
- **Le dispersioni elettriche possono causare scosse.**
- Non collegare la massa della stampante ai seguenti punti:
 - * Tubazione del gas
 - **Potrebbe verificarsi un'esplosione di gas.**
 - * Linea telefonica
 - * Aste parafulmine
 - **In caso di fulmine, un forte picco di corrente potrebbe provocare incendi o scariche elettriche.**
 - * Tubazione dell'acqua
 - **Tubazioni idrauliche in plastica non devono essere utilizzate per la messa a terra. (Possono essere utilizzate solo quelle approvate dall'Acquedotto).**
- Prima di collegare/scollegare il cavo di massa alla/dalla stampante, staccare sempre la spina dalla presa di alimentazione.



PRECAUZIONI ALLA MANIPOLAZIONE DELLA STAMPANTE



AVVERTENZA

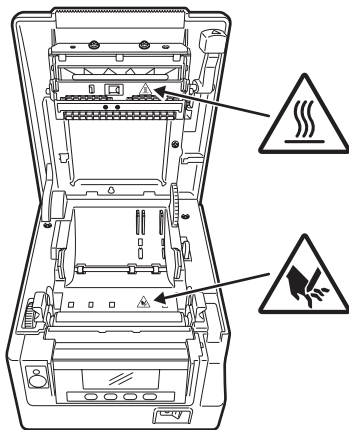
Osservare le seguenti precauzioni per l'alimentazione ed il cavo di alimentazione:

- Non collegare o scollegare il cavo di alimentazione con le mani bagnate.
- Utilizzare la stampante solo con la tensione e la frequenza di alimentazione specificate.
- Usare solo l'adattatore c.a. specificato per la stampante.
- Assicurarsi che la presa di alimentazione alla quale è collegata la stampante abbia una potenza sufficiente.
- Non alimentare la stampante da una basetta di alimentazione o da una presa di corrente condivisa con altri apparecchi.
- Non collegare il cavo di alimentazione ad una presa elettrica se ci sono polvere o detriti sulla spina.
- Non cercare di modificare il cavo di alimentazione.
- Non spostare la stampante mentre è accesa.
- **Se non si maneggia la stampante correttamente si possono causare guasti, surriscaldamento con emissione di fumo, incendio o scariche elettriche.**
- **Un sovraccarico può provocare il surriscaldamento del cavo di alimentazione e la stampante prendere fuoco causando lo scatto dell'interruttore di sicurezza.**
- Assicurarsi che non ci siano oggetti sul cavo di alimentazione. Non mettere la stampante in un luogo dove il cavo di alimentazione può essere calpestato.
- Non usare o trasportare la stampante con il cavo di alimentazione piegato, attorcigliato o tirato.
- Non cercare di modificare il cavo di alimentazione.
- Non posare il cavo di alimentazione vicino a un elemento riscaldante.
- **La mancata osservanza di queste precauzioni può causare la rottura dei fili o l'interruzione dell'isolamento, con conseguenti dispersioni di corrente, scariche elettriche o cattivo funzionamento della stampante. Se il cavo di alimentazione è danneggiato, si prega di contattare il rivenditore Citizen Systems.**
- Non dimenticare oggetti attorno alla presa di alimentazione.
- Collegare la stampante ad una presa di alimentazione sistemata in un punto facilmente accessibile in caso di emergenza.
- **In caso di emergenza, estrarre la spina per spegnerla immediatamente.**
- Inserire la spina di alimentazione a fondo nella presa.
- Se la stampante non deve essere utilizzata per un lungo periodo, staccarla dalla presa elettrica.
- Tenere la presa ed il connettore quando si effettua il collegamento o scollegamento del cavo di c.a. o del cavo di segnali dopo avere scollegato la stampante e l'apparecchio collegato ad essa.



ATTENZIONE

L'etichetta di avvertenza è posizionata come mostrato in figura. Prima di utilizzare la stampante, leggere attentamente le precauzioni per l'uso.

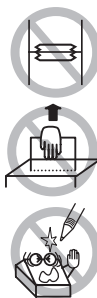


QUESTA ETICHETTA INDICA IL RISCHIO DI USTIONE PER VIA DELLE ALTE TEMPERATURE PRESENTI SULLA TESTINA DI STAMPA E IL RISCHIO DI FERIRSI CON LA TAGLIERINA MANUALE E AUTOMATICA QUANDO IL COPERCHIO DELLA CARTA È APERTO.

- Non trasportare questa stampante con il rotolo di carta dentro.
- **Si possono verificare guasti o danneggiamenti.**

Per evitare i problemi di funzionamento o eventuali guasti, osservate quanto segue:

- Non aprire il coperchio carta durante la stampa.
- Evitare di fare funzionare la stampante senza il rotolo di carta correttamente caricato.
- Evitare l'impiego di carta non conforme alle specifiche.
- **La stampa potrebbe risultare di scarsa qualità.**
- Evitare l'utilizzo di fogli di carta strappati o giuntati con nastro adesivo in plastica.
- Evitare l'estrazione forzata a mano di carta già inserita.
- Evitare l'utilizzo di uno strumento appuntito o affilato per azionare i pulsanti del pannello.



- Assicurarsi che i connettori dei cavi siano saldamente inseriti nelle relative presa.
- **Un collegamento errato potrebbe danneggiare la parte elettronica interna o l'hardware dell'host.**
- Alla stampante, deve essere collegato un solenoide di apertura cassetto compatibile con le specifiche indicate nel manuale.
- **La mancata osservanza di questa precauzione potrebbe provocare un malfunzionamento o un guasto.**



ATTENZIONE

Per evitare lesioni o danni, seguire le seguenti istruzioni:

- Quando il coperchio della carta è aperto, attenzione a non toccare la taglierina manuale che si trova nella fessura di espulsione carta.
 - Non toccare la superficie di stampa della testina termica.
 - Non toccare le parti mobili (ad es. la taglierina, gli ingranaggi, le parti elettriche attive) quando la stampante è in uso.
 - In caso di problemi non cercare di riparare la stampante. Affidarla al servizio di Citizen Systems per la riparazione.
 - Fate attenzione che i coperchi non pizzichino le mani o le dita.
 - Attenzione ai bordi taglienti della stampante. Si rischia di ferirsi o causare danni materiali.
- **Ciò potrebbe causare scariche elettriche, bruciature o lesioni.**



Se la stampante emette fumo, odori strani o rumori inconsueti durante la stampa, interrompere immediatamente la stampa in corso e scollegare la stampante dalla presa di alimentazione.

MANUTENZIONE QUOTIDIANA

Osservate le precauzioni seguenti per la manutenzione quotidiana:

- Prima di pulire la stampante, spegnerla sempre e staccarla dalla presa elettrica.
- Utilizzare uno straccio morbido e secco per pulire la superficie della cassa della stampante.
Per le macchie persistenti, utilizzare uno straccio morbido leggermente imbevuto d'acqua.
Non pulire la stampante con solventi organici come alcol, diluente per vernice, trielina, benzene o chetone. Non utilizzare mai panni di pulizia trattati chimicamente.
- Per togliere la polvere di carta, utilizzare una spazzola morbida.



ATTENZIONE

- **Immediatamente dopo l'utilizzo, la testina termica rimane ad una temperatura pericolosamente elevata. Lasciare raffreddare prima di iniziare la manutenzione.**

SOMMARIO

1. DESCRIZIONE GENERALE	9
1.1 Caratteristiche	9
1.2 Rimozione dell'imballo.....	10
1.3 Classificazione dei modelli.....	10
1.4 Specifiche di base.....	11
2. SPIEGAZIONE DEI COMPONENTI DELLA STAMPANTE	13
2.1 Aspetto esterno della stampante	13
2.2 All'interno del coperchio carta	16
2.3 Altre funzioni integrate.....	17
3. CONFIGURAZIONE	19
3.1 Collegamento del cavo di alimentazione CA.....	19
3.2 Scheda di interfaccia seriale	20
3.3 Scheda di interfaccia USB.....	21
3.4 Scheda d'interfaccia Bluetooth.....	22
3.5 Scheda di interfaccia Ethernet (LAN)/Wireless LAN	24
3.6 Modello precedente Ethernet (LAN) + scheda di interfaccia USB...	29
3.7 Collegamento di altri cavi di interfaccia	32
3.8 Collegamento del cassetto-cassa	33
3.9 Precauzioni per l'installazione della stampante	35
3.10 Divisorio per il rotolo di carta	36
3.11 Configurazione del DIP-switch sulla scheda dell'interfaccia seriale.....	37
3.12 Regolazione del sensore di quasi-fine carta	38
3.13 Caricamento carta.....	39
3.14 Applicazione del coperchio interruttore d'accensione	40
3.15 Applicazione del coperchio interfaccia	41
3.16 Rimozione del coperchio interfaccia	41
3.17 Sito per il download di file utili.....	42
3.18 Precauzioni per la creazioni di applicazioni e funzioni pratiche ...	42
4. MANUTENZIONE E ASSISTENZA	43
4.1 Pulizia periodica	43
4.2 Rimozione del blocco del dispositivo di taglio (1)	44
4.3 Rimozione del blocco del dispositivo di taglio (2)	44
4.4 Modalità di prova di funzionamento	46
4.5 Funzione blocco tasto.....	48
4.6 Stampa della copia del contenuto memoria esadecimale	49
4.7 Messaggi di errore.....	50
4.8 Inceppamenti carta	52
4.9 Precauzioni di funzionamento interfaccia seriale	52
5. ALTRO.....	53
5.1 Viste e dimensioni esterne.....	53
5.2 Carta per la stampa	54
5.3 Impostazione manuale dei memory switch	55

1. DESCRIZIONE GENERALE

La serie di stampanti termiche a righe di punti CT-S851II è ideata per un'ampia gamma di terminali per dati, POS e uso casalingo.

Queste stampanti sono dotate di molteplici funzioni, pertanto possono essere utilizzate in una vasta gamma di applicazioni.

1.1 Caratteristiche

- Stampa ad alta velocità (300 mm/s)
- La struttura estremamente compatta ne consente l'installazione praticamente ovunque (dimensione max. rotolo di carta 83 mm (3 pollici))
- La struttura impermeabile impedisce l'infiltrazione di acqua attraverso la parte superiore
- La carta è espulsa dalla parte anteriore per cui la stampante può essere installata in spazi ristretti
- Si può scegliere tra due modelli, uno con rotoli di carta da 83/80 mm (3 pollici) o uno con rotoli di carta da 60/58 mm (2 pollici) di larghezza
- È disponibile sia l'alimentazione integrata che quella tramite adattatore CA
- Lo stato e gli errori della stampante sono segnalati tramite LCD, LED e un cicalino
- L'unità LCD e quattro pulsanti permettono di cambiare le impostazioni in modo semplice
- Dotazione di dispositivo di taglio rapido e silenzioso
- Inceppamenti dispositivo di taglio di facile rimozione
- Alimentazione USB OFF
- Interfaccia intercambiabile
- Per l'interfaccia LAN cablata è prevista una funzione host USB in grado di controllare le periferiche.
- Interfaccia di estrazione del cassetto-cassa incorporato
- Personalizzazione possibile tramite memory switch (microinterruttore di memoria)
- Memorizzazione dei caratteri e dei loghi definiti dall'utente nella memoria utente
- Supporto di stampa per codice a barre e codice a barre 2D
- Scala di grigi a 16 livelli e stampa chiara
- Funzioni di risparmio carta
- Giapponese Kanji, Cinese (semplificato e tradizionale) e Hangul supportati
- Driver di stampa e software compreso
- Supporto alla comunicazione Bluetooth certificato Apple MFi (modello Bluetooth)
- Alcuni modelli supportano la carta con segno nero

1.2 Rimozione dell'imballo

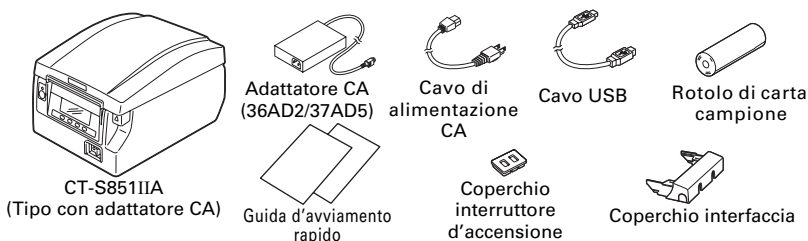
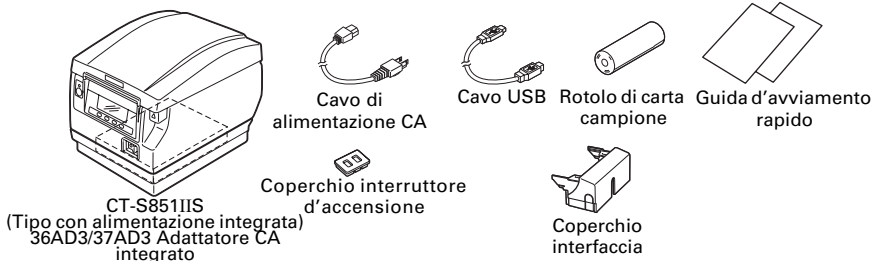
Accertarsi che la confezione della stampante contenga i seguenti particolari.

- Stampante: 1
- Coperchio interfaccia: 1
- Cavo di alimentazione CA: 1
- Coperchio interruttore d'accensione: 1
- Rotolo di carta campione: 1 rotolo
- Guida d'avviamento rapido: 2
- Adattatore CA*1: 1
- Cavo USB*2: 1

Note:

*1: solo CT-S851IIA

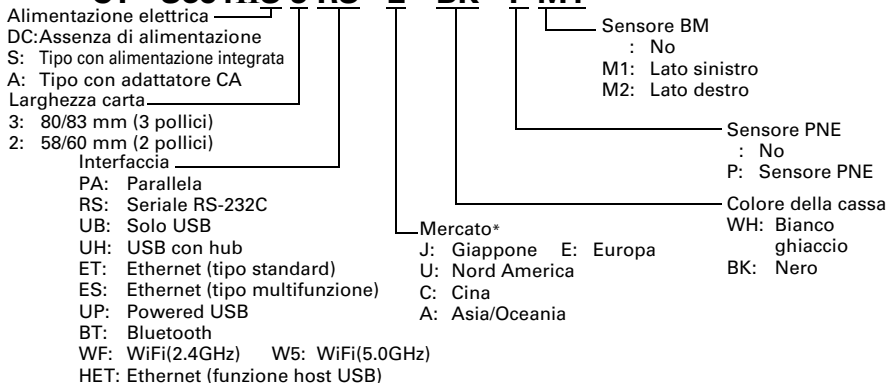
*2: solo tipologie con interfaccia USB
Solo per alcuni mercati



1.3 Classificazione dei modelli

I numeri dei modelli indicano le funzioni della stampante in base al seguente sistema.

CT - S851IIS 3 RS E - BK - P M1



Alcune combinazioni potrebbero non essere disponibili. Controllare anticipatamente contattando Citizen.

Nota:

*: Cavo di alimentazione CA, vite per seriale I/F, firmware ed altre specifiche possono variare a seconda dei mercati.

1.4 Specifiche di base

Voce	Caratteristiche					
Modello	CT-S851II					
Metodo di stampa	Metodo di stampa termica a righe di punti					
Larghezza di stampa *1	80 mm/640 punti, 72 mm/576 punti, 64 mm/512 punti, 54,5 mm/436 punti, 54 mm/432 punti, 52,5 mm/420 punti, 48 mm/384 punti, 45 mm/360 punti, 48,75 mm/390 punti, 68,25 mm/546 punti					
Densità punti	8 × 8 punti/mm (203 dpi)					
Velocità di stampa	300 mm/sec. (massima, densità di stampa 100%, 2400 linee di punti/sec.)					
Numero di colonne di stampa *2	—	Numero massimo di caratteri (colonne)				Configurazione punti (punti)
	Larghezza carta	83 mm	80 mm	60 mm	58 mm	
	Font					
	Font A	53	48	36	35	
	Font B	71	64	48	46	
Font C	80	72	54	52	8 × 16	
Dimensione carattere*3	Font A: 1,50 × 3,00 mm Font B: 1,13 × 3,00 mm Font C: 1,00 × 2,00 mm					
Tipo di caratteri	Alfanumerico, internazionale, PC437/850/852/857/858/860/863/864/865/866, WPC1252, katakana, ThaiCode 11/18 (1Pass/3Pass), TCVN-3					
Display a cristalli liquidi (LCD)	Cristalli liquidi STN 128 × 32 punti, retroilluminazione a LED bianca/rossa					
Memoria utente	384 KB (in grado di memorizzare caratteri e loghi definiti dall'utente)					
Tipi con codice a barre	UPC-A/E, JAN (EAN) 13/8 colonne, ITF, CODE39, CODE128, CODABAR (NW-7), CODE93, PDF417, QR Code, GS1-Databar					
Spaziatura	4,23 mm (1/6 pollice) (cambiabile tramite comandi)					
Rotolo di carta	Rotolo di carta: 83 ⁺⁰ ₋₁ mm/80 ⁺⁰ ₋₁ mm/60 ⁺⁰ ₋₁ mm/58 ⁺⁰ ₋₁ mm × max. φ83 mm Spessore carta: da 65 a 75 μm (diametro dell'anima interna del rotolo: interno 12 mm/esterno 18 mm) da 75 a 85 μm (diametro dell'anima interna del rotolo: interno 25,4 mm/esterno 32 mm)					
Interfaccia	Seriale (conforme a RS-232C), parallela (conforme a IEEE 1284), USB, USB con hub, Ethernet, Powered USB, Bluetooth(3.0), wireless LAN (802.11b/g o 802.11a/b/g/n), LAN(funzione host USB) (porta USB 2)					
Estrazione del cassetto-cassa	Supporta 2 cassette-cassa					
Dimensione buffer	4 k bytes/45 bytes					
Tensione di alimentazione	CC 24 V ±5%					
Consumo di corrente	Circa 45 W (stampa normale), 3 W (standby)					
Adattatore CA *4 (36AD2/3, 37AD3/5)	Entrata nominale: 100 a 240 V CA, 50/60 Hz, 150 VA Uscita nominale: 24 V CC, 2,1 A					

Voce	Caratteristiche
Peso	CT-S851IIS: circa 1,9 kg, CT-S851IIIA: circa 1,5 kg
Dimensioni esterne	CT-S851IIS: 145 (L) × 192 (D) × 142 (H) mm CT-S851IIIA: 145 (L) × 192 (D) × 114 (H) mm
Temperatura ed umidità operative	5 a 45°C, 10 a 90% UR (senza condensa)
Temperatura ed umidità di immagazzinamento	-20 a 60°C, 10 a 90% UR (senza condensa)
Affidabilità	Durata della testina di stampa: 150 km, 200 milioni di impulsi (a temperatura e umidità normale e usando la carta consigliata) Durata del meccanismo di taglio automatico: 2 milioni di tagli (taglio completo), 1,6 milioni di tagli (taglio parziale) (a temperatura e umidità normale e usando la carta e lo spessore di carta consigliati)
Standard di sicurezza *5	UL, cUL, FCC, IC, CE, UKCA *

*: Contattarci per informazioni su altre regioni e sullo stato più recente, come i numeri standard.

Note:

*1: Quando la larghezza della carta è di 83, 80, 60 o 58 mm.

*2: Il numero di colonne stampabili può essere scelto con un memory switch (microinterruttore di memoria).

Il numero di colonne indicate in questa tabella si riferisce a modelli tipici. Il numero di colonne varia a seconda delle caratteristiche tecniche.

*3: I caratteri appaiono piccoli perché le dimensioni comprendono lo spazio vuoto che circonda ogni carattere.

*4: Il 36AD2/37AD5 è l'adattatore CA confezionato come accessorio con il modello CT-S851IIIA.

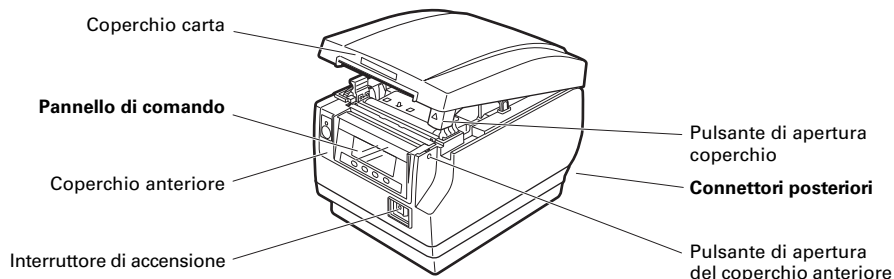
Il 36AD3/37AD3 è l'adattatore CA integrato nel modello CT-S851IIS.

*5: Conforme se si utilizza un adattatore CA Citizen Systems (36AD2/3, 37AD3/5).

2. SPIEGAZIONE DEI COMPONENTI DELLA STAMPANTE

2.1 Aspetto esterno della stampante

Denominazione dei componenti



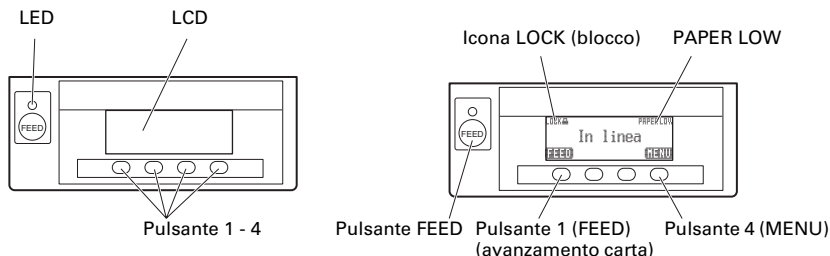
- Coperchio carta
Aprire per caricare la carta.
- Pulsante di apertura coperchio
Per aprire il coperchio carta utilizzare questo pulsante.
- Coperchio anteriore
Aprire/chiedere questo coperchio per eliminare un blocco del dispositivo di taglio.



Vedere 4.3 Rimozione del blocco del dispositivo di taglio (2)

- Pulsante di apertura del coperchio anteriore
Premere questo pulsante per aprire il coperchio anteriore.
- Interruttore di accensione
Premere questo interruttore per l'accensione e lo spegnimento.

Pannello di comando



Alcuni esempi sono riportati nello schema LCD in alto a destra.

- **LCD**
Segnala lo stato della stampante, le denominazioni dei pulsanti, i tipi di errore e i messaggi.
- **LED**
Si illumina di verde quando la stampante è accesa, si spegne quando la stampante non è più alimentata.
Lampeggia con luce verde durante la ricezione di dati.
Si illumina di rosso quando sono attive modalità speciali e in caso di errore.
Si illumina d'arancione quando la carta sta per finire (carta quasi finita) o la testina di stampa è calda.
- **Pulsante 1 - 4**
Le funzioni assegnate a questi pulsanti variano in base alla modalità attivata. I pulsanti sotto il LCD sono chiamati rispettivamente pulsante 1, pulsante 2, pulsante 3 e pulsante 4 nella sequenza da sinistra a destra.
- **Pulsante FEED**
Premere questo pulsante per fare avanzare la carta.
Per rilasciare il blocco del dispositivo di taglio, eliminare la causa del problema, chiudere il coperchio carta e premere il pulsante FEED.



Vedere 4.7 Messaggi di errore

- **Pulsante MENU**
Tener premuto questo pulsante (per almeno due secondi) per accedere alla modalità di configurazione dei memory switch.



Vedere 5.3 Impostazione manuale dei memory switch

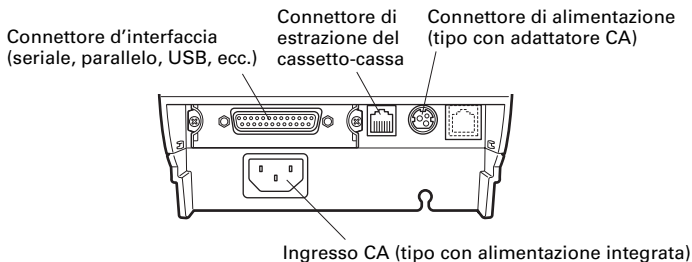
- **PAPER LOW**
Compare quando il rotolo di carta sta per terminare.

- Icona LOCK (blocco)
Questa icona indica che il pulsante MENU non è in funzione.



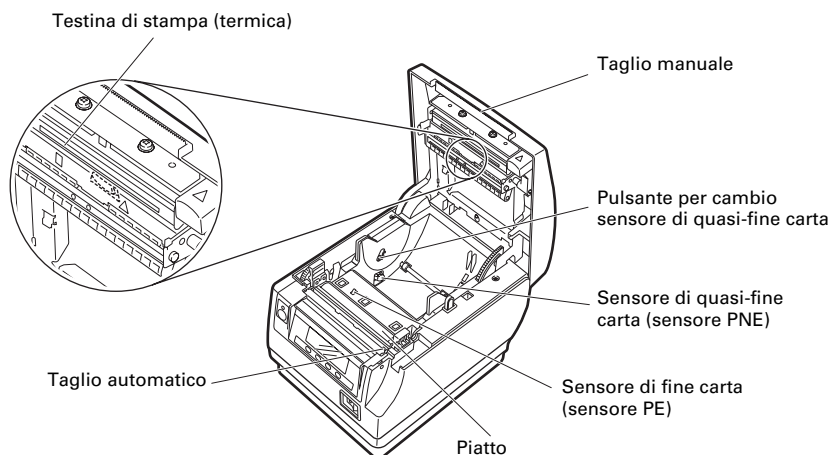
Vedere 4.5 Funzione blocco tasto

Connettori posteriori



- Connettore d'interfaccia (seriale, parallela, USB, ecc.)
Si collega al cavo d'interfaccia.
La scheda d'interfaccia seriale è dotata di un DIP-switch.
- Connettore di estrazione del cassetto-cassa
Si collega al cavo proveniente dal cassetto-cassa.
- Connettore di alimentazione (tipo con adattatore CA)
Si collega al cavo dall'adattatore CA.
- Ingresso CA (tipo con alimentazione integrata)
Si collega al cavo di alimentazione CA.

2.2 All'interno del coperchio carta



- **Piatto**
Fa avanzare la carta.
Non rimuovere il piatto se non per effettuare la manutenzione.
- **Sensore di quasi-fine carta (sensore PNE)**
Rileva quando il rotolo di carta sta per terminare. Regolare la posizione del sensore per sapere quando esso rileva l'approssimarsi della fine della carta.
- **Pulsante per cambio sensore di quasi-fine carta**
Cambiare la posizione del sensore di quasi-fine carta per confrontare la carta utilizzata.



Vedere 3.12 Regolazione del sensore di quasi-fine carta

- **Taglio manuale**
Per tagliare la carta manualmente alla fine della stampa.
- **Taglio automatico**
Taglia automaticamente la carta alla fine della stampa.



Vedere 5.3 Impostazione manuale dei memory switch

- **Testina di stampa (termica)**
Stampa i caratteri e/o i dati grafici sulla carta (rotoli di carta).

- Sensore di fine carta (sensore PE)
Rileva quando non c'è più carta. La stampa si interrompe quando questo sensore rileva la mancanza della carta.

2.3 Altre funzioni integrate

- Cicalino
Suona quando si verificano errori o quando vengono effettuate operazioni o operazioni di comando.



Vedere 4.7 Messaggi di errore

- Memoria utente
In questa memoria si possono salvare loghi e caratteri definiti dall'utente. I dati restano salvati in questa memoria anche se la stampante viene spenta. Per maggiori informazioni su come salvare i dati, vedere Riferimento Comandi.
- Memory switch
L'impostazione dei vari tipi di funzioni può essere salvata in memoria. Le impostazioni restano salvate in memoria anche se la stampante viene spenta.
- Alimentazione USB OFF (se memory switch MSW6-3 è impostato su ON)
Quando la stampante è collegata a un PC tramite USB; disattivando l'alimentazione del PC o interrompendo la connessione USB si provoca la disattivazione dell'alimentazione della stampante USB con uno scarto di tre secondi.
Questa modalità è annullata quando si riaccende il PC o quando si stabilisce una connessione USB.



ATTENZIONE

- Il POWER LED è spento quando l'alimentazione USB è OFF e non è possibile identificare lo stato di alimentazione disattivata (OFF).
- Premendo POWER mentre l'alimentazione USB è OFF non serve per spegnere immediatamente l'alimentazione. Dopo qualche secondo, la disattivazione (OFF) dell'alimentazione USB viene annullata e premendo POWER si accende normalmente l'alimentazione.

- **Funzioni di risparmio carta**
I memory switch da MSW8-3 a MSW8-5 possono essere utilizzati per configurare le seguenti impostazioni per risparmiare carta.
 - **Eliminazione margine superiore**
La stampante riporta indietro la carta prima di stampare riducendo lo spazio bianco sul bordo superiore della carta.
Si può specificare quanto margine di carta riportare indietro.
 - **Line gap reduce**
Comprime automaticamente lo spazio tra le righe. Si può specificare il rapporto di compressione.
 - **Compressione testo verticale/orizzontale**
Riduce le dimensioni di stampa.
La quantità di compressione è specificata tramite una combinazione di rapporti di compressione verticali e orizzontali.

- **Funzione scorrimento punto (MSW8-6)**
Questa funzione dissipa il calore durante la generazione frequente di calore in caso di riga orientata verticalmente o di altro specifico elemento di riscaldamento testina.
Se non si ricevono dati entro 15 secondi dopo ogni taglio o stampa, la posizione di stampa viene slittata automaticamente di N* punti a destra. La posizione di stampa originaria viene ripresa in corrispondenza della sincronizzazione di slittamento successivo.
* N è il valore di impostazione di MSW8-6.



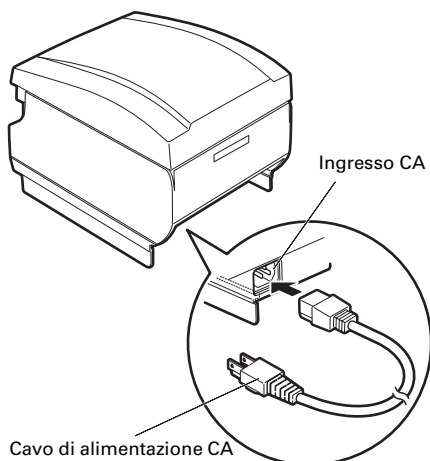
ATTENZIONE

- Prima di configurare l'impostazione di compressione margine superiore, togliere innanzitutto qualsiasi documento con taglio parziale dalla stampante. Altrimenti la carta tagliata verrà strappata durante la procedura di stampa successiva, provocando problemi alla stampante.
- Quando si utilizza la compressione del testo si devono adottare le seguenti precauzioni.
 - **Il testo compresso è più difficile da leggere rispetto al testo originario.**
 - **La compressione orizzontale del testo riduce l'intervallo di stampa per cui il numero delle righe di stampa non cambia. Prestare estrema attenzione all'intervallo di stampa se si usa carta stretta.**
 - **Non usare testo compresso quando si stampa un codice a barre. In caso contrario, il codice a barre potrebbe essere illeggibile.**
- Se il margine destro è troppo stretto, alcuni caratteri di stampa potrebbero essere tagliati via. Questa funzione è disabilitata nelle impostazioni di stampa. Per attivare questa funzione, utilizzare MSW8-6 per specificare un valore appropriato per la quantità di scorrimento massimo.

3. CONFIGURAZIONE

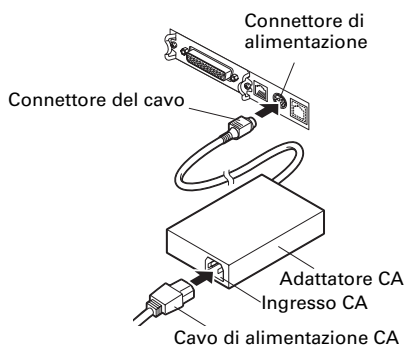
3.1 Collegamento del cavo di alimentazione CA

1. Spegnerne la stampante.
2. ● Per la stampante con alimentazione di corrente incorporata, collegare il cavo di alimentazione CA all'ingresso CA e inserire la spina nella presa elettrica.
● Per la stampante con adattatore CA, collegare il connettore del cavo dell'adattatore CA al connettore di alimentazione. Quindi, collegare il cavo di alimentazione CA all'ingresso CA e inserire la spina nella presa elettrica.



Cavo di alimentazione CA

Tipo con alimentazione integrata



Tipo con adattatore CA



ATTENZIONE

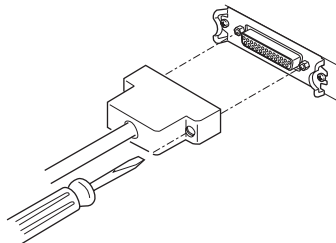
- Utilizzare solo l'adattatore CA conforme ai valori nominali prescritti.
- Durante il distacco o l'inserimento del cavo dell'adattatore CA utilizzare esclusivamente il connettore (non il filo).
- Utilizzare una fonte di alimentazione CA che non stia già alimentando apparecchiature che producono disturbi elettromagnetici.
- Non tirare il cavo di alimentazione CA per evitare di danneggiarlo con possibili rischi d'incendio, scariche elettriche o rotture di fili.
- Se si sta avvicinando un temporale, staccare il cavo di alimentazione CA dalla presa elettrica. Un colpo di fulmine può provocare un incendio o causare scosse.
- Tenere il cavo di alimentazione CA lontano da apparecchi che producono riscaldamento. Il rivestimento del cavo di alimentazione CA potrebbe fondere, provocando un incendio o scariche elettriche.
- Se la stampante non deve essere utilizzata per un lungo periodo, staccare il cavo di alimentazione CA dalla presa elettrica.
- Sistemare il cavo di alimentazione CA in modo che nessuno possa calpestarlo.
- Per la stampante con adattatore CA, scollegare sempre il cavo di alimentazione CA quando si collega il connettore del cavo al connettore di alimentazione. Se si lascia il cavo di alimentazione CA inserito nella presa elettrica, i terminali 24 V e GND del connettore del cavo possono entrare in contatto con la testa della vite o altre parti metalliche e causare un cortocircuito, con conseguente malfunzionamento dell'adattatore CA.

3.2 Scheda di interfaccia seriale

Lo scambio di dati può avvenire mediante comunicazione seriale.

Collegamento dei cavi di interfaccia

1. **Spegnere la stampante.**
2. **Orientare correttamente il cavo d'interfaccia ed inserirlo nel relativo connettore.**



3. **Inserire l'altro connettore saldamente nella porta di interfaccia del computer host.**

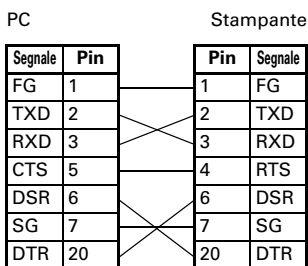


ATTENZIONE

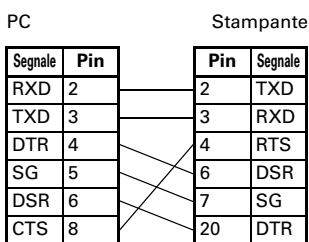
- Quando si scollega il cavo, afferrarlo sempre per il connettore.
- Sistemare il cavo d'interfaccia in modo che nessuno possa calpestarlo.

Utilizzare un cavo d'interfaccia seriale con un tipo di collegamento come quello seguente.

Cavo 25 pin - 25 pin



Cavo 9 pin - 25 pin



3.3 Scheda di interfaccia USB

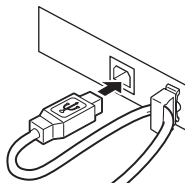
Lo scambio di dati può avvenire mediante comunicazione USB.

Specifiche

Standard	Conforme alle specifiche USB 2.0
Velocità di comunicazione	Supporta il trasferimento a 12 Mbps (velocità totale)

Collegamento dei cavi di interfaccia

1. **Spegnere la stampante.**
2. **Orientare correttamente il cavo d'interfaccia ed inserirlo nel relativo connettore.**



3. **Inserire l'altro connettore saldamente nella porta di interfaccia del computer host.**

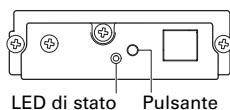


ATTENZIONE

- Quando si scollega il cavo, afferrarlo sempre per il connettore.
- Sistemare il cavo d'interfaccia in modo che nessuno possa calpestarlo.
- Fare attenzione a non inserire il cavo d'interfaccia USB nel connettore di estrazione del cassetto-cassa.
- Per collegare più di una stampante ad un unico computer tramite interfaccia USB, si deve cambiare il numero di serie dell'interfaccia USB.

3.4 Scheda d'interfaccia Bluetooth

LED di stato Bluetooth



Il LED sulla scheda d'interfaccia Bluetooth sul retro della stampante indica il seguente stato.

Stato	Descrizione	Stato LED
Standby di rilevamento (individuabile)	Standby per rilevamento e collegamento	
Standby di connessione (collegabile)	Standby per collegamento	
Connessione iOS	Sessione dati non aperta	
In comunicazione	iOS: sessione dati aperta Altro SO: collegamento stabilito e comunicazione in corso	
Errore	Errore o impostazioni in configurazione	Spento

Operazione di sincronizzazione

Si devono svolgere le procedure riportate di seguito quando si stabilisce per la prima volta una connessione Bluetooth per la comunicazione di dati Bluetooth.

A: Rilevare dispositivi Bluetooth

B: Configurare impostazioni di sincronizzazione

A: Rilevare dispositivi Bluetooth

Confermare che il Bluetooth sia attivato sul PC host prima di effettuare la ricerca di dispositivi Bluetooth.

Questo prodotto apparirà come "CT-S851II_XX" (XX corrisponde alle ultime 2 cifre dell'numero unico serie) quando è rilevato.

Selezionare questo prodotto tra i dispositivi rilevati.

Nota: si possono ricercare dispositivi e modificare i nomi.

Se memory switch MSW13-5 è impostato su "No Response" al rilevamento di dispositivi non apparirà nulla.

Si può commutare temporaneamente questa impostazione su rilevamento dispositivo (modalità rilevamento) premendo il pulsante sulla scheda d'interfaccia Bluetooth. Si esce dalla modalità di rilevamento quando la connessione con il PC host è conclusa.

B: Configurare impostazioni di sincronizzazione

Di norma, selezionando la stampante durante il rilevamento dispositivo si passa direttamente alle impostazioni di sincronizzazione.



ATTENZIONE

Alcune configurazioni e modelli di PC host non passano direttamente alle impostazioni di sincronizzazione dopo aver selezionato la stampante durante il rilevamento dispositivo.

La procedura richiesta per configurare le impostazioni di sincronizzazione dipende dal fatto se SSP (secure simple pairing) è attivata sul PC host.

Se SSP è abilitata sul PC host, si può effettuare la sincronizzazione senza operazioni aggiuntive.

Se SSP è disabilitata sul PC host, verrà richiesta l'immissione di una chiave di accesso.

Digitare la chiave di accesso come descritto di seguito.

Chiave di accesso Ultime quattro cifre dell'indirizzo stampato automaticamente
(Le lettere da A ad F sono maiuscole)

Esempio: se l'indirizzo è 01:23:45:67:89:AB

la chiave di accesso è 89AB.

Se si eliminano le informazioni di sincronizzazione dal PC host senza eliminare le corrispondenti informazioni di sincronizzazione sulla stampante, la stampante potrebbe non mostrare se si rilevano di nuovo dispositivi con il PC host.

Per eliminare le informazioni di sincronizzazione della stampante, tenere premuto l'interruttore sulla scheda d'interfaccia Bluetooth per due o più secondi.

Eliminando le informazioni di sincronizzazione sulla stampante, questa entrerà in modalità di individuazione.

Richiesta di ri-connessione

In caso di comunicazione Bluetooth di dispositivo iOS, una connessione tra dispositivo iOS sincronizzato e stampante non è ripristinata automaticamente dopo essere stata interrotta. Tuttavia, se la richiesta di ri-connessione è attivata, la stampante tenta di riconnettersi al dispositivo iOS dopo che la comunicazione a due vie è stata abilitata e ripristina automaticamente la connessione.



ATTENZIONE

Questa funzione è abilitata all'uscita dalla fabbrica. (MSW13-6)

La richiesta di ri-connessione può richiedere del tempo per connettersi se l'host non è un dispositivo iOS.

■ Anche se il dispositivo iOS è il dispositivo interlocutore, le seguenti condizioni possono interferire con la funzione di richiesta di ri-connessione.

• **Se si desidera interrompere la comunicazione Bluetooth al termine della stampa**

• **Quando ci sono vari dispositivi iOS che stampano con la stessa stampante**

In tali condizioni, disattivare la richiesta di ri-connessione.

Attivare e disattivare la richiesta di ri-connesione

Per modificare l'impostazione di questa caratteristica è fornito il seguente metodo.

Premere il pulsante FEED 3 volte durante stampa automatica (autotest) -> richiesta di ri-connesione = valido

Premere il pulsante FEED 4 volte durante stampa automatica (autotest) -> richiesta di ri-connesione = valido

Alla fine della stampa automatica (Autotest) verrà stampata la nuova impostazione come richiesta di riconnesione [Valid] o [Invalid].



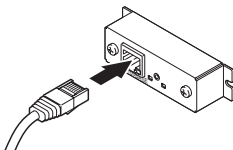
Vedere 4.4 Modalità di prova di funzionamento

3.5 Scheda di interfaccia Ethernet (LAN)/ Wireless LAN

Questa sezione fornisce una panoramica sulla scheda di interfaccia. Per i dettagli su questa scheda, comprese le spiegazioni sulla funzione host USB e sul supporto per periferiche XML, consultare il manuale separato.

Collegamento dei cavi di interfaccia

1. **Spegnere la stampante.**
2. **Orientare correttamente il cavo d'interfaccia ed inserirlo nel relativo connettore.**



3. **Collegare l'altro connettore a un hub, un router o a un dispositivo simile.**

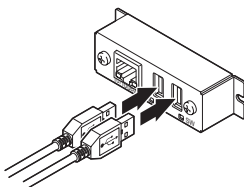


ATTENZIONE

- Quando si scollega il cavo, afferrarlo sempre per il connettore.
- Sistemare il cavo d'interfaccia in modo che nessuno possa calpestarlo.
- Afferrare il connettore durante l'inserimento o il distacco del cavo d'interfaccia Ethernet perpendicolare e diritto. Effettuando l'operazione in modo angolato potrebbe causare il collegamento erraneo del connettore.

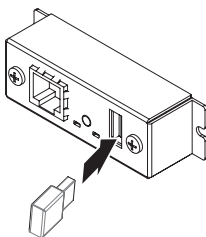
Collegamento di una periferica

1. **Spegnere la stampante.**
2. **Inserire il cavo della periferica nel connettore.**



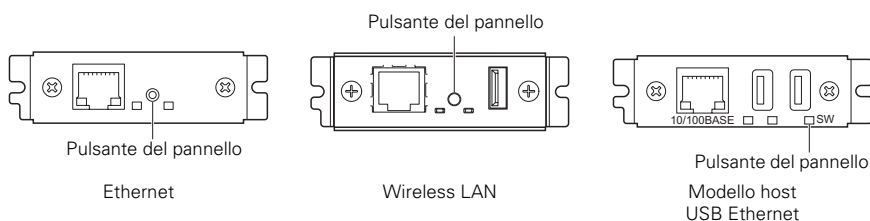
Collegamento della scheda LAN wireless

1. **Spegnere la stampante.**
2. **Collegare la scheda LAN wireless al connettore.**



Funzionamento pulsante pannello

Le operazioni della scheda vengono eseguite tramite il pulsante del pannello situato nella parte posteriore della scheda LAN.



- **Attivazione della connessione LAN**
Accendere la stampante. La scheda inizierà a funzionare dopo circa 20 secondi.
- **Stampa delle informazioni sulla configurazione LAN**
Premere il pulsante pannello.
- **Accesso alla modalità di impostazione**
Tenere premuto il pulsante pannello. Un cicalino* suonerà una volta per indicare che è avvenuto l'accesso alla modalità di impostazione.
 - Si può utilizzare la modalità di impostazione per leggere le impostazioni di fabbrica.
 - Se non viene eseguita alcuna operazione per 3 secondi nella modalità di configurazione, la modalità ritorna alla modalità normale.
- **Ripristino delle impostazioni di fabbrica**
Accedere alla modalità di impostazione scheda quindi tenere premuto il pulsante pannello. In tal modo la scheda ritorna ai valori predefiniti di fabbrica.

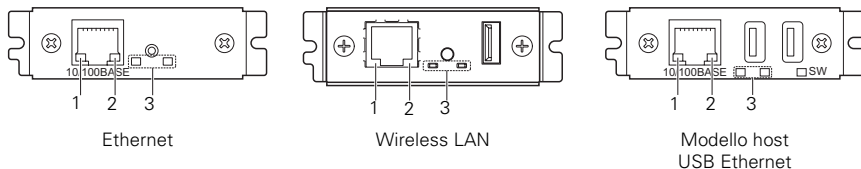


ATTENZIONE

La scheda si riavvia automaticamente al termine dell'operazione. Dopo l'azzeramento delle impostazioni, sarà necessario riconfigurare le impostazioni di rete.

Funzioni LED

Questa tabella spiega come interpretare le indicazioni LED.



1. Velocità di trasmissione wireless LAN

Velocità di trasmissione	LED (verde)
100 Mbps	Acceso
10 Mbps/Non connesso	Spento

2. Stato di connessione/trasmissione wireless LAN

Stato connessione	LED (giallo)
Connesso	Acceso
Non connesso	Spento
Trasmissione dati in corso	Lampeggiante

3. Stato cablato/wireless LAN

Stato connessione		LED (verde)	LED (rosso)	Descrizione
Nessun collegamento stampante		Spento	—	La scheda non è collegata con una stampante.
Collegamento stampante	Nessuna connessione di rete	Acceso	Spento	La scheda è collegata con una stampante.
	Collegato tramite LAN cablata	Acceso	Lampeggiante (ciclo da 1 secondi)	Ottenimento di indirizzo IP da server DHCP tramite LAN cablata.
	Funzionamento LAN cablata	Acceso	Acceso	Il funzionamento della rete avviene tramite LAN cablata.
	Collegato tramite wireless LAN*	Lampeggiante (ciclo da 2 secondi)	Lampeggiante (ciclo da 1 secondi)	Ottenimento di indirizzo IP da server DHCP tramite wireless LAN.
	Funzionamento wireless LAN*	Lampeggiante (ciclo da 2 secondi)	Acceso	Il funzionamento della rete avviene tramite wireless LAN.
Errore risorsa		Lampeggiante alternato (ciclo da 1 secondi)		La scheda non è in grado di funzionare normalmente.
Errore sistema		Lampeggiante alternato (ciclo da 0,2 secondi)		La scheda non è in grado di funzionare normalmente.

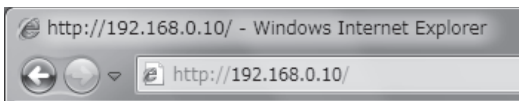
*: Solo quando si utilizza una connessione wireless LAN

Web Manager

La scheda di interfaccia dispone di una funzione Amministratore Web che consente di collegarsi alla scheda tramite un browser web e modificare le impostazioni della scheda.

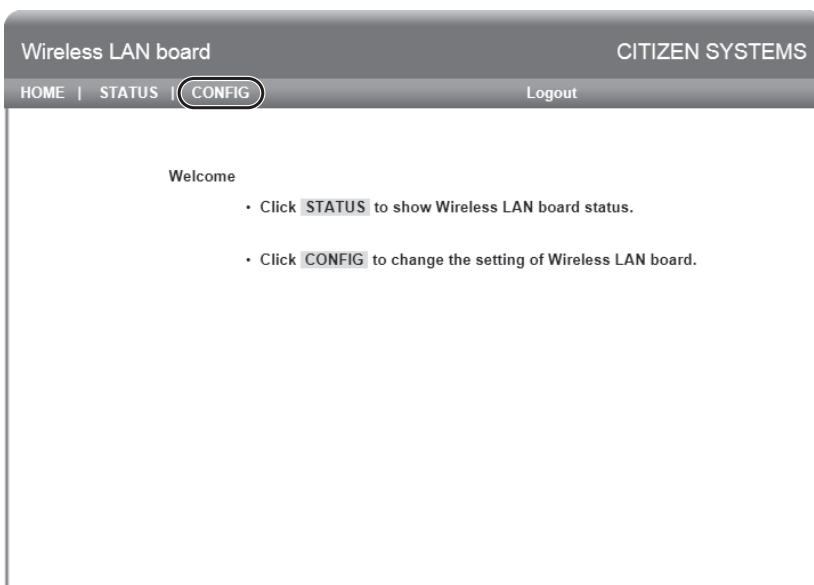
Avvio di Web Manager

1. **Avviare un browser web.**
2. **Nel campo indirizzo, immettere l'indirizzo IP della scheda e premere [Invio].**



Schermata HOME

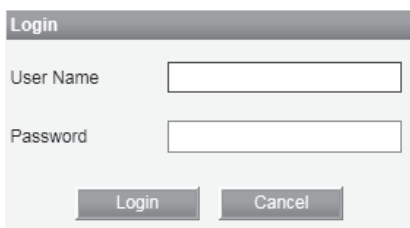
Si tratta della schermata principale di Web manager.
La seguente schermata è un esempio di connessione LAN.



In questa schermata premere il pulsante [CONFIG].

Schermata CONFIG

Apparirà la finestra di dialogo per il login indicata di seguito. Eseguire l'accesso come amministratore e configurare le impostazioni della scheda di interfaccia.



The image shows a standard Windows-style dialog box titled "Login". It features a title bar at the top with the text "Login" in white on a dark background. Below the title bar, there are two text input fields. The first is labeled "User Name" and the second is labeled "Password". At the bottom of the dialog, there are two buttons: "Login" on the left and "Cancel" on the right. The entire dialog is set against a light gray background.

- **User Name**
Immettere il nome utente dell'amministratore della scheda. (Impostazione iniziale: admin)
- **Password**
Immettere la password utente dell'amministratore. (Impostazione iniziale: admin)
- **Pulsante [Login]**
Dopo aver immesso nome utente e password dell'amministratore, fare clic sul pulsante [Login]. In tal modo appare la schermata delle impostazioni.

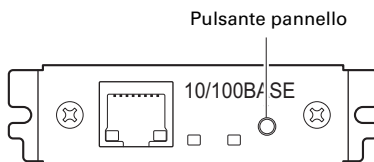
Per maggiori dettagli circa le impostazioni fare riferimento al manuale separato.

3.6 Modello precedente Ethernet (LAN) + scheda di interfaccia USB

Questa sezione fornisce una panoramica della scheda d'interfaccia Ethernet (LAN). Per maggiori dettagli circa questa scheda fare riferimento al manuale separato.

Funzionamento pulsante pannello

Le funzioni della scheda sono fruibili utilizzando il pulsante pannello sulla scheda Ethernet. Si può utilizzare il pulsante per stampare le informazioni di configurazione di stampa e per ripristinare le impostazioni di fabbrica della scheda.



- **Stampa di informazioni di configurazione di rete**
Premere il pulsante pannello.
- **Accesso alla modalità di impostazione**
Tenere premuto il pulsante pannello. Un cicalino* suonerà una volta per indicare che è avvenuto l'accesso alla modalità di impostazione.
 - Si può utilizzare la modalità di impostazione per leggere le impostazioni di fabbrica e per stampare le informazioni del firmware.
 - Se non si svolgono operazioni per tre secondi in modalità di impostazione, un cicalino* suonerà una volta per indicare che la scheda è tornata in modalità normale.

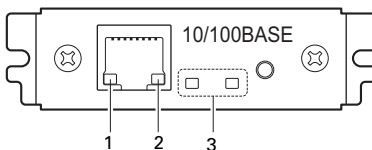
* A seconda delle impostazioni, il cicalino potrebbe non suonare.
- **Ripristino delle impostazioni di fabbrica**
Accedere alla modalità di impostazione scheda quindi tenere premuto il pulsante pannello. In tal modo la scheda ritorna ai valori predefiniti di fabbrica.

ATTENZIONE

- La scheda si riavvierà automaticamente al termine di questa operazione.
- Se le impostazioni sono configurate per ottenere un indirizzo IP da un server DHCP automaticamente, il nuovo indirizzo IP potrebbe essere differente dal precedente.

Funzioni LED

Questa tabella spiega come interpretare le indicazioni LED.



1. Velocità di trasmissione della rete

Velocità di trasmissione	LED (verde)
100Mbps	Acceso
10Mbps/Non connesso	Spento

2. Stato rete

Stato	LED (giallo)
Connesso	Acceso
Non connesso	Spento
Trasmissione dati in corso	Lampeggiante

3. Stato scheda

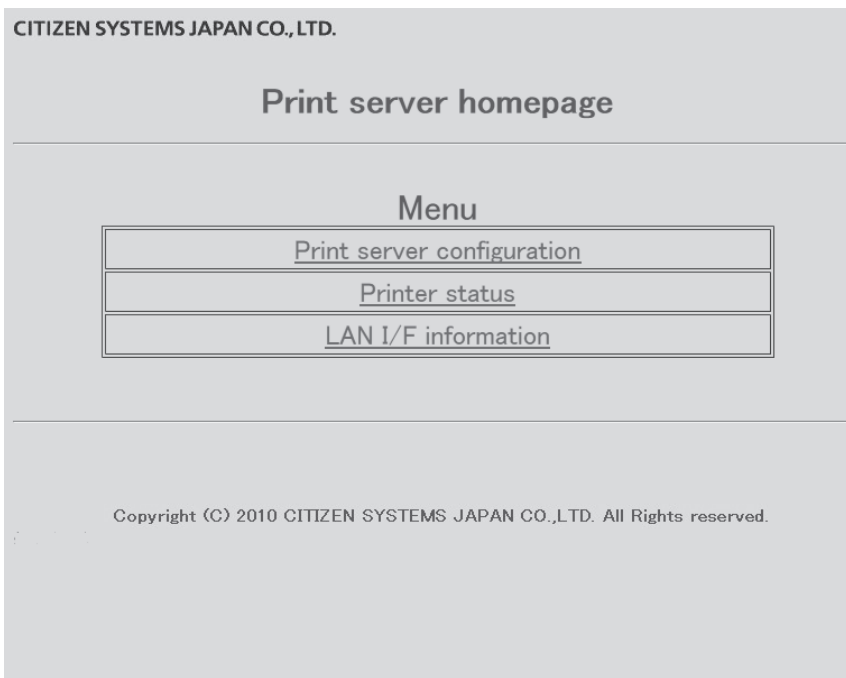
Stato	LED (verde)	LED (rosso)	Descrizione
Nessun collegamento stampante	Spento	—	La scheda non è collegata con una stampante.
Collegamento con stampante	Acceso	—	La scheda è collegata con una stampante.
Nessuna connessione di rete	—	Spento	La scheda non è connessa alla rete.
Ottenimento indirizzo IP	—	Lampeggiante (ciclo da 0,5 secondi)	Ottenimento di indirizzo IP da server DHCP.
Connesso con la rete	—	Acceso	Connessione di rete completata.
Errore risorsa	Lampeggiante alternato (ciclo da 0,5 secondi)		La scheda non è in grado di funzionare normalmente.
Errore sistema	Lampeggiante alternato (ciclo da 0,1 secondi)		La scheda non è in grado di funzionare normalmente.

Modifica impostazioni di rete

Si può utilizzare il browser web per accedere alla pagina di impostazioni speciali per controllare e modificare le impostazioni della scheda.

● Accesso alla pagina di impostazioni speciali

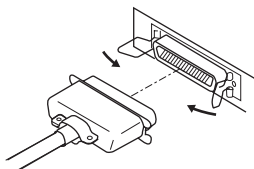
1. **Utilizzare un browser web per accedere all'URL della pagina di impostazioni speciali. Specificare l'indirizzo IP assegnato alla stampante come URL. (Esempio: per un indirizzo IP 169.254.1.10, immettere: <http://169.254.1.10>.)**
2. **In tal modo si visualizza la pagina di impostazioni speciali.**



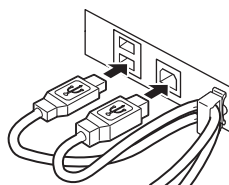
3. **Selezionare "Print server configuration" per visualizzare la schermata di impostazioni.
Per maggiori dettagli circa le impostazioni fare riferimento al manuale separato.**

3.7 Collegamento di altri cavi di interfaccia

1. Spegner la stampante.
2. Orientare correttamente il cavo d'interfaccia ed inserirlo nel relativo connettore.

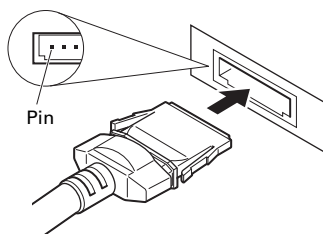


Interfaccia parallela



Interfaccia USB (tipo con hub)

Vista anteriore



Interfaccia Powered USB

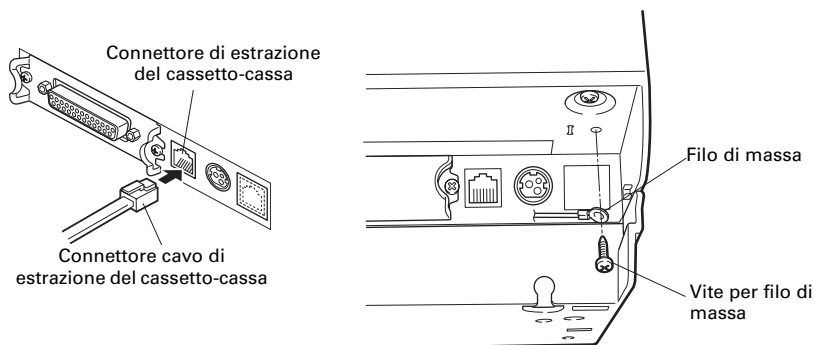


ATTENZIONE

- **Scollegare sempre l'adattatore CA dalla stampante prima di collegarla ad una interfaccia Powered USB. In caso contrario si rischia di danneggiare il PC host. Per maggiori informazioni relative all'installazione di una interfaccia Powered USB contattare il proprio rivenditore Citizen Systems.**
- Controllare l'orientamento del connettore del cavo Powered USB prima di collegarlo. Inserirlo diritto in modo da non curvare i terminali. Spingerla fino al click.
- Quando si scollega il cavo, afferrarlo sempre per il connettore.
- Fare attenzione a non inserire il cavo d'interfaccia USB nel connettore di estrazione del cassetto-cassa.
- Per collegare più di una stampante ad un unico computer tramite interfaccia USB, si deve cambiare il numero di serie dell'interfaccia USB.

3.8 Collegamento del cassetto-cassa

1. Spegner la stampante.
2. Controllare l'orientamento del connettore del cavo di estrazione del cassetto-cassa e collegarlo alla presa corrispondente nella parte posteriore della stampante.
3. Togliere la vite del filo di massa.
4. Avvitare il filo di massa del cassetto-cassa al corpo della stampante.

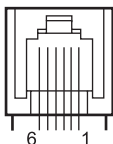


ATTENZIONE

- Collegare soltanto il connettore del cavo di estrazione del cassetto-cassa alla presa corrispondente. (Non collegare assolutamente ad una linea telefonica.)
- I segnali non possono essere inviati dal connettore di estrazione del cassetto-cassa durante la stampa.

(1) Configurazione dei pin del connettore

N.	Segnale	Funzione
1	FG	Massa (Frame Ground)
2	DRAWER1	Segnale di comando cassetto-cassa 1
3	DRSW	Ingresso commutatore cassetto-cassa
4	VDR	Alimentazione elettrica di comando cassetto-cassa
5	DRAWER2	Segnale di comando cassetto-cassa 2
6	GND	Massa segnale (massa comune sui circuiti)



Connettore usato:
TM5RJ3-66 (Hirose) o
equivalente
Connettore applicabile:
TM3P-66P (Hirose) o
equivalente

(2) Caratteristiche elettriche

1) Tensione di comando: 24 VCC

2) Corrente di comando: Max. circa 1 A (non deve superare i 510 ms.)

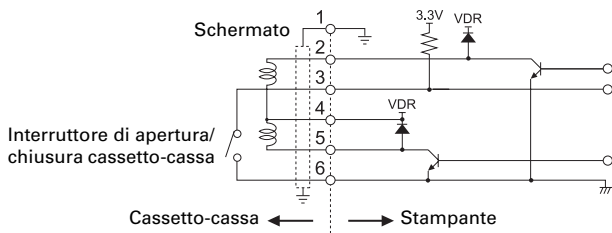
3) Segnale DRSW: Livelli segnale: "L" = 0 a 0,8 V, "H" = 2 a 3,3 V

(3) Segnale DRSW

Lo stato del segnale DRSW può essere verificato con i comandi DLE+EOT, GS+a, o GS+r o sul pin 34 della porta d'interfaccia parallela.

(4) Circuito di comando

Connettore di estrazione del cassetto-cassa

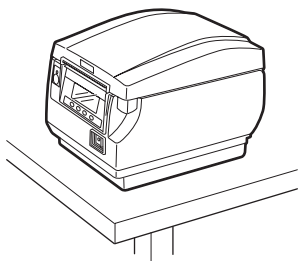


ATTENZIONE

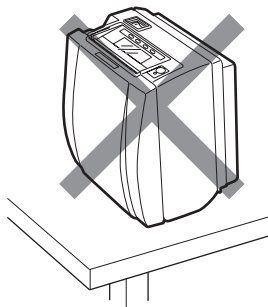
- I cassettei 1 e 2 non possono essere azionati contemporaneamente.
- Il solenoide utilizzato per il cassetto-cassa deve essere a 24 Ω o superiore. La corrente non deve mai superare 1 A. La corrente in eccesso potrebbe danneggiare o bruciare i circuiti.

3.9 Precauzioni per l'installazione della stampante

La stampante può essere installata solo in orizzontale. Non può essere posizionata verticalmente o con installazione a parete.



Posizione orizzontale



Posizione verticale



ATTENZIONE

Non utilizzare la stampante nelle condizioni seguenti.

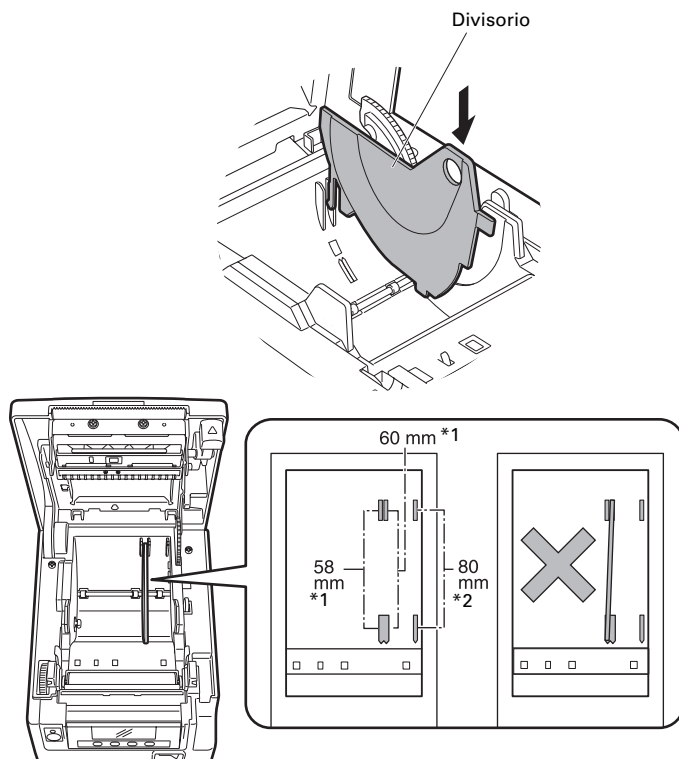
- Punti soggetti a vibrazioni o instabilità.
- Punti molto sporchi o polverosi.
- Punti in cui la stampante non si trova perfettamente in piano.
- **La stampante può cadere e provocare lesioni.**
- **La qualità di stampa può peggiorare.**
- Orientamento diverso da quello prescritto.
- **La stampante potrebbe funzionare male, essere danneggiata o provocare scosse.**

3.10 Divisorio per il rotolo di carta

Regolare la larghezza del divisorio su quella del rotolo di carta che si sta caricando. La regolazione di fabbrica del divisorio è quella indicata di seguito.

- Per tipo da 3 pollici: rotola di carta da 80 mm di larghezza
- Per tipo da 2 pollici: rotola di carta da 58 mm di larghezza

1. **Spegnere la stampante.**
2. **Premere sul pulsante di apertura coperchio per aprire il coperchio carta.**
3. **Premere nella posizione indicata dalla freccia e impostare il divisorio in una scanalatura che corrisponda all'ampiezza del rotolo di carta in uso. Comunque, per poter utilizzare il rotolo di carta da 83 mm di larghezza, bisogna togliere il divisorio.**
4. **Vedere "5.3 Impostazione manuale dei memory switch" per cambiare le regolazioni della larghezza della carta.**



Note:

*1: Tipo da 2 pollici (58/60 mm)

*2: Tipo da 3 pollici (80/83 mm)

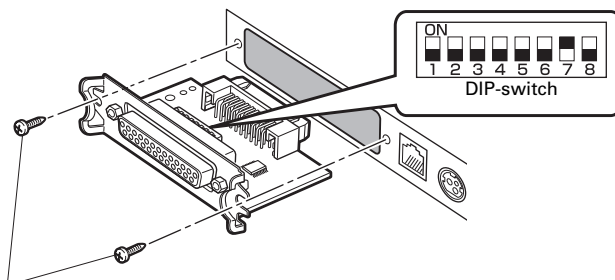


ATTENZIONE

Quando si effettua la regolazione per rotoli di carta da 58 o 60 mm, assicurarsi che il divisorio non sia inclinato.

3.11 Configurazione del DIP-switch sulla scheda dell'interfaccia seriale

1. Spegnerne la stampante e staccare il cavo di alimentazione dalla presa elettrica.
2. Rimuovere le viti di fissaggio della scheda dell'interfaccia seriale.
3. Rimuovere la scheda d'interfaccia seriale dalla stampante.
4. Configurare il DIP-switch in base alla seguente tabella.



Viti di fissaggio della scheda d'interfaccia seriale



ATTENZIONE

Quando si configura il DIP-switch, togliere esclusivamente le viti di fissaggio della scheda d'interfaccia seriale.

La funzione di ciascuno switch è indicata di seguito. (I valori ombreggiati sono quelli delle impostazioni di fabbrica. Tuttavia, le impostazioni di fabbrica possono variare a seconda del mercato di destinazione.)

N. switch	Funzione	ON	OFF
1	Impostazione delle condizioni di comunicazione	In funzione della configurazione DIP-switch	In funzione della configurazione memory switch
2	Inizio di sessione	XON/XOFF	DTR/DSR
3	Lunghezza bit	7 bit	8 bit
4	Controllo di parità	Si	No
5	Selezione parità	Parità uguale	Parità dispari
6	Selezione baud rate	Vedi la tabella seguente.	
7			
8	INIT	Ripristino	Invalido

Selezione baud rate

Velocità di trasmissione (bps)	N. switch	
	6	7
2400	OFF	OFF
4800	ON	OFF
9600	OFF	ON
19200	ON	ON

Quando lo switch n. 1 è portato su OFF, è possibile utilizzare un comando o un memory switch per selezionare 1200, 38400, 57600 o 115200 bps.

3.12 Regolazione del sensore di quasi-fine carta

Cambiare l'impostazione del sensore di quasi-fine carta per regolare la posizione nella quale si rileva lo stato di quasi-fine carta.

1. Utilizzare un oggetto appuntito, p.es. una penna, ed esercitare delicatamente una pressione sul pulsante per modificare l'impostazione del sensore di quasi-fine carta.
2. Tener premuto il pulsante mentre si sposta il sensore di quasi-fine carta in su e in giù, a destra e a sinistra. Le posizioni del sensore per i vari diametri di rotoli di carta utilizzati sono illustrate di seguito.

(Unità: mm)

Posizione del sensore	Diametro rilevato come quasi-fine carta	Diametro dell'anima esterno del rotolo di carta in uso
A	$\phi 31$	$\phi 18$
B*	$\phi 23$	$\phi 18$
C	Funzionamento sensore di quasi-fine carta disattivato (OFF)	

Nota:

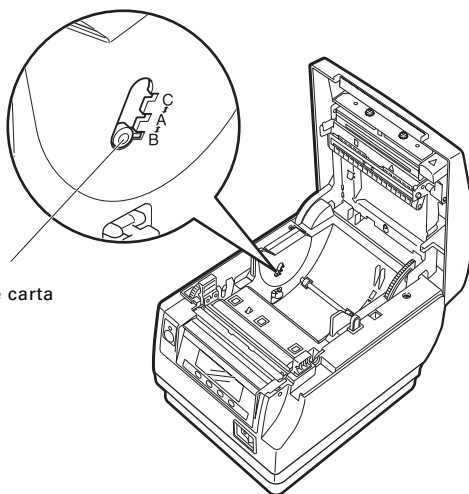
*: Posizione del sensore all'uscita dalla fabbrica. Tuttavia, le impostazioni di fabbrica possono variare a seconda del mercato di destinazione.



ATTENZIONE

- La quantità di carta rimanente sul rotolo (diametro del rotolo) dipende dal tipo di carta utilizzato.
- I diametri dei rotoli di carta indicati in tabella sono solo valori di riferimento.

Pulsante per cambio
sensore di quasi-fine carta

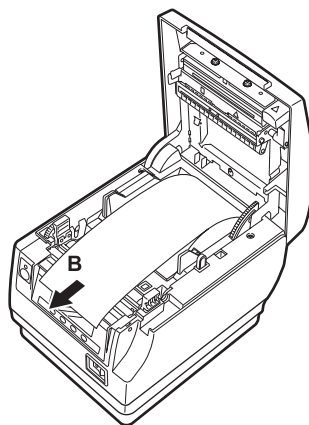
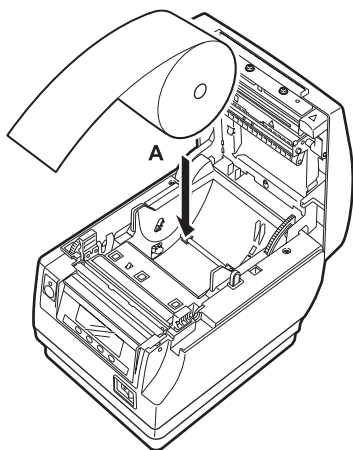
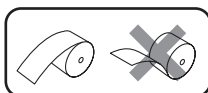


3.13 Caricamento carta

1. Accendere la stampante.
2. Premere sul pulsante di apertura coperchio per aprire il coperchio carta.
3. Caricare il rotolo di carta di modo che il lato stampabile sia rivolto verso l'alto, come indicato dalla freccia A.
4. Estrarre per il dritto la carta di qualche centimetro nel senso indicato dalla freccia B.
5. Chiudere il coperchio carta fino al click. La carta avanzerà e sarà tagliata automaticamente (in caso di impostazioni di fabbrica).



Vedere 5.3 Impostazione manuale dei memory switch



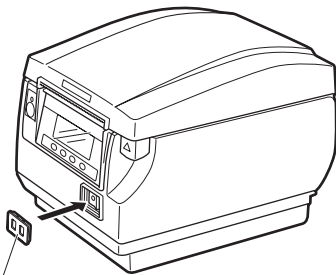
ATTENZIONE

- Utilizzare esclusivamente i tipi di rotoli di carta prescritti.
- Verificare che il rotolo di carta sia installato correttamente.
- Se la carta è messa di sbieco e non esce dritta dal coperchio carta, aprirlo e raddrizzarla.
- Estrarre sempre la carta di qualche centimetro per il dritto dalla stampante quando si apre il coperchio carta con carta caricata.
- Premere al centro del coperchio carta per chiuderlo in modo sicuro.
- Attenzione ai tagli della carta durante il caricamento.
- Durante l'apertura del coperchio carta fare attenzione alla testina di stampa, al dispositivo di taglio manuale o a quello automatico. In caso contrario, ci si può bruciare o tagliare.

3.14 Applicazione del coperchio interruttore d'accensione

Applicare questo coperchio per impedire l'uso dell'interruttore d'accensione.

1. **Premere sul coperchio interruttore d'accensione nella sua sede finché non si avverte uno scatto.**



Coperchio interruttore d'accensione

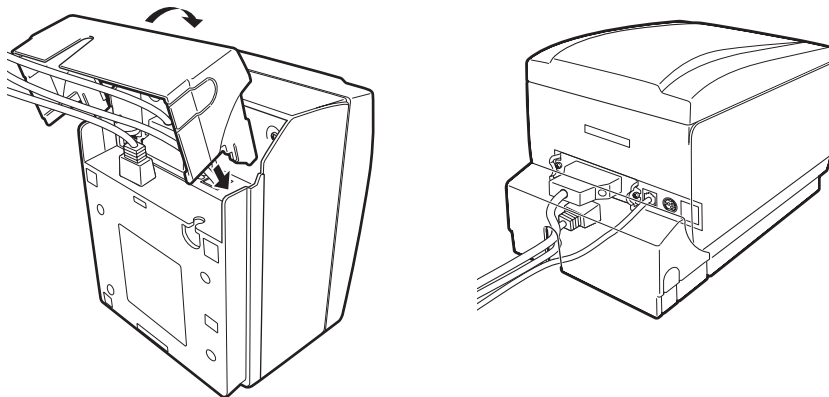
Per rimuoverlo, inserire un cacciavite o un oggetto a punta nelle fessure del coperchio interruttore d'accensione.

3.15 Applicazione del coperchio interfaccia

Applicare il coperchio interfaccia sul retro della stampante.

La forma del coperchio interfaccia varia a seconda del tipo di fonte di alimentazione.

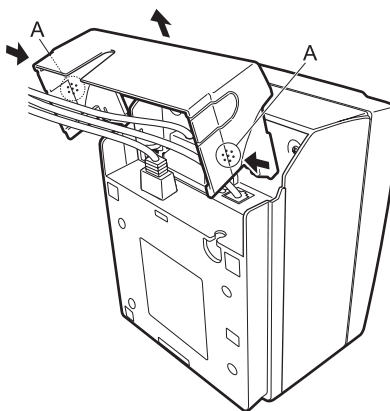
1. Premere sul coperchio interfaccia come indicato nello schema finché non si avverte uno scatto.



CT-S851IIS

3.16 Rimozione del coperchio interfaccia

Per togliere il coperchio interfaccia, premere su entrambi i lati nel punto indicato con A.



CT-S851IIS

3.17 Sito per il download di file utili

Dal seguente sito è possibile visualizzare informazioni per l'assistenza e scaricare gli ultimi documenti, driver, utility, ecc.

<https://www.citizen-systems.co.jp/en/printer/download/#CT-S851II>

3.18 Precauzioni per la creazioni di applicazioni e funzioni pratiche

Se la stampa avviene dopo il taglio parziale e lo strappo della carta, la parte alta della stampa successiva può risultare distorta.

Si consiglia di far avanzare la carta di una riga prima della stampa dopo il taglio.

Se si utilizza un'interfaccia seriale con bassa velocità di trasmissione dati, sulla stampa di grafici o testi graduati che richiedono una maggiore quantità di dati possono apparire delle strisce.

Le interfacce USB sono suscettibili agli effetti delle interferenze elettromagnetiche dell'ambiente ospitante.

In tal caso, utilizzare un cavo con nucleo di ferrite su entrambe le estremità che è molto efficace per eliminare IEM.

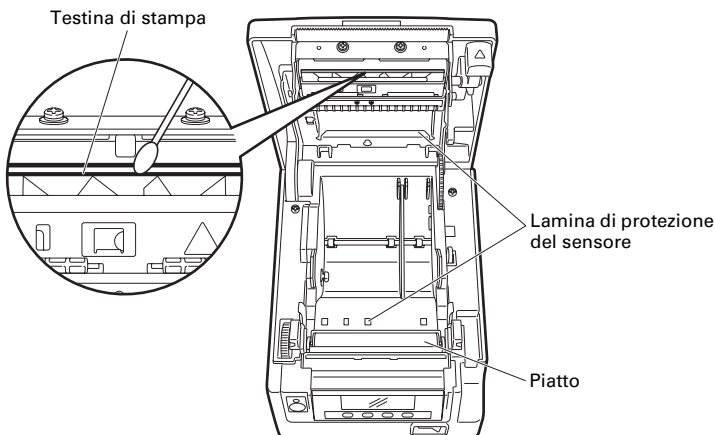
4. MANUTENZIONE E ASSISTENZA

4.1 Pulizia periodica

Se la testina di stampa o il piatto sono sporchi, la qualità di stampa può risultare inferiore oppure si possono verificare malfunzionamenti. Inoltre, se la polvere di carta si accumula sulla lamina di protezione del sensore, la carta non può essere rilevata correttamente. Si raccomanda pertanto di pulire periodicamente la stampante (ogni 2 o 3 mesi) come indicato di seguito.

1. **Spegnere la stampante.**
2. **Premere sul pulsante di apertura coperchio per aprire il coperchio carta.**
3. **Attendere qualche minuto perché la testina di stampa si raffreddino.**
4. **Passare un batuffolo di cotone inumidito con alcol etilico per eliminare lo sporco e la polvere presenti sulla testina di stampa e il piatto.**
5. **Utilizzare invece un batuffolo di cotone inumidito con un po' d'acqua naturale per pulire la lamina di protezione del sensore.**

Accertarsi che prima di passare il batuffolo di cotone non vi cada sopra dell'acqua.



ATTENZIONE

- La testina di stampa diventa calda subito dopo la stampa. Non toccarla.
- Non toccare mai la testina di stampa a mani nude o con oggetti metallici.
- Non utilizzare alcol o detersivi per pulire la superficie della lamina di protezione del sensore. In caso contrario, si può appannare la lamina di protezione del sensore.
- A seconda dell'ambiente in cui la stampante opera, del diametro del rotolo di carta e della qualità del materiale di supporto dell'etichetta, dei brandelli di carta possono aderire al piatto qualora le etichette adesive fossero tagliate completamente.

4.2 Rimozione del blocco del dispositivo di taglio (1)

Se la lama del dispositivo di taglio automatico resta all'esterno per via di un oggetto estraneo o un inceppamento della carta che lo sta ostruendo, compare il messaggio "Blocco taglier."



Se viene visualizzato il messaggio "Blocco taglier.", eliminare il blocco dispositivo di taglio come spiegato qui di seguito.

1. **Accendere la stampante.**
2. **Premere sul pulsante di apertura coperchio per aprire il coperchio carta.**
3. **Rimuovere la carta inceppata compresi eventuali pezzi di carta strappati. (Inoltre, togliere il rotolo di carta dal supporto.)**
4. **Ricaricare il rotolo di carta e chiudere il coperchio carta.**

ATTENZIONE

- La testina di stampa diventa calda subito dopo la stampa. Non toccarla.
- Non toccare mai la testina di stampa a mani nude o con oggetti metallici.

Dopo la procedura "Rimozione del blocco del dispositivo di taglio (1)" e aprendo il coperchio carta, se la lama del dispositivo di taglio automatico è estesa, effettuare la procedura in "Rimozione del blocco del dispositivo di taglio (2)".



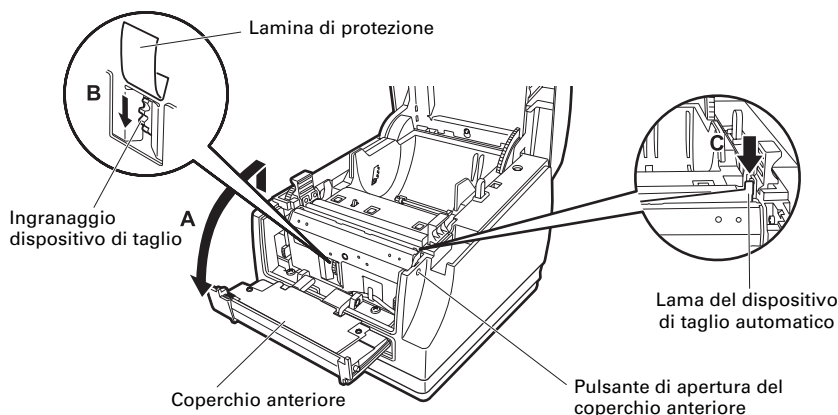
Vedere 4.3 Rimozione del blocco del dispositivo di taglio (2)

4.3 Rimozione del blocco del dispositivo di taglio (2)

Il coperchio carta è realizzato in modo da poter essere aperto premendo sul pulsante di apertura coperchio in caso di bloccaggio del dispositivo di taglio. Se anche in questo modo non si riesce ad aprire il coperchio carta, per eliminare il blocco del dispositivo di taglio procedere come di seguito spiegato.

1. **Spegnere la stampante e staccare il cavo di alimentazione dalla presa elettrica.**
2. **Premere sul pulsante di apertura coperchio per aprire il coperchio carta.**
3. **Mentre si preme sul pulsante di apertura del coperchio anteriore con una penna o oggetto simile, far scorrere il coperchio anteriore di 10 mm verso l'alto.**

4. **Ruotare il coperchio anteriore in avanti nella direzione della freccia A.**
5. **Sollevare la lamina protettiva e ruotare l'ingranaggio del dispositivo di taglio nel senso indicato dalla freccia B per riportare il dispositivo di taglio automatico nella posizione in cui il coperchio carta possa essere aperto.**
Far ruotare l'ingranaggio dispositivo di taglio finché la lama del dispositivo di taglio automatico rientra nel senso indicato dalla freccia C. Se la lama del dispositivo di taglio automatico non si sposta quando si ruota l'ingranaggio nel senso indicato dalla freccia B, ruotarlo in senso opposto.
6. **Togliere quanto aveva provocato il blocco del dispositivo di taglio automatico.**
7. **Chiudere il coperchio anteriore.**
Ruotare il coperchio anteriore nella direzione opposta della freccia A e premere la parte superiore del coperchio anteriore fino al click.
8. **Caricare il rotolo di carta e chiudere il relativo coperchio.**
9. **Inserire la spina del cavo di alimentazione nella presa elettrica ed accendere l'apparecchio.**
Accertarsi che il LED verde si accenda.



ATTENZIONE

- Prima di iniziare un qualunque intervento di manutenzione, spegnere la stampante e staccare la spina dalla presa elettrica.
- Durante l'apertura del coperchio anteriore fare attenzione a non toccare il dispositivo di taglio manuale.
- Quando il coperchio carta è aperto, fare attenzione a non toccare l'apertura del dispositivo di taglio automatico.
- La testina di stampa diventa calda subito dopo la stampa. Non toccarla.
- Non toccare mai la testina di stampa a mani nude o con oggetti metallici.
- Se con la procedura sopra esposta non si riesce a far rientrare il dispositivo di taglio automatico, contattare il rivenditore di Citizen Systems.

4.4 Modalità di prova di funzionamento

Tener premuto il pulsante 1 mentre si accende la stampante per accedere alla modalità di prova di funzionamento.

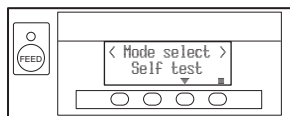
Utilizzare il pulsante 3 (▼) per selezionare una funzione e il pulsante 4 (■) per eseguirla.

Tranne l'autotest e la stampa delle impostazioni dei memory switch, tutte le altre funzioni macchina sono di esclusiva competenza del personale di assistenza e manutenzione. Non intervenire mai su tali funzioni.

Autotest

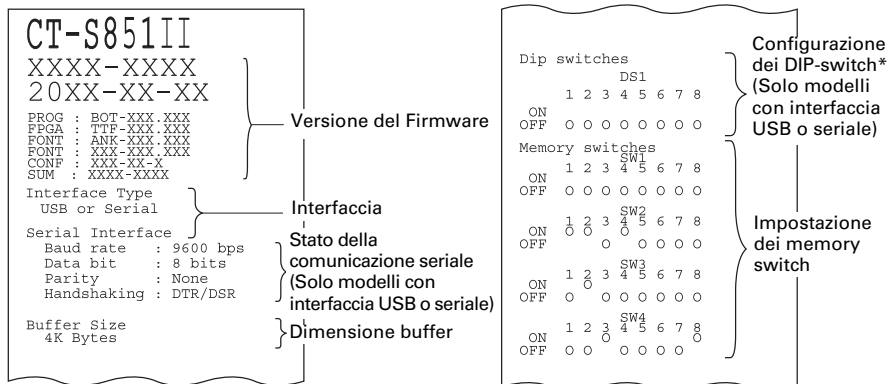
1. Con carta caricata, tener premuto il pulsante 1 mentre si inserisce l'alimentazione.

La modalità di prova di funzionamento ha inizio e sul monitor LCD compare il messaggio "Self test" (autotest).



2. Premere il pulsante 4 (■).

L'autotest ha inizio. La stampante stampa il nome del modello, la versione, la configurazione dei DIP-switch, le impostazioni dei memory switch e un elenco di font memorizzate.

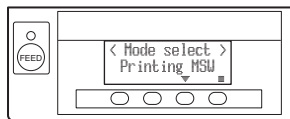


Nota:

*:Le stampanti con un'interfaccia USB non sono dotate di DIP-switch, per cui nella stampa di autotest tutti i DIP-switch compaiono disattivati.

Stampa delle impostazioni dei memory switch

1. Mentre si carica la carta, tener premuto il pulsante 1 mentre si inserisce l'alimentazione.
La modalità di prova di funzionamento ha inizio e sul monitor LCD compare il messaggio "Self test" (autotest).
2. Premere il pulsante 3 (▼).
Sul monitor LCD compare il messaggio "Printing MSW".
3. Premere il pulsante 4 (■).
Viene stampato un elenco delle impostazioni attuali dei memory switch.



La modalità di prova di funzionamento comprende le seguenti modalità secondarie.

Funzione	Descrizione
Self test	Esegue l'autotest.
Printing MSW	Stampa le impostazioni dei memory switch.
Quick Setting *	Imposta i memory switch in modo che siano compatibili con modelli specifici.

Nota:

*:I memory switch vengono automaticamente configurati in modo ottimale selezionando il costruttore e il modello della stampante che viene sostituita.

Opzione selezionata

Manufacturer	Model	Paper width	Character space
CITIZEN	CBM1000	58 mm	—
		80 mm	—
	CT-S300	58 mm	—
		80 mm	—
	CT-S2000	58 mm	—
		60 mm	—
		80 mm	—
EPSON	T88	58 mm	0dot
			1dot
		80 mm	0dot
			1dot
	203dpi	58 mm	—
		60 mm	—
		80 mm	—

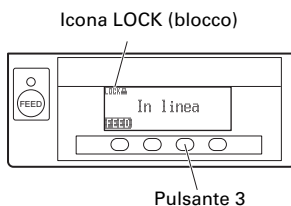


Impostazioni automatiche dei memory switch

MSW2-4 Full Col Print	MSW3-7 CBM1000 Mode	MSW8-1 Print Width	MSW6-2 Character Space
LineFeed	Valid	432dots	—
LineFeed	Valid	576dots	—
WaitData	Invalid	384dots	—
WaitData	Invalid	576dots	—
LineFeed	Valid	432dots	—
LineFeed	Valid	436dots	—
LineFeed	Valid	576dots	—
LineFeed	Valid	640dots	—
WaitData	Invalid	360dots	0dot
WaitData	Invalid	390dots	1dot
WaitData	Invalid	512dots	0dot
WaitData	Invalid	546dots	1dot
WaitData	Invalid	420dots	—
WaitData	Invalid	436dots	—
WaitData	Invalid	576dots	—

4.5 Funzione blocco tasto

Tenere premuto il pulsante MENU mentre la stampante è in funzione per poter modificare le configurazioni dei memory switch.
Attivare il blocco tasto per impedire modifiche involontarie.



Impostazione del blocco tasto

Impostare il blocco tasto, tenere premuto il pulsante 3 (per almeno tre secondi).
MENU scompare e appare l'icona LOCK.

In queste condizioni non è possibile accedere alla modalità di configurazione dei memory switch anche tenendo premuto il pulsante MENU.

Rilascio del blocco tasto

Per rilasciare il blocco tasto, tenere premuto il pulsante 3 (per almeno tre secondi).

Scompare l'icona LOCK e appare MENU.

4.6 Stampa della copia del contenuto memoria esadecimale

Stampa dei dati ricevuti in esadecimale. Se si riscontrano problemi come dati mancanti, duplicazione di dati, questa funzione permette di verificare se la stampante riceve i dati correttamente.

Come eseguire la stampa della copia del contenuto memoria esadecimale

1. Caricare la carta.
2. Con coperchio carta aperto, tener premuto il pulsante 1 mentre si inserisce l'alimentazione, quindi richiudere il coperchio carta.
Accedere alla modalità di stampa contenuto memoria HEX.
3. La stampante stampa "HEX dump print mode" (modalità di stampa della copia del contenuto memoria esadecimale), poi stampa tutti i dati ricevuti sotto forma di numeri esadecimale e caratteri.

Come arrestare la stampa della copia del contenuto memoria esadecimale

Per arrestare la stampa eseguire una delle seguenti operazioni.

- Premere il pulsante 1 tre volte di seguito
- Spegner la stampante
- Ricevere un comando di reset da un'interfaccia



ATTENZIONE

- La stampante stampa "." se non trova un carattere corrispondente ai dati.
- Nessuno dei comandi funziona durante la stampa della copia del contenuto memoria esadecimale.
- Se i dati di stampa non riempiono una riga completa, premere il pulsante 1 per fare avanzare la carta.

Esempio di stampa

HEX dump print mode

```
61 62 63 64 65 66 67 0A 0D 0D 0D 0D abcdefg.....  
0D 0D 0D .....  
.....
```

4.7 Messaggi di errore

- Carta finita

La fine del rotolo di carta viene rilevato in due fasi: quasi-fine carta e fine carta. Quando viene rilevata la condizione di quasi-fine carta, sul monitor LCD compare il messaggio "PAPER LOW" (carta insufficiente) e si accende il LED arancione. Predisporre un rotolo di carta nuovo.

Quando viene rilevata la condizione di fine carta, sul monitor LCD compare il messaggio "Carta finita" e si accende il LED rosso. Caricare un rotolo di carta nuovo.

- Cop.carta aperto

Non aprire il coperchio carta durante la stampa. Se si apre il coperchio carta, il LED e il monitor LCD diventano rossi. Controllare la carta ed estrarla sempre di qualche centimetro per il dritto dalla stampante prima di chiudere il coperchio carta. Ripresa della stampa. La trasmissione di un comando di ripresa della stampa può essere necessario, in base alla regolazione dei memory switch.

- Blocco taglier.

Se il dispositivo di taglio automatico non si muove per via di un inceppamento della carta o per altro motivo, il LED e il monitor LCD diventano rossi. Eliminare la causa del problema e premere il pulsante 1 (FEED). Se il dispositivo di taglio automatico non funziona ancora e il coperchio carta non si apre, leggere "4.3 Rimozione del blocco del dispositivo di taglio (2)".

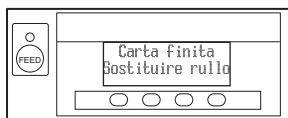


Vedere 4.3 Rimozione del blocco del dispositivo di taglio (2)

- Surrisc. testina

Quando si stampano caratteri ad alta densità, immagini scure o si stampa per periodi prolungati in un ambiente caldo, la temperatura della testina di stampa aumenta. Se la temperatura della testina di stampa supera un limite prestabilito, la stampante cessa di funzionare ed aspetta fino a che la temperatura della testina di stampa si abbassa. Quando ciò si verifica, il colore del LED e del monitor LCD diventa arancione. La stampa riprende automaticamente quando la testina di stampa si raffredda.

Di seguito riportiamo le situazioni che si verificano durante vari errori.
 Il tipo di errore è riconducibile alla riga superiore dell'LCD, il rimedio è costituito dalla riga inferiore. Scorrere i messaggi con lunghezza superiore a 16 caratteri.



Stato	Messaggio	LED	Retroilluminazione	Cicalino*2
Quasi-fine carta	PAPER LOW	Arancione	—	No
Fine carta	Carta finita Sostituire rullo carta.	Rosso	Rosso	Sì
Coperchio anteriore aperto	Apert.coper.ant. Chiudere coperchio anteriore.	Rosso	—	No
Coperchio carta aperto	Cop.carta aperto Chiudere coperchio carta.	Rosso	—	No
Dispositivo di taglio bloccato	Blocco taglier. Aprire cop. carta/Elim. incepp.	Rosso	Rosso	Sì
Errore di segno nero	Err. di segno nero Controll. carta.	Rosso	Rosso	Sì
Testina di stampa calda	Surrisc. testina Attendere, continua...	Arancione	—	No
Errore di memoria	Errore memoria	Rosso	—	Sì
Errore sistema	Errore sistema Contattare rivenditore.	Rosso	Rosso	No
Errore testina di stampa	Errore testina Contattare rivenditore.	Rosso	Rosso	Sì
Errore del motore	Err. apparecchio Contattare rivenditore.	Rosso	Rosso	Sì
Errore di tensione bassa	Err. tensione L Contattare rivenditore.	Rosso	Rosso	Sì
Errore di tensione alta	Err. tensione H Contattare rivenditore.	Rosso	Rosso	Sì
Errore di tensione cassetto-cassa	Errore cassetto Contattare rivenditore.	Rosso	Rosso	Sì
In attesa di esecuzione macro *1	Pulse una tecla -> Ejecutando macro	Lampeggiante verde	—	No

Note:

*1: Il LED può accendersi durante l'esecuzione macro.

*2: Il cicalino suona se si imposta MSW5-1 (impostazione cicalino) su ON. Si noti tuttavia che alcune combinazioni di impostazioni di MSW5-1 e MSW10-5 possono modificare le condizioni per cui il cicalino suona.

4.8 Inceppamenti carta

Evitare ostruzioni dell'uscita della carta e inceppamenti attorno all'uscita durante la stampa.

Se la carta non fuoriesce dalla stampante si arrotola sul piatto all'interno della stampante e provoca un errore.

Se la carta si avvolge attorno al piatto, aprire il coperchio carta e tirarla via con cura.

4.9 Precauzioni di funzionamento interfaccia seriale

Mentre si utilizza l'interfaccia seriale alcune condizioni di stampa possono provocare la presenza di strisce bianche sui fogli stampati e la mancata alimentazione. Per evitare questi problemi, cambiare le configurazioni dei memory switch come descritto di seguito.

1. **Variare MSW7-1 (baud rate seriale) in un baud rate più rapido.**
2. **Variare MSW10-2 (velocità di stampa) a un livello inferiore.**



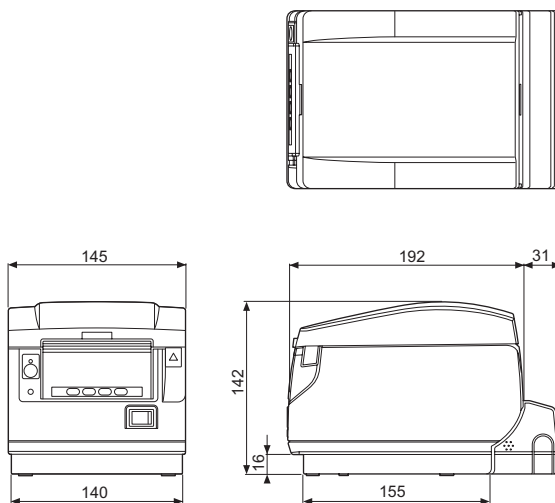
ATTENZIONE

A seconda della velocità di trasmissione dell'interfaccia seriale, della temperatura ambiente, dai dati di stampa assegnati e da altri fattori, il problema potrebbe non eliminarsi anche modificando le configurazioni di cui sopra.

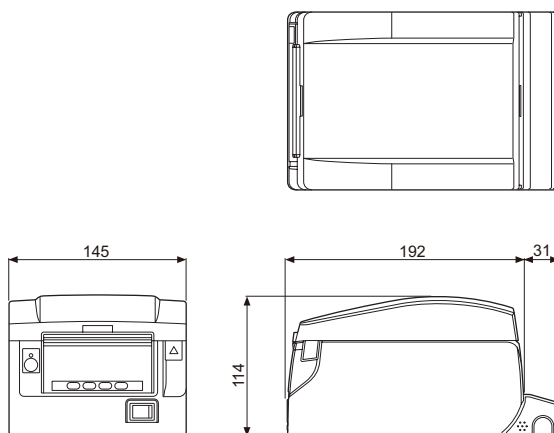
5. ALTRO

5.1 Viste e dimensioni esterne

(Unità: mm)



Tipo con alimentazione integrata



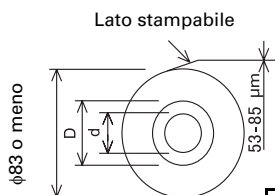
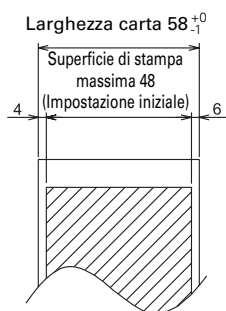
Tipo con adattatore CA

5.2 Carta per la stampa

Utilizzare la carta di stampa indicata nella tabella seguente o carta di qualità equivalente.

Tipo di carta	Nome del prodotto
Rotolo di carta termica raccomandata	TF50KS-E2D, TF50KS-E o TF60KS-E della Nippon Paper PD150R o PD160R della Ohji Paper P220AG, HP220A, HP220AB-1, F230AA, P220AB o PB670 (carta bicolore) della Mitsubishi Paper

(Unità: mm)



Spessore della carta (μm)	53-75	75-85
Diametro dell'anima interna del rotolo d (mm)	$\phi 12$	$\phi 25,4$
Diametro dell'anima esterno del rotolo D (mm)	$\phi 18$	$\phi 32$



ATTENZIONE

Utilizzare carta arrotolata come segue:

- Non corrugata e fissata strettamente all'anima del rotolo.
- Non piegata.
- Non incollata all'anima del rotolo.
- Arrotolata con il lato di stampa rivolto all'esterno.

5.3 Impostazione manuale dei memory switch

I memory switch sono utilizzati per configurare diverse impostazioni della stampante. I memory switch possono essere regolati manualmente (configurati a mano sulla stampante) o tramite comandi. Questa sezione spiega come eseguire le impostazioni manuali.

Le impostazioni dei memory switch vengono eseguite in modalità di impostazione memory switch o in modalità di impostazione DIP-switch virtuale. In modalità di impostazione memory switch, si possono impostare i valori per MSW1 fino a MSW13. In modalità di impostazione DIP-switch virtuale, si possono impostare i valori per MSW1 fino a MSW6.

Per maggiori informazioni su come impostare i memory switch tramite comandi, vedere il Riferimento Comandi.

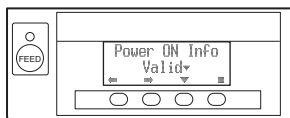
Descrizione della procedura

1. **Accedere alla modalità di impostazione memory switch o alla modalità di impostazione DIP-switch virtuale.**
2. **Modificare le impostazioni come voluto.**
3. **Passa al menu di salvataggio impostazioni.**
4. **Salvare le impostazioni.**

Modalità di impostazione memory switch

Mentre sul monitor viene visualizzato "In linea", tener premuto il pulsante 4 (MENU) per almeno due secondi. Oppure, mentre si carica la carta, tener premuto il pulsante 3 e inserire l'alimentazione.

Accesso alla modalità di impostazione memory switch.

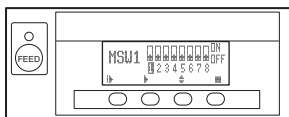


- Premere il pulsante 1 (◀) o il pulsante 2 (▶) per selezionare le opzioni da impostare.
- Premere il pulsante 3 (▼) per selezionare un valore per l'opzione selezionata.
- Premere il pulsante 4 (■) per passare al menu di salvataggio impostazioni.
- **Per riportare tutti i memory switch ai valori predefiniti di fabbrica:**
Premere il pulsante 1 fino a che compare il messaggio "Factory Setting /Set" (dopo MSW13-6).
Tener premuto il pulsante 4 per almeno due secondi. Tutti i memory switch ritornano ai valori predefiniti di fabbrica.

Modalità di impostazione DIP-switch virtuale

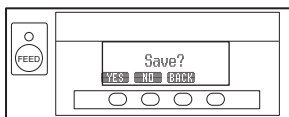
Mentre si carica la carta, tener premuto il pulsante 2 mentre si inserisce l'alimentazione.

Accedere alla modalità di impostazione DIP-switch virtuale.



- Premere il pulsante 1 (▶) per selezionare il numero di memory switch. (Gli switch si susseguono nel seguente ordine: MSW1 → MSW2 → ... → MSW6 → MSW1)
- Premere il pulsante 2 (▶) per passare dallo switch 1 allo switch 8. (La selezione si sussegue ritornando da 8 a 1.)
- Premere il pulsante 3 (⬆) per passare da ON a OFF.
- Premere il pulsante 4 (■) per passare al menu di salvataggio impostazioni.

Menu di salvataggio impostazioni



- Premere il pulsante 1 (YES), per salvare le impostazioni e tornare al display "In linea".
- Premere il pulsante 2 (NO), per non salvare le impostazioni e tornare al display "In linea".
- Premere il pulsante 3 (BACK), per tornare alla modalità precedente.

La funzione di ciascun memory switch viene indicata nella tabella seguente. (I valori ombreggiati sono quelli delle impostazioni di fabbrica.)

N. switch	Funzione	OFF	ON
MSW1-1	Power ON Info	Valid	Not Send
MSW1-2	Buffer Size	4K bytes	45 bytes
MSW1-3	Busy Condition	Full/Err	Full
MSW1-4	Receive Error	Print“?”	No Print
MSW1-5	CR Mode	Ignored	LF
MSW1-6	Reserved	Fixed	—
MSW1-7	DSR Signal	Invalid	Valid
MSW1-8	Init Signal	Invalid	Valid
MSW2-1	Reserved	—	Fixed
MSW2-2	Auto Cutter	Invalid	Valid
*1 MSW2-3	Spool Print	Invalid	Valid
MSW2-4	Full Col Print	LineFeed	WaitData
MSW2-5	Resume aft PE	Next	Top
MSW2-6	Reserved	Fixed	—
MSW2-7	Reserved	Fixed	—
MSW2-8	PNE Sensor	Valid	Invalid
MSW3-1	Resume Ctrr Err	Valid	Invalid
MSW3-2	PE signal by PNE	Valid	Invalid
MSW3-3	Parallel 31 Pin	Valid	Invalid
MSW3-4	Reserved	Fixed	—
MSW3-5	Reserved	Fixed	—
MSW3-6	Reserved	Fixed	—
MSW3-7	CBM1000 Mode	Invalid	Valid
MSW3-8	Resume Open Err	Close	Command
MSW4-1	Reserved	Fixed	—
*2 MSW4-1	P.Length Set	Auto Measure	Command
MSW4-2	Reserved	Fixed	—
*2 MSW4-2	Power on TOF	Invalid	Valid
MSW4-3	Feed&Cut at TOF	Invalid	Valid
*2 MSW4-3	Feed&Cut at TOF	Invalid	Valid
MSW4-4	Reserved	Fixed	—
*2 MSW4-4	Paper Select	Thermal Roll	BM P/Lbl P
MSW4-5	Reserved	Fixed	—
*2 MSW4-5	Position Detect	Black Mark	Label
MSW4-6	Reserved	Fixed	—
*2 MSW4-6	Measure at Close	Invalid	Valid
MSW4-7	Reserved	Fixed	—
MSW4-8	Partial Only	Invalid	Valid
MSW5-1	Buzzer	Valid	Invalid
MSW5-2	Line Pitch	1/360	1/406

N. switch	Funzione	OFF	ON
MSW5-3	USB Mode	Virtual COM	Printer Class
MSW5-4	Reserved	Fixed	—
MSW5-5	Gradation Quality	Quality	Speed
MSW5-6	Reserved	Fixed	—
MSW5-7	Reserved	Fixed	—
MSW5-8	Reserved	Fixed	—
MSW6-1	Act. For Driver	Invalid	Valid
MSW6-2	Character Space	Invalid	Valid
MSW6-3	USB Power Save	Invalid	Valid
MSW6-4	Reserved	Fixed	—
MSW6-5	Reserved	Fixed	—
MSW6-6	Reserved	Fixed	—
MSW6-7	Reserved	Fixed	—
MSW6-8	Reserved	Fixed	—

N. switch	Funzione	Impostazione iniziale	Valore impostato
*3 MSW7-1	Baud Rate	9600 bps	1200 bps, 2400 bps, 4800 bps, 9600 bps, 19200 bps, 38400 bps, 57600 bps, 115200 bps
*3 MSW7-2	Data Length	8bits	7bits, 8bits
MSW7-3	Stop Bit	1bit	1bit, 2bits
*3 MSW7-4	Parity	NONE	NONE, EVEN, ODD
*3 MSW7-5	Flow Control	DTR/DSR	DTR/DSR, XON/XOFF
MSW7-6	DMA Control	Valid	Valid, Invalid
MSW7-7	VCom Protocol	PC Setting	PC Setting, DTR/DSR, XON/XOFF
MSW8-1	Print Width	576dots	640 dots, 576 dots, 546 dots, 512 dots, 436 dots, 432 dots, 420 dots, 390 dots, 384 dots, 360 dots
MSW8-2	Paper Type	1 Color Normal	1 Color Normal, 2 Color Normal
MSW8-3	Top Margin	11mm	3mm, 4mm, 5mm, 6mm, 7mm, 8mm, 9mm, 10mm, 11mm
MSW8-4	Line Gap Reduce	Invalid	Invalid, 3/4, 2/3, 1/2, 1/3, 1/4, 1/5, ALL
MSW8-5	Reduced Char V/H	100% / 100%	100% / 100%, 75% / 100%, 50% / 100%, 100% / 75%, 75% / 75%, 50% / 75%
MSW8-6	Auto Side Shift	Invalid	Invalid, 1 dots, 2 dots, 3 dots, 4 dots, 5 dots, 6 dots, 7 dots
MSW8-7	Liner Free Mode	Invalid	Invalid, 1h, 6h, 12h, 18h, 24h, 5m, 10m, 15m, 20m, 30m
MSW9-1	Code Page	PC 437	PC 437, Katakana, PC 850, PC 858, PC 860, PC 863, PC 865, PC 852, PC 866, PC 857, WPC1252, Space page, PC 864, ThaiCode11 1Pass, ThaiCode11 3Pass, ThaiCode18 1Pass, ThaiCode18 3Pass, TCVN-3
MSW9-2	Int'Char Set	USA	USA, France, Germany, England, Denmark, Sweden, Italy, Spain, Japan, Norway, Denmark 2, Spain 2, Latin America, Korea, Croatia, China, Vietnam

N. switch	Funzione	Impostazione iniziale	Valore impostato
MSW9-4	Multi-byte Char	Invalid	JIS(JPN), SJIS:CP932 (JPN), SJIS:X0213(JPN), GB18030(CHN), KS Hangul(KOR), EUC Hangul(KOR), BIG5(TWN), Invalid
MSW9-6	LCD Language	English	English, Français, Deutsch, Italiano, Español, Japanese, Chinese
MSW9-7	LCD Ext. Char	Valid	Invalid, Valid
MSW9-8	LCD Auto Off	Never	Never, 30seconds, 5minutes
MSW10-1	Print Density	100 %	70 %, 75 %, 80 %, 85 %, 90 %, 95 %, 100 %, 105 %, 110 %, 115 %, 120 %, 125 %, 130 %, 135 %, 140 %
MSW10-2	Print Speed	Level 9	Level 1, Level 2, Level 3, Level 4, Level 5, Level 6, Level 7, Level 8, Level 9
MSW10-3	ACK Timing	Before Busy	Before Busy, Same Period, After Busy
MSW10-4	Old Command	Invalid	Invalid, CBM1, CBM2
MSW10-5	Buzzer Event	Not by C.Open	All Event/Error, Not by C.Open, Not by C.Open/PE
MSW10-6	Buzzer Sound	Tone 2	Tone 1, Tone 2, Tone 3, Tone 4
MSW10-7	Key Lock	Invalid	Invalid, Valid
MSW10-8	LCD Direction	Normal	Normal, Inverted
MSW13-1	Security/Target	Low/All	Low/All, Mid/All, Mid/Paired only, Hi/All, Hi/Paired only
MSW13-5	BT Device Scan	Discoverable	No Response, Discoverable
MSW13-6	Auto Reconnect	Valid	Invalid, Valid

Note:

*1: Se i dati di stampa sono molto corposi, la testina di stampa si scalda, la trasmissione dei dati rallenta oppure si vengono ad instaurare altre condizioni critiche, per esempio il motore o la stampa potrebbero occasionalmente arrestarsi, con conseguenti strisciate bianche sullo stampato. Per stampare dati ad elevata densità, portare MSW2-3 (Spool Print) su ON per ridurre la comparsa di strisce, anche se in tal modo si aumenta il tempo di attesa prima dell'inizio della stampa.

In caso di interfaccia seriale, aumentare la velocità di trasmissione per impedire l'arresto del motore.

*2: Modello con sensore segno nero

*3: I valori i memory switch MSW7-X sono effettivi solo quando il DIP switch n. 1 è impostato su OFF

ESPAÑOL

PRECAUCIONES GENERALES

- Antes de utilizar este producto, asegúrese de leer completamente este manual. Después de leer este manual, guárdelo en un lugar seguro y de fácil acceso para consultas futuras.
- La información de este manual está sujeta a cambios sin previo aviso.
- La reproducción o transferencia parcial o total de este documento por cualquier medio está prohibida si no se dispone del permiso de Citizen Systems.
- Citizen Systems no se hace responsable de los resultados de impresión la existencia de omisiones, errores o erratas en este manual.
- Citizen Systems no es responsable por cualquier problema causado como resultado del uso de partes opcionales o materiales de consumo no especificados en este manual.
- A menos que se explique en alguna parte en este manual, no intente desmontar o reparar este producto.
- Citizen Systems no es responsable por ningún daño atribuible a una operación/manejo incorrecto, o condiciones ambientales inadecuadas que no se especifiquen en este manual.
- Los datos son básicamente para uso temporal y no son almacenados durante un largo período de tiempo ni permanentemente. Citizen Systems no se hace responsable de los daños o lucro cesante que pudieran resultar de la pérdida de datos por accidentes, reparaciones, pruebas u otras causas.
- Si detecta alguna omisión o error o bien tiene alguna duda, póngase en contacto con su concesionario Citizen Systems.
- Si detecta que falta alguna página o que están incorrectamente ordenadas, póngase en contacto con su concesionario Citizen Systems para obtener un manual de reposición.

El uso de la insignia "Made for Apple" significa que un accesorio se ha diseñado para conectarse específicamente al producto o a los productos de Apple identificados en la insignia y que el desarrollador ha certificado que cumple con las normas de rendimiento de Apple. Apple no se hace responsable del funcionamiento de este dispositivo ni de su conformidad con las normas de seguridad y regulatorias. Tenga en cuenta que el uso de este accesorio con un producto de Apple puede afectar al rendimiento inalámbrico.

- Apple, Apple TV, Apple Watch, iPad, iPad Air, iPad Pro, iPhone, and Lightning are trademarks of Apple Inc., registered in the U.S. and other countries. tvOS is a trademark of Apple Inc. The trademark "iPhone" is used in Japan with a license from Aiphone K.K.
- EPSON and ESC/POS are registered trademarks of Seiko Epson Corporation.
- QR Code is a registered trademark of DENSO WAVE INCORPORATED.
- Ethernet is a registered trademark of Fuji Xerox Corporation.
- Bluetooth® is a registered trademark of Bluetooth-SIG Inc.
- CITIZEN is a registered trademark of Citizen Watch Co., Ltd. Japan
- All other trademarks are the property of their respective owners.
- Citizen Systems use these trademarks in accordance with the license of relevant owners.

Copyright ©2019 by CITIZEN SYSTEMS JAPAN CO., LTD.

NORMAS DE SEGURIDAD ..QUE DEBEN SER SEGUIDAS ESTRICTAMENTE

Antes de utilizar este producto por primera vez, lea atentamente estas NORMAS DE SEGURIDAD. La manipulación incorrecta puede resultar en accidentes (incendio, choque eléctrico o lesión). Para evitar lesiones a los operadores, a terceros, o daños materiales, en este Manual de Usuario se utilizan símbolos especiales de advertencia para indicar los puntos importantes que deben observarse estrictamente.

- Después de haber leído este manual, guárdelo en un lugar seguro al que pueda acceder fácilmente para poder consultarlo en el futuro.
- Algunas de las descripciones de este manual podrían no ser relevantes para algunos modelos de impresoras.

A continuación se describe el grado de peligro y los daños que podrían producirse si la impresora no es utilizada de la forma correcta o si se ignoran las instrucciones indicadas por los símbolos de advertencia.



ADVERTENCIA

Si no se cumplen las normas indicadas por este símbolo se pueden producir lesiones mortales o graves.



PRECAUCION

Si no se cumplen las precauciones indicadas con este símbolo, se pueden producir lesiones personales o daños materiales.



Este símbolo se utiliza para avisarle de puntos importantes.



Este símbolo se utiliza para avisarle del peligro de descargas eléctricas o daños electrostáticos.



Este símbolo indica que la impresora debe ser desconectada de la toma de corriente.



Este símbolo se utiliza para indicar que la fuente de alimentación debe conectarse a tierra.



Este símbolo se utiliza para indicar una información útil, tal como procedimientos, instrucciones y otros.



Este símbolo se utiliza para indicar acciones prohibidas.

PRECAUCIONES DE INSTALACIÓN PARA LA IMPRESORA

ADVERTENCIA

- No utilice ni guarde este producto en un lugar donde esté expuesto a:
 - * Llamas o aire húmedo.
 - * Luz solar directa.
 - * Aire caliente o calor procedente de un aparato de calefacción.
 - * Atmósfera salina o gases corrosivos.
 - * Lugar mal ventilado.
 - * Reacciones químicas en un laboratorio.
 - * Aceite, partículas de acero o polvo en el aire.
 - * Electricidad estática o campos magnéticos intensos.
- **Si no se observan estas advertencias se puede producir un fallo en la impresora, recalentamiento, emisión de humo, incendio o descarga eléctrica.**



- No deje caer ningún objeto extraño ni derrame líquidos en el interior de la impresora. No ponga tampoco ningún objeto encima de la impresora.
- No deje caer ningún objeto metálico como, por ejemplo, clips sujetapapeles, alfileres o tornillos en el interior de la impresora.
- No coloque floreros, macetas o recipientes que contengan agua encima de la impresora.
- No derrame café, bebidas o cualquier otro líquido en el interior de la impresora.
- No rocíe insecticida ni ningún otro líquido químico encima de la impresora.
- **La caída accidental de un objeto extraño metálico en la impresora puede causar averías, un incendio o una descarga eléctrica. Si ocurriese, apague inmediatamente la impresora, desenchúfela de la toma de corriente y llame a su concesionario Citizen Systems local.**



No utilice la impresora en los siguientes casos:

- No someta la impresora a fuertes impactos o sacudidas bruscas (por ejemplo, que sea pisoteada, se deje caer o reciba golpes).
- No intente nunca desmontar ni modificar la impresora.
- **El manejo incorrecto de la impresora puede ser la causa de que ésta falle, se recaliente, emita humo, se produzca un incendio o una descarga eléctrica.**



- Instale, utilice o guarde la impresora fuera del alcance de los niños.
- **Los aparatos eléctricos pueden causar lesiones o accidentes inesperados si se manejan o utilizan incorrectamente.**
- **Mantenga el cable de alimentación y los cables de señales fuera del alcance de los niños. Tampoco debe permitirse que los niños tengan acceso a la parte interna de la impresora.**
- **La bolsa de plástico en la que se entrega la impresora deberá ser eliminada correctamente o guardarse fuera del alcance de los niños. Cubrirse la cabeza con ella puede causar asfixia.**





PRECAUCION

No utilice la impresora en las siguientes condiciones.

- Evite aquellos lugares inestables o sometidos a vibraciones.
- Evite aquellos lugares en los que la impresora no esté nivelada.
- **La impresora podría caerse o causar lesiones.**
- **La calidad de impresión podría deteriorarse.**
- No bloquee los orificios de ventilación de la impresora.
- No coloque ningún objeto encima de la impresora.
- No cubra o envuelva la impresora con un paño o una sábana.
- **De hacerlo, podría dar lugar a la acumulación de calor y deformación de la carcasa, y provocar un incendio.**
- No utilice la impresora cerca de una radio o un televisor, ni la conecte a la misma toma de corriente de dichos aparatos.
- Evite utilizar la impresora interconectada con un cable o cordón que no tenga protección contra ruido. (Para las interconexiones, utilice un cable blindado o un cable de par trenzado y núcleos de ferrita, u otros dispositivos antirruido.)
- Evite utilizar la impresora junto a un aparato que sea una fuente de ruido intenso.
- **La impresora puede causar un efecto adverso en las emisiones de radio y TV cercadas. También pueden haber casos en que los aparatos eléctricos cercanos afecten adversamente a la impresora, causando errores de datos o fallos de funcionamiento.**
- Instalada con una orientación distinta a las especificadas.
- **Puede resultar en funcionamiento erróneo, falla o choque eléctrico.**



- Conecte la impresora a una toma de tierra.
- **Las fugas eléctricas pueden ocasionar descargas eléctricas.**
- No conecte la toma a tierra de la impresora a ninguno de los puntos siguientes:
 - * Tuberías de gas
 - **Podría producirse una explosión de gas.**
 - * Tierra de la línea telefónica
 - * Pararrayos
 - **Si cae un rayo, la sobrecorriente podría causar un incendio o una descarga eléctrica.**
 - * Tuberías de agua
 - **Para hacer la conexión a tierra no deberán utilizarse tuberías de agua de plástico. (Podrán utilizarse las tuberías aprobadas por la compañía de Abastecimiento de Agua.)**
- Antes de conectar o desconectar el cable de puesta a tierra a/de la impresora, desenchufe siempre la impresora de la toma de corriente eléctrica.



PRECAUCIONES PARA EL MANEJO DE LA IMPRESORA

ADVERTENCIA

Tenga en cuenta las precauciones siguientes para la fuente de alimentación y el cable de alimentación:

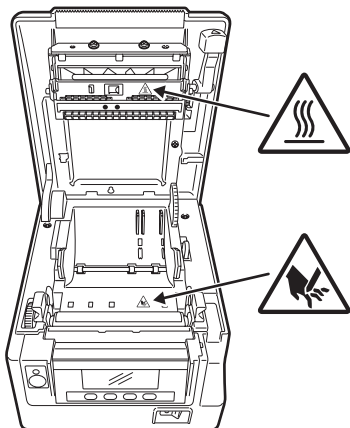
- No enchufe ni desenchufe el cable de alimentación con las manos mojadas.
- Utilice la impresora solamente con la tensión y la frecuencia especificada.
- Utilice solamente el adaptador de CA especificado con la impresora.
- Asegúrese de que la toma de corriente a la que conecte la impresora tenga la capacidad suficiente.
- No conecte la impresora a una toma de corriente compartida con otros aparatos.
- No enchufe el cable de alimentación a una toma eléctrica si el enchufe tiene polvo u otro tipo de suciedad adherida.
- No utilice un cable de alimentación deformado o estropeado.
- No mueva la impresora mientras está encendida.
- **El manejo incorrecto de la impresora puede provocar fallos, emisión de humo, incendio o descarga eléctrica.**
- **Una sobrecarga puede hacer que el cable de alimentación se recaliente, se incendie o se dispare el disyuntor.**
- No coloque nada encima del cable de alimentación. No coloque la impresora en un lugar donde el cable de alimentación pueda ser pisado.
- No utilice ni traslade la impresora con su cable de alimentación doblado, retorcido o estirado.
- No intente modificar el cable de alimentación si no es necesario.
- No coloque el cable de alimentación cerca de un aparato de calefacción.
- **Si no se observan estas precauciones, podrían romperse los cables o el aislamiento, lo que podría causar fugas y descargas eléctricas, o fallos en la impresora. Si el cable de alimentación sufre daños, entre en contacto con su concesionario Citizen Systems.**
- No deje ningún objeto alrededor de la toma de corriente.
- Suministre alimentación eléctrica a la impresora desde una toma mural próxima, fácilmente accesible en caso de emergencia.
- **En caso de emergencia, tire del enchufe para apagarla inmediatamente.**
- Inserte completamente el enchufe de alimentación en la toma de corriente.
- Si no se va a utilizar la impresora durante un período de tiempo prolongado, déjela desconectada de la toma de corriente eléctrica.
- Sostenga el enchufe y el conector cuando enchufe o desenchufe el cordón de alimentación o cable de señales después de apagar la impresora y el aparato conectado a ésta.





PRECAUCION

Hay una etiqueta de precaución colocada en la posición que se indica en la imagen siguiente. Antes de utilizar la impresora, lea atentamente las precauciones de uso.



ESTA ETIQUETA INDICA QUE EXISTE RIESGO DE SUFRIR QUEMADURAS DEBIDO A LAS ALTAS TEMPERATURAS DEL CABEZAL DE IMPRESIÓN, ASÍ COMO RIESGO DE SUFRIR CORTES POR LAS CIZALLAS MANUALES Y AUTOMÁTICAS MIENTRAS LA TAPA DEL PAPEL ESTÁ ABIERTA.

- No transporte esta impresora con el rollo de papel en el interior.
- Podrían producirse fallos o daños en la impresora.

Para evitar fallos de funcionamiento tenga en cuenta lo siguiente:

- No abra la tapa del papel mientras se está imprimiendo.
- Evite utilizar la impresora sin estar correctamente cargado el papel.
- Evite utilizar papel que no cumpla con las especificaciones.
- Puede resultar en una calidad de impresión inadecuada.
- No utilice papel roto o empalmado con cinta adhesiva de plástico.
- Evite tirar con la mano del papel que ya está cargado.
- No utilice objetos puntiagudos para pulsar los botones.



- Asegúrese de insertar firmemente las clavijas del enchufe en las tomas correspondientes.
- Una mala conexión puede dañar los componentes electrónicos internos o el hardware del ordenador al que está conectada.
- Utilice solamente la impresora con los dispositivos que tienen las especificaciones de solenoide descritas para el conector de interfaz del cajón portamonedas.
- Si no se tiene en cuenta esta precaución se pueden producir fallos de funcionamiento de la impresora.





PRECAUCION

Para impedir lesiones y fallos de funcionamiento tenga en cuenta lo siguiente:

- Mientras la tapa del papel está abierta, procure no tocar la cizalla manual situada en la ranura de expulsión del papel.
- No toque la superficie de impresión de la cabeza térmica.
- No toque las piezas móviles (como, por ejemplo, la cizalla del papel, los engranajes o las piezas eléctricas con corriente) mientras la impresora está en funcionamiento.
- En el caso de problemas no intente reparar la impresora. Solicite la reparación al centro de servicio de Citizen Systems.
- Tenga cuidado para no pillarse las manos o los dedos con las tapas de la impresora.
- Tenga cuidado con los bordes afilados de la impresora. Procure que no se produzcan lesiones personales o daños materiales.
- **Se puede producir descarga eléctrica, quemadura o lesión.**



Si la impresora emite humos u olores o ruidos extraños al imprimir, cancele inmediatamente la sesión de impresión en curso y desenchúfela de la toma de corriente.



MANTENIMIENTO DIARIO

Tome las precauciones siguientes para el mantenimiento diario:

- Cuando vaya a limpiar la impresora, apáguela y desconéctela siempre de la toma de corriente.
- Utilice un paño suave y seco para limpiar la superficie de la caja de la impresora.
Para las manchas difíciles de retirar, utilice un paño suave humedecido ligeramente en agua.
Nunca utilice disolventes orgánicos de limpieza tal como alcohol, diluyente de pintura, tricloroetileno, bencina o cetona. Nunca utilice un paño de limpieza procesado químicamente.
- Para retirar el polvo de papel, utilice una escobilla suave.



PRECAUCION

- **La cabeza térmica estará muy caliente inmediatamente después de imprimir. Deje que se enfríe antes de iniciar las tareas de mantenimiento.**

ÍNDICE

1. NOCIONES GENERALES	9
1.1 Características.....	9
1.2 Desembalaje.....	10
1.3 Clasificación del modelo	10
1.4 Especificaciones generales	11
2. EXPLICACION DE LAS PARTES DE LA IMPRESORA	13
2.1 Aspecto de la Impresora	13
2.2 Interior de la tapa del papel.....	16
2.3 Otras funciones integradas.....	17
3. INSTALACIÓN	19
3.1 Conexión del cable de alimentación de CA.....	19
3.2 Placa de interfaz serie.....	20
3.3 Placa de interfaz USB	21
3.4 Placa de interfaz Bluetooth	22
3.5 Placa de interfaz (LAN) Ethernet/Placa de interfaz LAN inalámbrica.....	24
3.6 La placa de interfaz Ethernet (LAN) + USB del modelo anterior....	29
3.7 Conexión de los otros cables de interfaz.....	32
3.8 Conexión del cajón portamonedas	33
3.9 Precauciones para la instalación de la impresora	35
3.10 Separador para rollo de papel.....	36
3.11 Ajuste de los interruptores DIP en la placa de interfaz serie....	37
3.12 Ajuste del sensor de papel casi agotado	38
3.13 Carga del papel	39
3.14 Colocación de la tapa del interruptor de alimentación.....	40
3.15 Colocación de la tapa de conexiones.....	41
3.16 Extracción de la tapa de conexiones.....	41
3.17 Sitio de descarga de varios archivos electrónicos	42
3.18 Precauciones para la creación de aplicaciones y operaciones prácticas.....	42
4. MANTENIMIENTO Y LOCALIZACION DE AVERIAS	43
4.1 Limpieza periódica.....	43
4.2 Desbloqueo de la cizalla (1)	44
4.3 Desbloqueo de la cizalla (2)	44
4.4 Modo de prueba de funcionamiento	46
4.5 Función de bloqueo de las teclas	48
4.6 Impresión de volcado hexadecimal	49
4.7 Mensajes de error	50
4.8 Atascos de papel.....	52
4.9 Precauciones al utilizar la interfaz serie.....	52
5. OTROS	53
5.1 Vistas externas y dimensiones	53
5.2 Papel de Impresión.....	54
5.3 Ajuste manual de los interruptores de memoria	55

1. NOCIONES GENERALES

La impresora térmica por líneas serie CT-S851II ha sido diseñada para utilizarse con una amplia gama de equipos terminales, tales como terminales de datos, POS y de cocina.

Estas impresoras incorporan numerosas funciones, por lo que se pueden utilizar en una amplia variedad de aplicaciones.

1.1 Características

- Impresión a alta velocidad (300 mm/s)
- Diseño tan compacto que se puede instalar en cualquier lugar (tamaño máximo del rollo de papel: 83 mm (3 pulgadas))
- Construcción hermética que evita la entrada de agua por la parte superior
- El papel sale por la parte delantera, lo que permite colocar la impresora se espacios reducidos
- Elija entre dos modelos con rollos de papel de 83/80 mm (3 pulgadas) o de 60/58 mm (2 pulgadas) de ancho
- Disponibles con fuente de alimentación integrada o con adaptador de CA
- Indicación de estado y errores de la impresora mediante pantalla LCD, pilotos LED y zumbador
- Fácil de configurar gracias a su pantalla LCD y cuatro botones
- Incorpora una cizalla rápida y silenciosa
- Atascos de la cizalla fáciles de eliminar
- Desconexión de la fuente de alimentación USB
- Interfaz intercambiable
- La interfaz LAN por cable disponen de una función de host USB que puede controlar los dispositivos periféricos.
- Interfaz de cajón portamonedas integrada
- Personalizable mediante interruptores de memoria
- Guarda logotipos y caracteres definidos por el usuario en la memoria de usuario
- Admite impresión de códigos de barras y códigos de barras 2D
- 16 niveles de escala de grises e impresión nítida
- Funciones de ahorro de papel
- Admite kanji japonés, chino (simplificado y tradicional) y hangul (coreano)
- Incluye software con controladores y utilidades
- Admite comunicación Bluetooth con certificado MFi de Apple (modelo con Bluetooth)
- Algunos modelos admiten papel con marca negra

1.2 Desembalaje

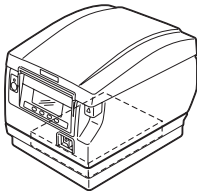
Compruebe que los artículos siguientes se incluyen con la impresora.

- Impresora: 1
- Tapa de conexiones: 1
- Cable de alimentación de CA: 1
- Tapa del interruptor de alimentación: 1
- Rollo de papel de muestra: 1 rollo
- Guía de arranque rápido: 2
- Adaptador de CA*1: 1
- Cable USB*2: 1

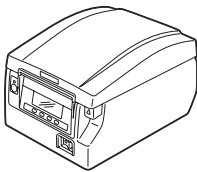
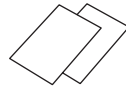
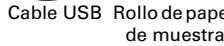
Notas:

*1: Sólo CT-S851IIA

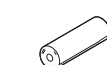
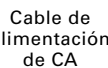
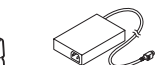
*2: Sólo las de tipo con interfaz USB
En los mercados designados



CT-S851IIS
(Tipo con fuente de alimentación integrada)
36AD3/37AD3 Adaptador de CA integrado



CT-S851IIA
(Tipo con adaptador de CA)



1.3 Clasificación del modelo

Los números de modelo indican funciones de la impresora según el sistema siguiente:

CT - S851IIS 3 RS E - BK - P M1

Fuente de alimentación

- DC: Sin fuente de alimentación
- S: Tipo con fuente de alimentación integrada
- A: Tipo con adaptador de CA

Anchura de papel

- 3: 80/83 mm (3 pulgadas)
- 2: 58/60 mm (2 pulgadas)

Interfaz

- PA: Paralelo
- RS: Serie RS-232C
- UB: Sólo USB
- UH: USB con concentrador
- ET: Ethernet (tipo estándar)
- ES: Ethernet (tipo multifunción)
- UP: Powered USB
- BT: Bluetooth
- WF: WiFi (2,4GHz) W5: WiFi (5,0GHz)
- HET: Ethernet (función de host USB)

Mercado*

- J: Japón
- U: Norteamérica
- C: China
- A: Asia/Oceanía
- E: Europa

Sensor BM

- : No
- M1: Lado izquierdo
- M2: Lado derecho

Sensor PNE

- : No
- P: Sensor PNE

Color de la carcasa

- WH: Blanco hielo
- BK: Negro

Algunas combinaciones pueden no estar disponibles. Consulte antes a Citizen.

Nota:

*: El cable de alimentación de CA, el tornillo I/F serie, el firmware y demás especificaciones pueden variar según el mercado.

1.4 Especificaciones generales

Elemento	Especificaciones						
Modelo	CT-S851II						
Método de impresión	Método de impresión térmica por líneas de puntos						
Anchura de impresión *1	80 mm/640 puntos, 72 mm/576 puntos, 64 mm/512 puntos, 54,5 mm/436 puntos, 54 mm/432 puntos, 52,5 mm/420 puntos, 48 mm/384 puntos, 45 mm/360 puntos, 48,75 mm/390 puntos, 68,25 mm/546 puntos						
Densidad de punto	8 × 8 puntos/mm (203 ppp)						
Velocidad de impresión	300 mm/s (impresión más rápida, densidad de impresión del 100%, 2400 líneas de puntos/s)						
Número de columnas de impresión *2	—	Número máximo de caracteres (columnas)				Configuración de punto (puntos)	
	Anchura de papel	83 mm	80 mm	60 mm	58 mm		
	Fuente						
	Fuente A	53	48	36	35		12 × 24
	Fuente B	71	64	48	46		9 × 24
Fuente C	80	72	54	52	8 × 16		
Tamaño de caracteres*3	Fuente A: 1,50 × 3,00 mm Fuente B: 1,13 × 3,00 mm Fuente C: 1,00 × 2,00 mm						
Tipos de caracteres	Alfanuméricos, internacionales, PC437/850/852/857/858/860/863/864/865/866, WPC1252, katakana, ThaiCode 11/18 (1Pass/3Pass), TCVN-3						
Pantalla de cristal líquido (LCD)	128 × 32 puntos cristal líquido STN, retroiluminación LED blanca/roja						
Memoria de usuario	384 KB (puede guardar logotipos y caracteres definidos por el usuario)						
Tipos de códigos de barras	UPC-A/E, JAN (EAN) 13/8 columnas, ITF, CODE39, CODE128, CODABAR (NW-7), CODE93, PDF417, Código QR, GS1-Databar						
Separación entre líneas	4,23 mm (1/6 pulgada) (modificable mediante comandos)						
Rollo de papel	Rollo de papel: 83 ⁺⁰ ₋₁ mm/80 ⁺⁰ ₋₁ mm/60 ⁺⁰ ₋₁ mm/58 ⁺⁰ ₋₁ mm × máximo ø83 mm Grosor del papel: De 65 a 75 µm (diámetro del tubo central: interno 12 mm/ externo 18 mm) De 75 a 85 µm (diámetro del tubo central: interno 25,4 mm/ externo 32 mm)						
Interfaz	Serie (cumple con RS-232C), paralelo (cumple con IEEE 1284), USB, USB con concentrador, Ethernet, Powered USB, Bluetooth (3.0), LAN inalámbrica (802.11b/g o 802.11a/b/g/n), LAN(función de host USB) (puerto USB 2)						
Cajón portamonedas	Admite 2 cajones portamonedas						
Tamaño del búfer	4 k bytes/45 bytes						
Tensión de alimentación	24 V CC ±5%						
Consumo	45 W aproximadamente (impresión normal), 3 W (en espera)						
Adaptador de CA *4 (36AD2/3, 37AD3/5)	Entrada nominal: 100 a 240 V CA, 50/60 Hz, 150 VA Salida nominal: 24 V CC, 2,1 A						

Elemento	Especificaciones
Peso	CT-S851IIS: 1,9 kg, aprox. CT-S851IIA: 1,5 kg aprox.
Dimensiones externas	CT-S851IIS: 145 (An) × 192 (Pr) × 142 (Al) mm CT-S851IIA: 145 (An) × 192 (Pr) × 114 (Al) mm
Temperatura y humedad de funcionamiento	5 a 45°C, 10 a 90% HR (sin condensación)
Temperatura y humedad de almacenamiento	-20 a 60°C, 10 a 90% HR (sin condensación)
Fiabilidad	Vida útil del cabezal de impresión: 150 km, 200 millones de impactos (a temperatura y humedad normales con el papel recomendado) Vida útil de la cizalla automática: 2 millones de cortes (corte completo), 1,6 millones de cortes (corte parcial) (a temperatura/humedad normales, con el papel y el grosor de papel recomendados)
Normas de seguridad *5	UL, cUL, FCC, IC, CE, UKCA *

*: Póngase en contacto con nosotros para obtener información sobre otras regiones y sobre el estado más reciente, como los números estándar.

Notas:

*1: Cuando la anchura de papel es de 83, 80, 60 o 58 mm.

*2: El número de columnas que se puede imprimir se selecciona mediante un interruptor de memoria.

El número de columnas que se indica en esta tabla hace referencia a los modelos típicos. El número de columnas varía según las especificaciones.

*3: Los caracteres aparecen pequeños puesto que las dimensiones incluyen una zona en blanco alrededor de cada carácter.

*4: El adaptador de CA 36AD2/37AD5 se suministra como accesorio de la CT-S851IIA.

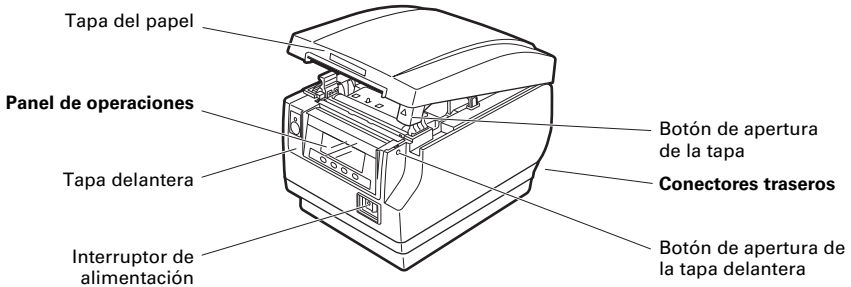
El adaptador de CA 36AD3/37AD3 está integrado en la CT-S851IIS.

*5: Se cumplen si se utiliza el adaptador de CA Citizen Systems (36AD2/3, 37AD3/5).

2. EXPLICACION DE LAS PARTES DE LA IMPRESORA

2.1 Aspecto de la Impresora

Nombre de las piezas



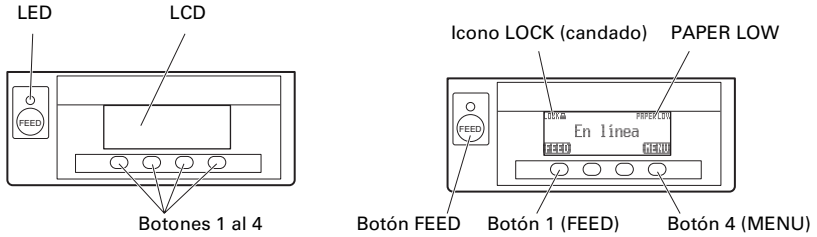
- Tapa del papel
Ábrala para cargar el papel.
- Botón de apertura de la tapa
Use este botón para abrir la tapa del papel.
- Tapa delantera
Abra y cierre esta tapa para desbloquear la cizalla.



Consulte 4.3 Desbloqueo de la cizalla (2)

- Botón de apertura de la tapa delantera
Pulse este botón para abrir la tapa delantera.
- Interruptor de alimentación
Pulse este interruptor para conectar o desconectar la alimentación.

Panel de operaciones



Se ofrecen algunos ejemplos en el diagrama del LCD anterior derecho.

- **LCD**
Indica el estado de la impresora, los nombres de los botones, los tipos de errores y los mensajes.
- **LED**
Se ilumina en verde cuando se conecta la alimentación, y se apaga cuando se desconecta.
Parpadea en verde cuando se reciben datos.
Se ilumina en rojo en los modos especiales y cuando se producen errores.
Se ilumina en naranja cuando queda poco papel (papel casi agotado) o el cabezal de impresión está caliente.
- **Botones 1 al 4**
Las funciones asignadas a estos botones varían según el modo activo. Los botones situados debajo de la pantalla LCD se denominan, de izquierda a derecha, botón 1, botón 2, botón 3 y botón 4.
- **Botón FEED**
Pulse este botón para alimentar papel.
Para desbloquear la cizalla, solucione el problema, cierre la tapa del papel y, a continuación, pulse el botón FEED.



Consulte 4.7 Mensajes de error

- **Botón MENU**
Pulse prolongadamente este botón (durante al menos dos segundos) para acceder al modo de configuración de los interruptores de memoria.



Consulte 5.3 Ajuste manual de los interruptores de memoria

- **PAPER LOW**
Aparece cuando el rollo de papel está casi agotado.

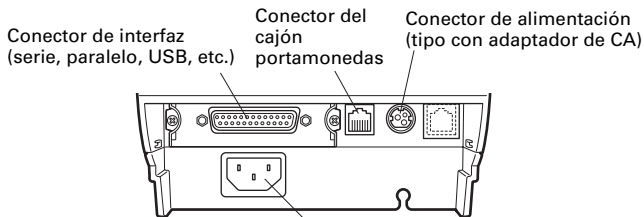
- Icono LOCK (candado)

Este icono indica que el botón MENU no está operativo.



Consulte 4.5 Función de bloqueo de las teclas

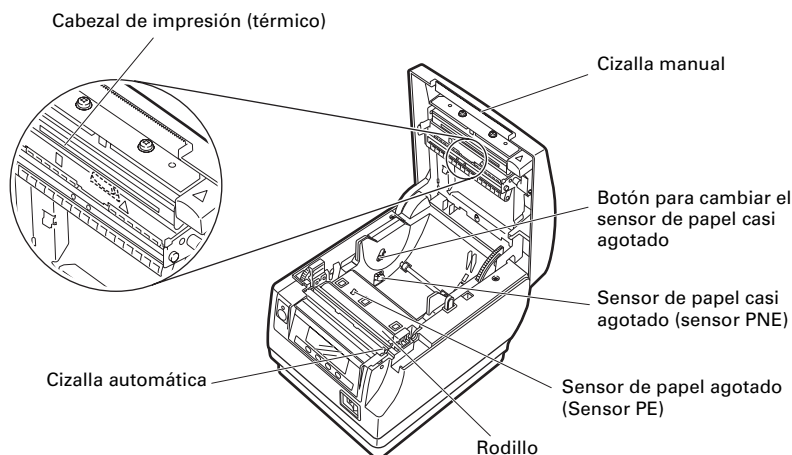
Conectores traseros



Toma de CA (tipo con fuente de alimentación integrada)

- Conector de interfaz (serie, paralelo, USB, etc.)
Conecta el cable de interfaz.
La placa de interfaz serie cuenta con interruptores DIP.
- Conector del cajón portamonedas
Conecta el cable del cajón portamonedas.
- Conector de alimentación (tipo con adaptador de CA)
Conecta el cable del adaptador de CA.
- Toma de CA (tipo con fuente de alimentación integrada)
Conecta el cable de alimentación CA.

2.2 Interior de la tapa del papel



- **Rodillo**
Hace avanzar el papel.
No retire el rodillo salvo para realizar tareas de mantenimiento.
- **Sensor de papel casi agotado (sensor PNE)**
Detecta cuando el rollo de papel está casi agotado. Ajuste la posición del sensor para determinar cuando detecta que queda poco hasta el final del rollo de papel.
- **Botón para cambiar el sensor de papel casi agotado**
Cambie la posición del sensor de papel casi agotado para adaptarla al papel que esté utilizando.



Consulte 3.12 Ajuste del sensor de papel casi agotado

- **Cizalla manual**
Para cortar el papel manualmente cuando finaliza la impresión.
- **Cizalla automática**
Corta el papel automáticamente cuando finaliza la impresión.



Consulte 5.3 Ajuste manual de los interruptores de memoria

- **Cabezal de impresión (térmico)**
Imprime datos de caracteres y gráficos en papel (rollos de papel).

- Sensor de papel agotado (sensor PE)
Detecta cuando no queda papel. La impresión se detiene cuando este sensor detecta que no hay papel.

2.3 Otras funciones integradas

- Zumbador
Suena cuando se produce un error o cuando se realizan operaciones o se dan comandos.



Consulte 4.7 Mensajes de error

- Memoria de usuario
En esta memoria se pueden guardar datos de caracteres o logotipos definidos por el usuario. Dichos datos quedan almacenados en la memoria aunque se apague la impresora. Para obtener información sobre cómo guardar datos, consulte la Referencia de comandos.
- Interruptores de memoria
La configuración de varios tipos de funciones se puede guardar en la memoria. Dicha configuración queda almacenada en la memoria aunque se apague la impresora.
- Desconexión de la fuente de alimentación USB (Cuando el interruptor de memoria MSW6-3 está ajustado en ON)
Cuando la impresora está conectada a un PC mediante USB, al apagar el PC o finalizar la conexión USB, la alimentación USB de la impresora se desconecta al cabo de tres segundos.
Este modo se cancela cuando se vuelve a encender el PC o cuando se establece una conexión USB.



PRECAUCION

- El POWER LED permanece apagado cuando la fuente de alimentación USB está desconectada, y no se puede identificar el estado de desconexión de la alimentación.
- Al pulsar POWER estando la alimentación USB desconectada, la alimentación no se conecta de forma inmediata. Al cabo de unos segundos, la desconexión de la fuente de alimentación USB se cancela, y se conecta con normalidad al pulsar POWER.

- **Funciones de ahorro de papel**
 Los interruptores de memoria MSW8-3 a MSW8-5 se pueden utilizar para configurar los ajustes siguientes, que permiten ahorrar papel.
 - **Supresión del margen superior**
 La parte posterior de la impresora alimenta el papel antes de imprimir, reduciendo así el espacio en blanco en el borde superior del papel. La cantidad de alimentación trasera se puede especificar.
 - **Line gap reduce**
 Automáticamente comprime la cantidad de avance de línea entre líneas. El coeficiente de compresión se puede especificar.
 - **Compresión de texto vertical/horizontal**
 Reduce el tamaño del texto impreso. La cantidad de compresión se especifica mediante una combinación de coeficientes de compresión verticales y horizontales.

- **Función de desplazamiento del punto (MSW8-6)**
 Esta función disipa la carga térmica que se genera al dibujar líneas rayadas verticales o por parte de otros elementos específicos que sobrecalientan el cabezal.
 Si no se reciben datos al cabo de 15 segundos de cada corte o impresión, la posición de impresión se desplaza automáticamente N* puntos a la derecha. La posición de impresión original se recupera en la siguiente ocasión de desplazamiento.
 * N es el valor de ajuste del MSW8-6.



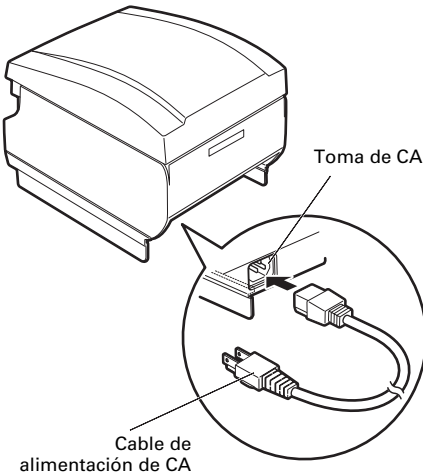
PRECAUCION

- Antes de configurar el ajuste de supresión del margen superior, retire primero cualquier corte parcial de papel de la impresora. De no hacerlo, el papel podría romperse en la siguiente operación de impresión y producir una avería en la impresora.
- Tenga presente las siguientes precauciones cuando utilice la compresión de texto.
 - **El texto comprimido es más difícil de leer que el texto original.**
 - **La compresión de texto horizontal también reduce el rango de impresión, de forma que el número de líneas de impresión no varía. Preste especial atención al rango de impresión cuando utilice papel estrecho.**
 - **No utilice texto comprimido cuando imprima códigos de barras. De hacerlo, el código de barras podría resultar ilegible.**
- Si el margen derecho es muy estrecho, es posible que algunos caracteres de impresión queden cortados. Esta función está desactivada en la configuración inicial. Para activarla, utilice el MSW8-6 para especificar un valor adecuado para la cantidad de desplazamiento.

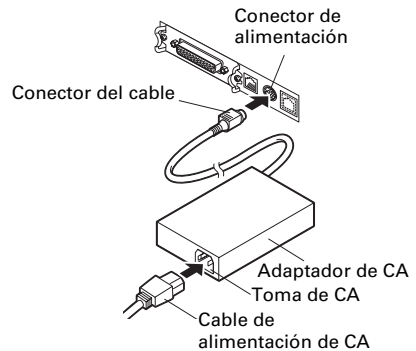
3. INSTALACIÓN

3.1 Conexión del cable de alimentación de CA

1. Desconecte la alimentación.
2.
 - En la impresora del tipo con alimentación integrada, conecte el cable de alimentación de CA a la toma de CA e inserte el enchufe en una toma de corriente eléctrica.
 - En la impresora del tipo con adaptador de CA, conecte el conector del cable del adaptador de CA al conector de alimentación. A continuación, conecte el cable de alimentación de CA a la toma de CA e inserte el enchufe a una toma de corriente eléctrica.



Tipo con fuente de alimentación integrada



Tipo con adaptador de CA



PRECAUCION

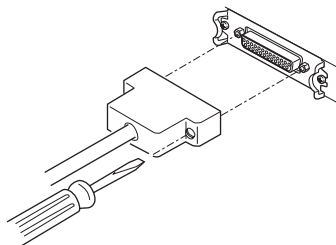
- Utilice exclusivamente un adaptador de CA que cumpla los valores especificados.
- Sujete siempre el conector del cable del adaptador de CA por el conector cuando lo saque o lo inserte.
- Utilice una fuente de alimentación de CA que no alimente a su vez a equipos que generen ruido electromagnético.
- Si tira del cable de alimentación de CA, podría dañarlo, producir un incendio, una descarga eléctrica o la rotura de un hilo del cable.
- Cuando se aproxime una tormenta eléctrica, desenchufe el cable de alimentación de CA de la toma de corriente eléctrica. Un rayo podría ocasionar un incendio o una descarga eléctrica.
- Mantenga el cable de alimentación de CA alejado de los aparatos generadores de calor. El aislamiento del cable de alimentación de CA podría derretirse y ocasionar un incendio o una descarga eléctrica.
- Si no se va a utilizar la impresora durante un periodo prolongado de tiempo, desenchufe el cable de alimentación de CA de la toma de corriente eléctrica.
- Sitúe el cable de alimentación de CA de forma que nadie se tropiece con él.
- En la impresora del tipo con adaptador de CA, asegúrese de desenchufar el cable de alimentación de CA cuando conecte el conector del cable al conector de alimentación. Si el cable de alimentación de CA se deja enchufado a la toma de corriente, los terminales de 24 V y GND del conector del cable pueden entrar en contacto con la cabeza del tornillo u otras partes metálicas y provocar un cortocircuito, lo que tendría como resultado un mal funcionamiento del adaptador de CA.

3.2 Placa de interfaz serie

Los datos se pueden intercambiar mediante comunicación serie.

Conexión de los cables de interfaz

1. **Desconecte la alimentación.**
2. **Oriente cable de interfaz correctamente e insértelo en el conector de interfaz.**



3. **Inserte el otro conector firmemente en el puerto de interfaz de del ordenador host.**

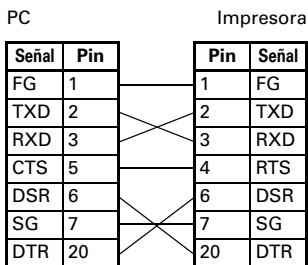


PRECAUCION

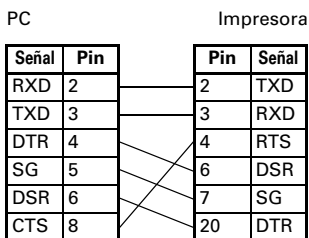
- Cuando desconecte el cable, sujételo siempre por el conector.
- Sitúe el cable de interfaz de forma que nadie se tropiece con él.

Utilice un cable de interfaz serie con el siguiente esquema de conexiones.

Cable de 25 pines – 25 pines



Cable de 9 pines – 25 pines



3.3 Placa de interfaz USB

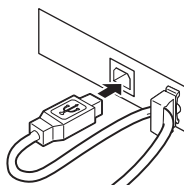
Los datos se pueden intercambiar mediante comunicación USB.

Especificaciones

Estándar	Cumple las especificaciones USB 2.0
Velocidad de transmisión	Admite 12 Mbps (velocidad máxima)

Conexión de los cables de interfaz

1. **Desconecte la alimentación.**
2. **Oriente cable de interfaz correctamente e insértelo en el conector de interfaz.**



3. **Inserte el otro conector firmemente en el puerto de interfaz de del ordenador host.**

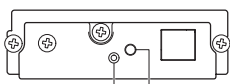


PRECAUCION

- Cuando desconecte el cable, sujételo siempre por el conector.
- Sitúe el cable de interfaz de forma que nadie se tropiece con él.
- Tenga cuidado de no insertar el cable de interfaz USB en el conector del cajón portamonedas.
- Para conectar más de una impresora a un sólo ordenador a través de una interfaz USB, debe cambiar el número de serie de la interfaz USB.

3.4 Placa de interfaz Bluetooth

LED de estado Bluetooth



LED de estado Interruptore

El LED de la placa de interfaz Bluetooth situado en la partes posterior de la impresora indica el estado siguiente.

Estado	Descripción	Estado del LED
Detección en espera (Detectable)	A la espera de detección y conexión	
Conexión en espera (Conectable)	A la espera de conexión	
Conexión iOS	Sesión de datos no abierta	
Comunicando	iOS: sesión de datos abierta Otro OS: conexión establecida y comunicación en curso	
Error	Error o ajustes en proceso de configuración	No iluminado

Operación de emparejamiento

Para realizar una comunicación de datos vía Bluetooth debe realizar las operaciones siguientes la primera vez que establece una conexión Bluetooth.

A: Detectar dispositivos Bluetooth

B: Configurar los ajustes de emparejamiento

A: Detección de dispositivos Bluetooth

Antes de realizar la búsqueda de dispositivos Bluetooth, compruebe que la función Bluetooth está activada en el PC host.

Este producto aparecerá como "CT-S851II_XX" (XX corresponde a los 2 últimos dígitos de la Número de serie única) cuando se detecte.

Seleccione este producto entre los dispositivos detectados.

Nota: puede buscar dispositivos y modificar sus nombres.

Cuando el interruptores de memoria MSW13-5 está ajustado en "No Response" la detección de dispositivos no mostrará nada.

Puede ajustar este valor temporalmente en detección de dispositivo (modo de detección) pulsando el interruptor de la placa de interfaz Bluetooth. El modo de detección se abandona cuando finaliza la conexión con el PC host.

Activación y desactivación de la solicitud de reconexión

Para modificar el ajuste de esta función, se ofrece el método siguiente.

Pulse el botón FEED 3 veces durante el autotest -> Solicitud de reconexión = Valid

Pulse el botón FEED 4 veces durante el autotest -> Solicitud de reconexión = Invalid

Al final del autotest, la configuración nueva se imprimirá como Solicitud de reconexión [Valid] o [Invalid].



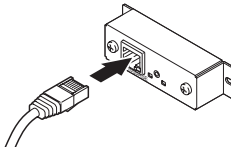
Consulte 4.4 Modo de prueba de funcionamiento

3.5 Placa de interfaz (LAN) Ethernet/Placa de interfaz LAN inalámbrica

En esta sección se ofrece una descripción general de la placa de interfaz. Para obtener más información sobre esta placa, incluidas las explicaciones sobre la función de host USB y la compatibilidad con dispositivos periféricos XML, consulte el manual por separado.

Conexión de los cables de interfaz

- 1. Desconecte la alimentación.**
- 2. Oriente cable de interfaz correctamente e insértelo en el conector de interfaz.**



- 3. Conecte el otro conector a un concentrador (hub), router o dispositivo similar.**

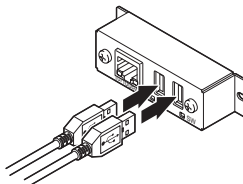


PRECAUCION

- Cuando desconecte el cable, sujételo siempre por el conector.
- Sitúe el cable de interfaz de forma que nadie se tropiece con él.
- Sujete el conector del cable de interfaz Ethernet en posición recta y perpendicular cuando lo conecte y lo desconecte. Si lo sujeta ladeado, podría producirse un fallo de conexión en el conector.

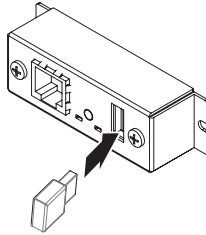
Conexión de un dispositivo periférico

- 1. Desconecte la alimentación.**
- 2. Inserte el cable del dispositivo periférico en el conector.**



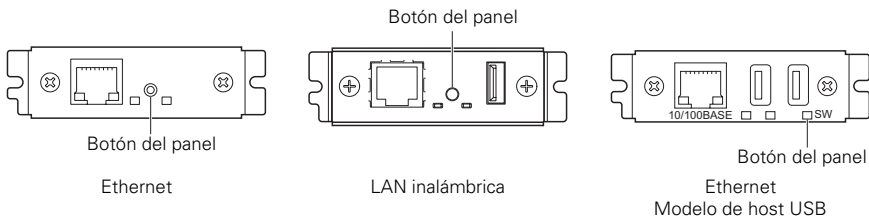
Conexión del adaptador de LAN inalámbrica

1. **Desconecte la alimentación.**
2. **Conecte el adaptador de LAN inalámbrica al conector.**



Funcionamiento del botón del panel

Las operaciones de la placa se realizan mediante el botón del panel en la parte posterior de la placa de LAN.



- **Habilitación de la conexión LAN**
Encienda la impresora. La placa empezará a funcionar al cabo de unos 20 segundos.
- **Impresión de la información de la configuración de LAN**
Pulse el botón del panel.
- **Entrar en el modo de configuración**
Pulse prolongadamente el botón del panel. Sonará un zumbador una vez para indicar que ha entrado en el modo de configuración.
 - Puede utilizar el modo de configuración para leer los ajustes de fábrica.
 - Si no se realiza ninguna operación durante 3 segundos en el modo de configuración, el modo vuelve al modo normal.
- **Restablecimiento de los ajustes de fábrica**
Entre en el modo de configuración de la placa y pulse prolongadamente el botón del panel. Se restablecerán los ajustes de fábrica de la placa.

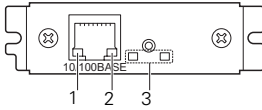


PRECAUCION

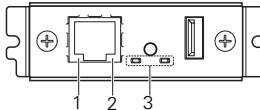
La placa se reiniciará automáticamente una vez realizada esta operación. Tras borrar la configuración, deberá volver a configurar los ajustes de red.

Funciones de los LED

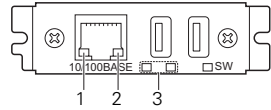
En las tablas siguientes se describe cómo interpretar las indicaciones de los LED.



Ethernet



LAN inalámbrica



Ethernet
Modelo de host USB

1. Velocidad de transmisión de LAN con cable

Velocidad de transmisión	LED (verde)
100 Mbps	Iluminado
10 Mbps/No conectada	No iluminado

2. Estado de conexión/transmisión de LAN con cable

Estado de la conexión	LED (amarillo)
Conectada	Iluminado
No conectada	No iluminado
Transmisión de datos en curso	Parpadeante

3. Estado de la LAN con cable /inalámbrica

Estado de la conexión		LED (verde)	LED (rojo)	Descripción
No hay ninguna impresora conectada		No iluminado	—	La placa no está conectada a una impresora.
Conexión de impresora	No hay conexión de red	Iluminado	No iluminado	La placa está conectada a una impresora.
	Conectada mediante LAN con cable	Iluminado	Parpadeante (ciclo de 1 segundo)	Obteniendo dirección IP del servidor DHCP a través de LAN con cable.
	Funcionamiento a través de LAN con cable	Iluminado	Iluminado	Funcionamiento en red en curso a través de LAN con cable.
	Conectada mediante LAN inalámbrica*	Parpadeante (ciclo de 2 segundo)	Parpadeante (ciclo de 1 segundo)	Conectando a un punto de acceso u obteniendo dirección IP del servidor DHCP a través de LAN inalámbrica.
	Funcionamiento a través de LAN inalámbrica*	Parpadeante (ciclo de 2 segundo)	Iluminado	Funcionamiento en red en curso a través de LAN inalámbrica.
Error de recurso		Parpadeo alternado (ciclo de 1 segundo)		La placa no puede funcionar con normalidad.
Error de sistema		Parpadeo alternado (ciclo de 0,2 segundo)		La placa no puede funcionar con normalidad.

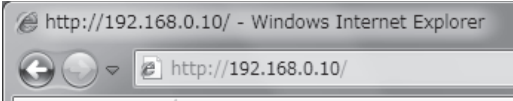
*: Solamente cuando se utilice la LAN inalámbrica

Administrador Web

La placa de interfaz tiene una función de Administrador Web que se puede usar para conectar con la placa mediante un navegador Web y cambiar la configuración de la placa.

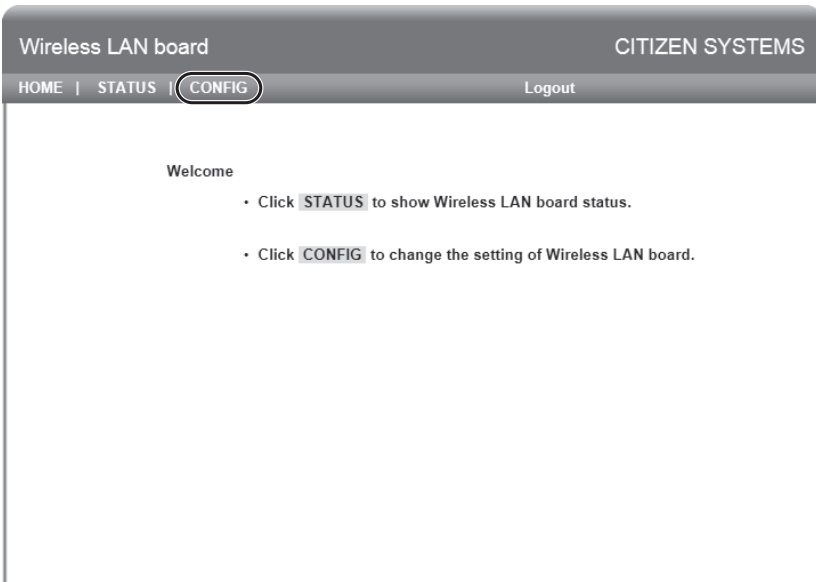
Inicio del Administrador Web

1. **Abra un navegador Web.**
2. **En el campo de dirección, escriba la dirección IP de la placa y luego pulse [Intro].**



Pantalla HOME

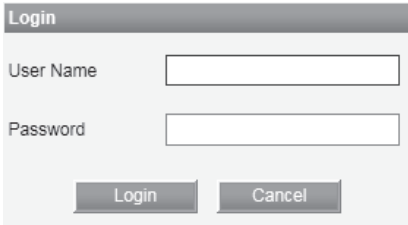
Ésta es la pantalla de inicio del administrador Web.
La siguiente pantalla es un ejemplo de LAN inalámbrica.



Pulse aquí el botón [CONFIG].

Pantalla CONFIG

Mostrará el cuadro de diálogo de Inicio de sesión que aparece a continuación. Inicie sesión como administrador y, a continuación, configure los ajustes de la placa de interfaz.

A screenshot of a 'Login' dialog box. The dialog has a title bar with the word 'Login' in white text on a dark background. Below the title bar, there are two text input fields. The first is labeled 'User Name' and the second is labeled 'Password'. At the bottom of the dialog, there are two buttons: 'Login' and 'Cancel', both with a light gray background and dark text.

- **User Name**
Escriba un nombre de usuario administrador de la placa. (Valor inicial: admin)
- **Password**
Escriba la contraseña del usuario administrador de la placa. (Valor inicial: admin)
- **Botón [Login]**
Una vez escrito el nombre y la contraseña de un usuario administrador, haga clic en el botón [Login]. Aparecerá la pantalla de ajustes.

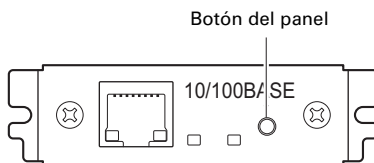
Para obtener más información acerca de los ajustes, consulte el manual por separado.

3.6 La placa de interfaz Ethernet (LAN) + USB del modelo anterior

En esta sección se ofrece una descripción general de la placa de interfaz Ethernet (LAN). Para obtener más información acerca de esta placa, consulte el manual por separado.

Funcionamiento del botón del panel

Las operaciones de la placa se realizan utilizando el botón del panel de la placa Ethernet. Puede utilizar el botón para imprimir información y para restablecer los ajustes de fábrica de la placa.



- Impresión de los datos de configuración de red
Pulse el botón del panel.
- Entrar en el modo de configuración
Pulse prolongadamente el botón del panel. Sonará un zumbador una vez para indicar que ha entrado en el modo de configuración.
 - Puede utilizar el modo de configuración para leer los ajustes de fábrica y para imprimir la información de firmware.
 - Si no realiza ninguna operación durante tres segundos mientras se encuentra en el modo de configuración, sonará un zumbador una vez para indicar que la placa ha vuelto al modo normal.

* Según la configuración, es posible que el zumbador no suene.
- Restablecimiento de los ajustes de fábrica
Entre en el modo de configuración de la placa y pulse prolongadamente el botón del panel. Se restablecerán los ajustes de fábrica de la placa.

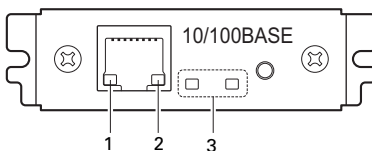


PRECAUCION

- La placa se reiniciará automáticamente una vez realizada esta operación.
- Si los ajustes están configurados para obtener una dirección IP de un servidor DHCP de forma automática, puede que la dirección IP nueva sea distinta de la anterior.

Funciones de los LED

En las tablas siguientes se describe cómo interpretar las indicaciones de los LED.



1. Velocidad de transmisión de la red

Velocidad de transmisión	LED (verde)
100 Mbps	Iluminado
10 Mbps/No conectada	No iluminado

2. Estado de la red

Estado	LED (amarillo)
Conectada	Iluminado
No conectada	No iluminado
Transmisión de datos en curso	Parpadeante

3. Estado de la placa

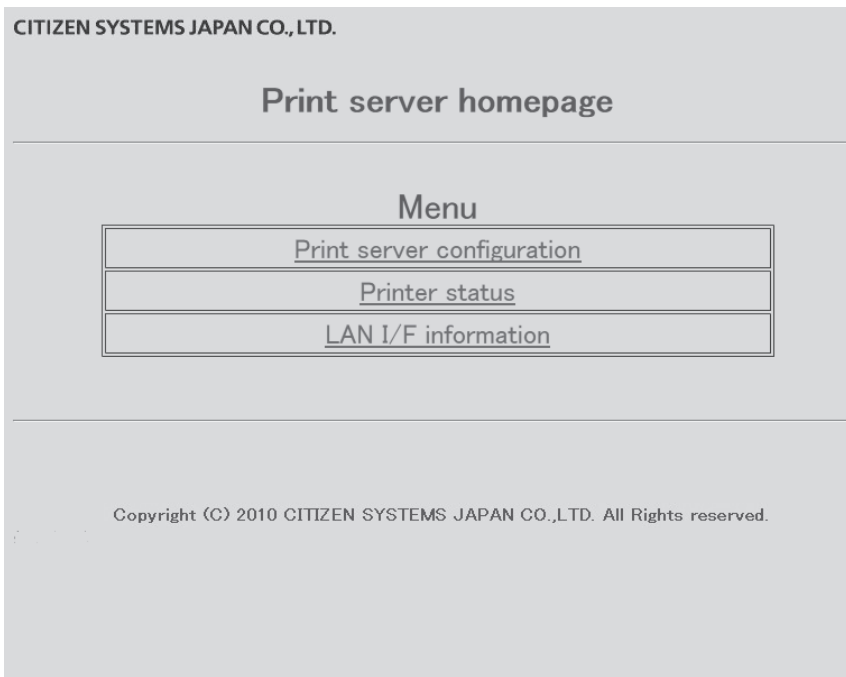
Estado	LED (verde)	LED (rojo)	Descripción
No hay ninguna impresora conectada	No iluminado	—	La placa no está conectada a una impresora.
Conectando con impresora	Iluminado	—	La placa está conectada a una impresora.
No hay conexión de red	—	No iluminado	La placa no está conectada a una red.
Obteniendo dirección IP	—	Parpadeante (ciclo de 0,5 segundo)	Obteniendo dirección IP del servidor DHCP.
Conectada a red	—	Iluminado	Conexión de red finalizada.
Error de recurso	Parpadeo alternado (ciclo de 0,5 segundo)		La placa no puede funcionar con normalidad.
Error de sistema	Parpadeo alternado (ciclo de 0,1 segundo)		La placa no puede funcionar con normalidad.

Modificación de los ajustes de red

Puede utilizar un navegador Web para acceder a una página de ajustes especiales y comprobar y modificar los ajustes de la placa.

● Acceso a la página de ajustes especiales

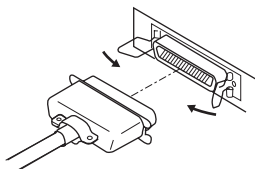
1. **Utilice un navegador Web para acceder a la dirección URL de la página de ajustes especiales. Especifique la dirección IP asignada a la impresora como dirección URL. (Ejemplo: si la dirección IP es 169.254.1.10 introduzca <http://169.254.1.10>.)**
2. **Aparecerá la página de menús de la página de ajustes especiales.**



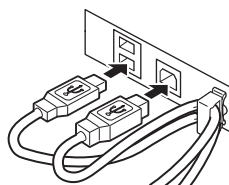
3. **Seleccione "Print server configuration" para ver la pantalla de ajustes. Para obtener más información acerca de los ajustes, consulte el manual por separado.**

3.7 Conexión de los otros cables de interfaz

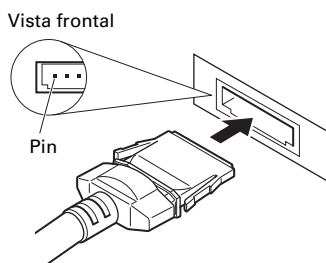
1. Desconecte la alimentación.
2. Oriente cable de interfaz correctamente e insértelo en el conector de interfaz.



Interfaz paralelo



Interfaz USB (tipo con concentrador)



Interfaz Powered USB

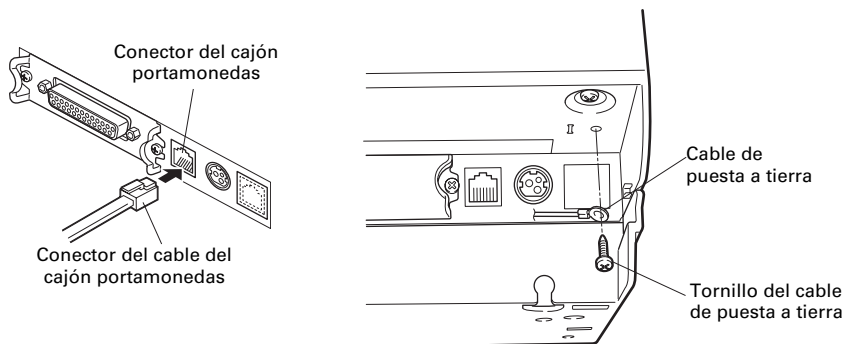


PRECAUCIÓN

- **Desconecte siempre el adaptador de CA de la impresora antes de conectar la impresora a una interfaz Powered USB. De no hacerlo, el PC al que está conectado podría resultar dañado. Para obtener información sobre cómo instalar una interfaz Powered USB, póngase en contacto con su distribuidor Citizen Systems.**
- Compruebe la orientación del conector del cable Powered USB antes de conectarlo. Insértelo recto procurando que no se doblen los pines. Insértelo hasta que encaje en su sitio.
- Cuando desconecte el cable, sujételo siempre por el conector.
- Tenga cuidado de no insertar el cable de interfaz USB en el conector del cajón portamonedas.
- Para conectar más de una impresora a un sólo ordenador a través de una interfaz USB, debe cambiar el número de serie de la interfaz USB.

3.8 Conexión del cajón portamonedas

1. Desconecte la alimentación.
2. Compruebe la orientación del conector del cable del cajón portamonedas y conéctelo al conector del cajón portamonedas en la parte trasera de la impresora.
3. Extraiga el tornillo del cable de puesta a tierra.
4. Atornille el cable de puesta a tierra del cajón portamonedas al cuerpo de la impresora.

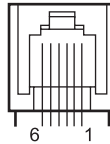


PRECAUCION

- Conecte únicamente el conector del cable del cajón portamonedas al conector del cajón portamonedas. (No conecte un cable de línea telefónica.)
- Las señales no pueden salir por el conector del cajón portamonedas mientras se está imprimiendo.

(1) Configuración de contactos del conector

Nº	Señal	Función
1	FG	Tierra del chasis
2	DRAWER1	Señal de activación del cajón portamonedas 1
3	DRSW	Entrada del interruptor del cajón portamonedas
4	VDR	Alimentación de activación del cajón portamonedas
5	DRAWER2	Señal de activación del cajón portamonedas 2
6	GND	Puesta a tierra de señales (puesta a tierra común en circuitos)



Conector utilizado:
TM5RJ3-66 (Hirose) o
equivalente
Conector aplicable:
TM3P-66P (Hirose) o
equivalente

(2) Características eléctricas

1) Tensión de activación: 24 V CC

2) Corriente de activación: 1 A máx. aprox. (no más de 510 ms.)

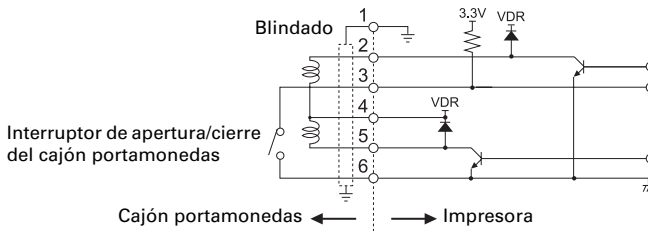
3) Señal DRSW: Niveles de señales: "L" = 0 a 0,8 V, "H" = 2 a 3,3 V

(3) Señal DRSW

El estado de la señal DRSW puede ser probado con el comando DLE+EOT, GS+a o GS+r o en el contacto 34 del puerto de interfaz paralelo.

(4) Circuito de activación

Conector del cajón portamonedas

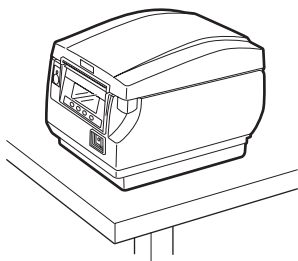


PRECAUCION

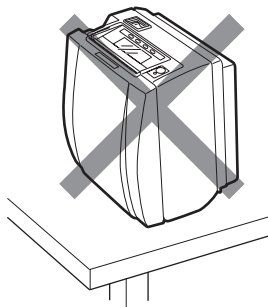
- Los cajones portamonedas 1 y 2 no se pueden al mismo tiempo.
- El solenoide que se utilice para el cajón portamonedas debe ser de 24 Ω o más. La corriente eléctrica no debe ser de más de 1 A. Una corriente excesiva podría dañar o quemar los circuitos.

3.9 Precauciones para la instalación de la impresora

La impresora sólo se puede colocar en posición horizontal. No se puede colocar en posición vertical o colgar de una pared.



Posición horizontal



Posición vertical



PRECAUCION

No utilice la impresora en las siguientes condiciones.

- Lugares inestables o sometidos a vibraciones.
- Lugares muy sucios o polvorientos.
- Lugares en los que la impresora no esté nivelada.
- **La impresora podría caerse o provocar lesiones.**
- **La calidad de impresión podría deteriorarse.**
- Orientada de forma distinta a la especificada.
- **La impresora podría funcionar incorrectamente, resultar dañada u ocasionar una descarga eléctrica.**

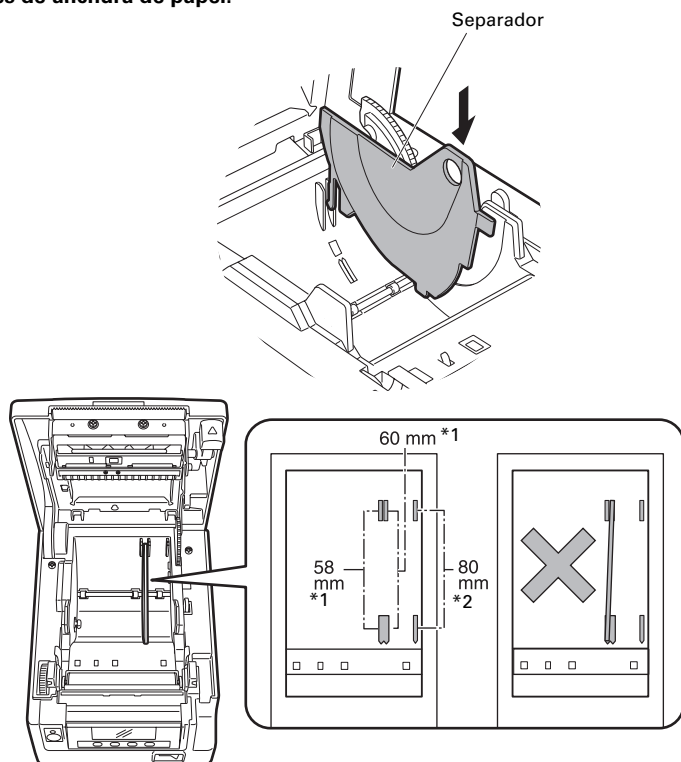
3.10 Separador para rollo de papel

Ajuste el separador al ancho del rollo de papel que vaya a cargar.

El separador viene ajustado de fábrica en la posición siguiente.

- Para tipo de 3 pulgadas: rollo de papel de 80 mm de ancho
- Para tipo de 2 pulgadas: rollo de papel de 58 mm de ancho (separador de 2 hojas instalado.)

1. **Desconecte la alimentación.**
2. **Presione el botón de apertura de la tapa para abrir la tapa del papel.**
3. **Haga presión en la posición que indica la flecha y sitúe el separador en la ranura correspondiente al ancho del rollo de papel que vaya a utilizar. No obstante, si va a utilizar un rollo de papel de 83 mm de ancho, retire el separador.**
4. **Consulte "5.3 Ajuste manual de los interruptores de memoria" para modificar los ajustes de anchura de papel.**



Notas:

*1: Tipo de 2 pulgadas (58/60 mm)

*2: Tipo de 3 pulgadas (80/83 mm)

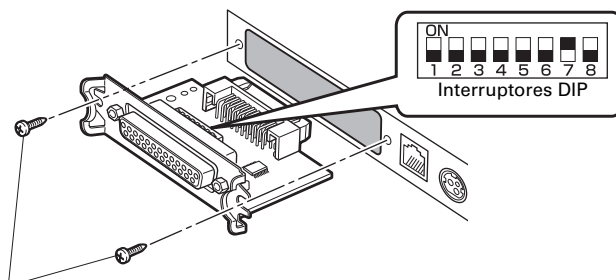


PRECAUCION

Asegúrese de que el separador no está torcido cuando lo ajuste para rodillos de papel de 58 mm y 60 mm.

3.11 Ajuste de los interruptores DIP en la placa de interfaz serie

1. Apague la impresora y desenchufe el cable de alimentación de la toma de corriente eléctrica.
2. Retire los tornillos de fijación placa de interfaz serie.
3. Extraiga la placa de interfaz serie de la impresora.
4. Ajuste los interruptores DIP con arreglo a la tabla siguiente.



Tornillos de fijación de la placa de interfaz



PRECAUCION

Quando ajuste los interruptores DIP, no retire ningún otro tornillo salvo los tornillos de fijación de la placa de interfaz serie.

A continuación se muestra la función de cada interruptor. (Los valores sombreados son ajustes de fábrica. No obstante, los ajustes de fábrica varían según el mercado de destino.)

Nº de interruptor	Función	ON	OFF
1	Ajuste de los parámetros de comunicación	Según la configuración de los interruptores DIP	Según la configuración de los interruptores de memoria
2	Establecimiento de conexión	XON/XOFF	DTR/DSR
3	Longitud de bits	7 bits	8 bits
4	Verificación de paridad	Sí	No
5	Selección de paridad	Par	Impar
6	Selección de velocidad de transmisión en baudios	Consultar la tabla siguiente.	
7			
8	INIT	Inicialización	No válido

Selección de velocidad de transmisión en baudios

Velocidad de transmisión en baudios (bps)	Nº de interruptor	
	6	7
2400	OFF	OFF
4800	ON	OFF
9600	OFF	ON
19200	ON	ON

Quando el interruptor N° 1 está ajustado en OFF, puede utilizar un comando o un interruptor de memoria para seleccionar 1200, 38400, 57600 ó 115200 bps.

3.12 Ajuste del sensor de papel casi agotado

Modifique la configuración del sensor de papel casi agotado para ajustar la posición en la que se detectará que se está agotando el papel.

1. Utilice un objeto puntiagudo, como un bolígrafo, para presionar suavemente el botón y cambiar el sensor de papel casi agotado.
2. Pulse prolongadamente el botón mientras mueve el sensor de papel casi agotado hacia arriba, hacia abajo, a la derecha y a la izquierda. A continuación se muestran las posiciones del sensor según el diámetro del rollo de papel utilizado.

(Unidad: mm)

Posición del sensor	Diámetro con el que se detecta que queda poco papel	Diámetro externo del tubo del rollo de papel utilizado
A	$\phi 31$	$\phi 18$
B*	$\phi 23$	$\phi 18$
C	La función de sensor de papel casi agotado está desactivada	

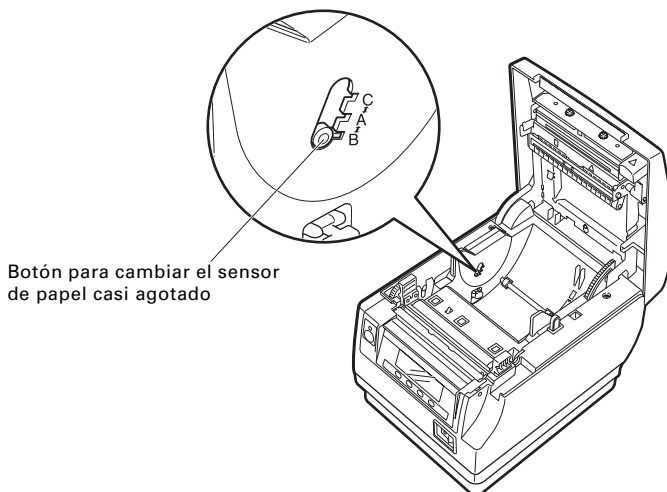
Nota:

*: Posición del sensor al salir de fábrica. No obstante, los ajustes de fábrica varían según el mercado de destino.



PRECAUCION

- La cantidad de papel que queda en el rollo (diámetro del rollo) depende del tipo de papel empleado.
- Los diámetros de rollo de papel de la tabla se ofrecen a título orientativo.

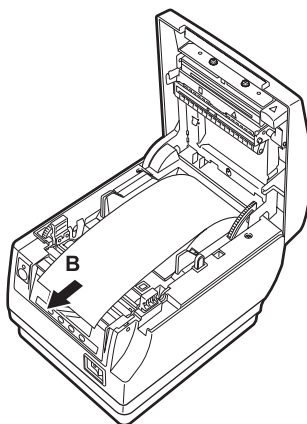
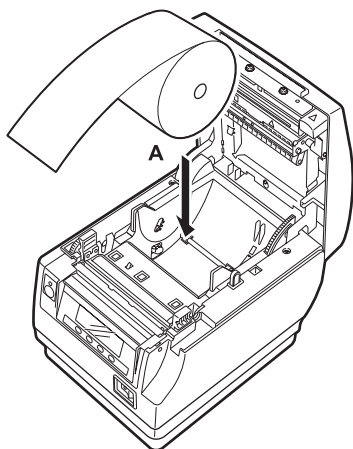
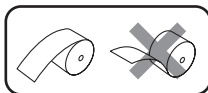


3.13 Carga del papel

1. Conecte la alimentación.
2. Presione el botón de apertura de la tapa para abrir la tapa del papel.
3. Cargue el rollo de papel con la cara de impresión hacia arriba, como indica la flecha A.
4. Saque unos centímetros de papel hacia fuera siguiendo la dirección de la flecha B.
5. Cierre la tapa del papel hasta que encaje en su sitio. El papel se alimenta y se corta automáticamente (según la configuración de fábrica).



Consulte 5.3 Ajuste manual de los interruptores de memoria



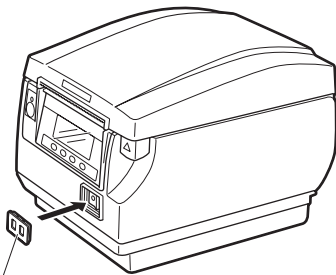
PRECAUCION

- Utilice siempre los tipos de rollo de papel especificados.
- Compruebe que el rollo de papel está colocado correctamente.
- Si el papel está torcido y no sale recto por la tapa del papel, abra la tapa y enderece el papel.
- Saque unos centímetros de papel afuera de la impresora cuando abra la tapa del papel con papel cargado.
- Haga presión sobre el centro de la tapa del papel para cerrarla de forma segura.
- Tenga cuidado para no cortarse con el papel mientras lo carga.
- No toque el cabezal de impresión, la cizalla manual o la cizalla automática cuando la tapa del papel esté abierta. De hacerlo, podría sufrir quemaduras o cortes.

3.14 Colocación de la tapa del interruptor de alimentación

Coloque esta tapa para impedir el uso del interruptor de alimentación.

1. Presione la tapa del interruptor de alimentación hasta encajarla completamente en el compartimento del interruptor de alimentación.



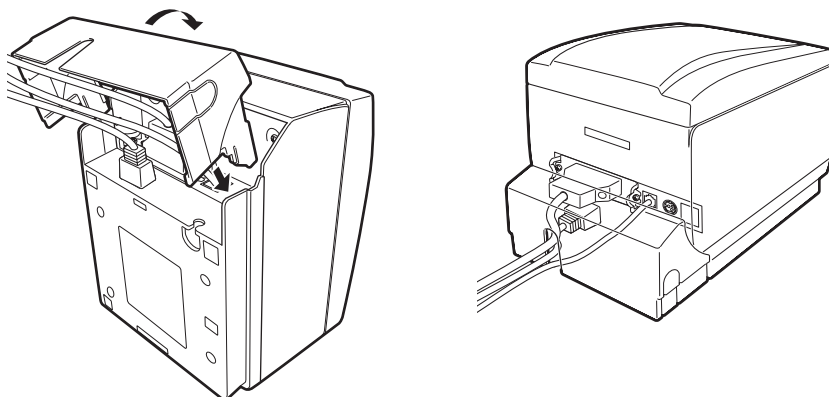
Tapa del interruptor de alimentación

Inserte un destornillador u otro objeto puntiagudo en las ranuras de la tapa del interruptor de alimentación para extraerla.

3.15 Colocación de la tapa de conexiones

Coloque la tapa de conexiones en la parte trasera de la impresora.
La forma de la tapa de conexiones varía según el tipo de fuente de alimentación.

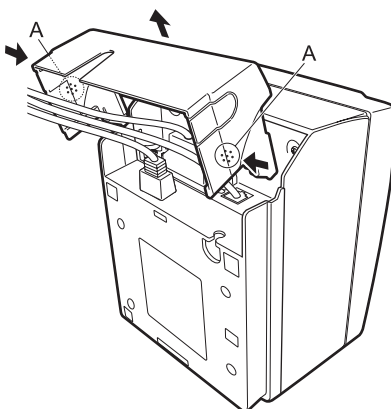
1. Presione la tapa de conexiones como se indica en el diagrama hasta que oiga un chasquido.



CT-S851IIS

3.16 Extracción de la tapa de conexiones

Presione simultáneamente en el punto A a ambos lados para retirar la tapa de conexiones.



CT-S851IIS

3.17 Sitio de descarga de varios archivos electrónicos

Puede consultar información de asistencia y descargar los documentos, controladores, utilidades, etc. del siguiente sitio.

<https://www.citizen-systems.co.jp/en/printer/download/#CT-S851II>

3.18 Precauciones para la creación de aplicaciones y operaciones prácticas

Si la impresión se realiza inmediatamente después del corte parcial y rotura del papel, es posible que la parte superior de la impresión siguiente quede distorsionada. Se recomienda que antes de imprimir se haga avanzar el papel una línea después de realizado el corte.

Si utiliza una interfaz serie con una velocidad de transmisión de datos lenta, puede que aparezcan bandas blancas en las impresiones cuando se impriman gráficos o texto con degradado, que requieren grandes cantidades de datos.

Las interfaces USB pueden verse afectadas por interferencias electromagnéticas procedentes del host o ambientales.

Si fuera el caso, procure utilizar un cable con núcleos de ferrita en ambos extremos, ya que son muy eficaces eliminando las interferencias electromagnéticas (EMI).

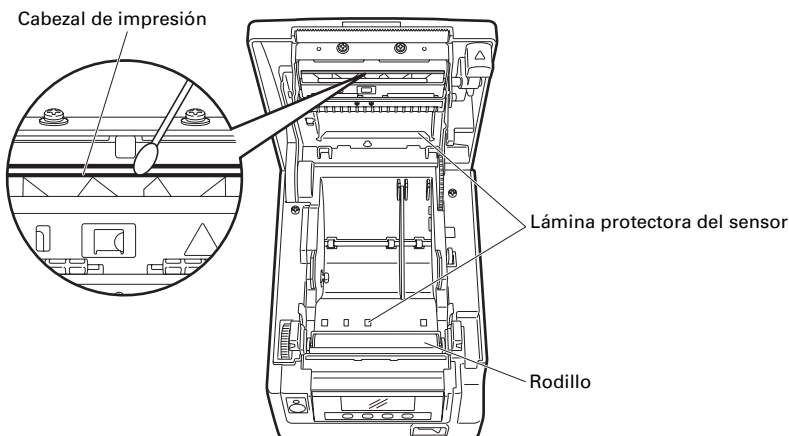
4. MANTENIMIENTO Y LOCALIZACION DE AVERIAS

4.1 Limpieza periódica

Un cabezal de impresión o rodillo sucio puede reducir la calidad de impresión u ocasionar fallos de funcionamiento. Además, si se acumula polvo del papel en la lámina protectora del sensor, el papel no se podrá detectar correctamente. Recomendamos limpiar la impresora de forma regular (cada 2 ó 3 meses) como se indica a continuación.

1. **Desconecte la alimentación.**
2. **Presione el botón de apertura de la tapa para abrir la tapa del papel.**
3. **Espere unos minutos hasta que se haya enfriado el cabezal de impresión.**
4. **Utilice un bastón de algodón humedecido en alcohol etílico para limpiar la suciedad y el polvo que pueda haberse acumulado en el cabezal de impresión o en el rodillo.**
5. **Utilice un bastoncillo de algodón humedecido en un poco de agua para limpiar la lámina protectora del sensor.**

Antes de aplicarlo, asegúrese de que no haya gotas de agua en el bastoncillo de algodón.



PRECAUCION

- El cabezal de impresión está caliente justamente después de imprimir. No lo toque.
- No toque el cabezal de impresión con las manos desnudas o con un objeto metálico.
- No utilice alcohol o limpiadores químicos para limpiar la superficie de la lámina protectora del sensor. De hacerlo, podría empañarla.
- Cuando las etiquetas adhesivas se cortan por completo, pueden quedar virutas de papel adheridas al rodillo, según las condiciones ambientales de la impresora, el diámetro del rodillo de papel y la calidad de la hoja de protección de las etiquetas.

4.2 Desbloqueo de la cizalla (1)

Si hay un objeto extraño o un atasco de papel que esté obstruyendo la cuchilla de la cizalla automática, ésta puede quedar en posición extendida y puede que aparezca el mensaje “Bloqueo cuchilla”.



Si aparece “Bloqueo cuchilla”, desbloquee la cizalla como se indica a continuación.

1. **Conecte la alimentación.**
2. **Presione el botón de apertura de la tapa para abrir la tapa del papel.**
3. **Retire el papel atascado incluido cualquier residuo del mismo. (Retire también el rollo de papel que haya en el portarrollo.)**
4. **Vuelva a colocar el rollo de papel y cierre la tapa del papel.**



PRECAUCION

- El cabezal de impresión está caliente justamente después de imprimir. No lo toque.
- No toque el cabezal de impresión con las manos desnudas o con un objeto metálico.

Si, una vez realizado el procedimiento indicado en “Desbloqueo de la cizalla (1)” y posteriormente abierta la tapa del papel, la cuchilla de la cizalla automática está extendida, realice el procedimiento que se indica en “Desbloqueo de la cizalla (2)”.



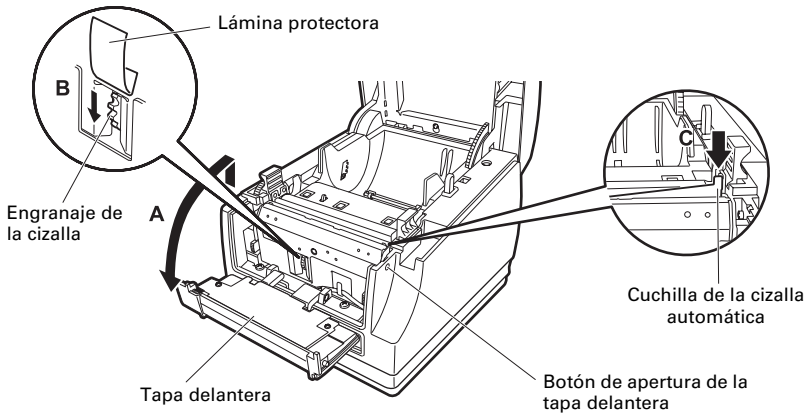
Consulte 4.3 Desbloqueo de la cizalla (2)

4.3 Desbloqueo de la cizalla (2)

La tapa del papel ha sido diseñada para abrirse presionando el botón de apertura de la tapa en caso de bloqueo de la cizalla. Si la tapa del papel no se abre de esta forma, siga el procedimiento que se indica a continuación para desbloquear la cizalla.

1. **Apague la impresora y desenchufe el cable de alimentación de la toma de corriente eléctrica.**
2. **Presione el botón de apertura de la tapa para abrir la tapa del papel.**
3. **Mientras presiona el botón de apertura de la tapa delantera con un bolígrafo u otro objeto, desplace la tapa delantera unos 10 mm hacia arriba.**
4. **Gire la tapa delantera hacia delante en la dirección de la flecha A.**

5. **Levante la lámina protectora y gire el engranaje de la cizalla en la dirección de la flecha B para retornar la cizalla automática a una posición que permita abrir la tapa del papel.**
Gire el engranaje de la cizalla hasta que la cuchilla de la cizalla automática se retraiga en la dirección de la flecha C. Si la cuchilla de la cizalla automática no se mueve al girar el engranaje de la cizalla en la dirección de la flecha B, gírelo en la dirección contraria.
6. **Retire el objeto que haya ocasionado el bloqueo de la cizalla.**
7. **Cierre la tapa delantera.**
Gire la tapa delantera en dirección contraria a la flecha A y presione sobre parte superior hasta que encaje en su sitio.
8. **Coloque un rollo de papel y cierre la tapa del papel.**
9. **Inserte el enchufe del cable de alimentación en una toma de corriente eléctrica y encienda la impresora.**
Compruebe que el LED se ilumina en verde.



PRECAUCION

- Antes de empezar a realizar las tareas de mantenimiento, apague la impresora y desenchufe el cable de alimentación de la toma de corriente eléctrica.
- Tenga cuidado para no tocar la cizalla manual mientras la tapa delantera está abierta.
- Tenga cuidado para no tocar la abertura de la cizalla automática mientras la tapa del papel está abierta.
- El cabezal de impresión está caliente justamente después de imprimir. No lo toque.
- No toque el cabezal de impresión con las manos desnudas o con un objeto metálico.
- Si el procedimiento anterior no retrae la cizalla automática, póngase en contacto con su distribuidor Citizen Systems.

4.4 Modo de prueba de funcionamiento

Pulse prolongadamente el botón 1 mientras enciende la impresora para acceder al modo de prueba de funcionamiento.

Utilice el botón 3 (▼) para seleccionar una función, y el botón 4 (■) para ejecutarla.

Salvo el autodiagnóstico y la impresión de configuración de los interruptores de memoria, todas las funciones están exclusivamente destinadas al personal técnico. No utilice dichas funciones.

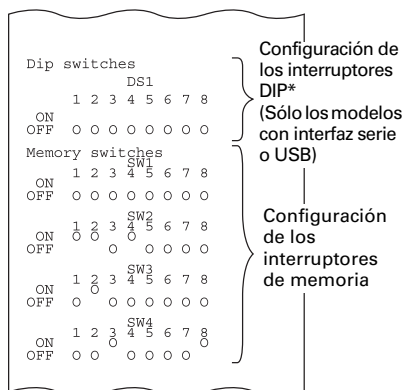
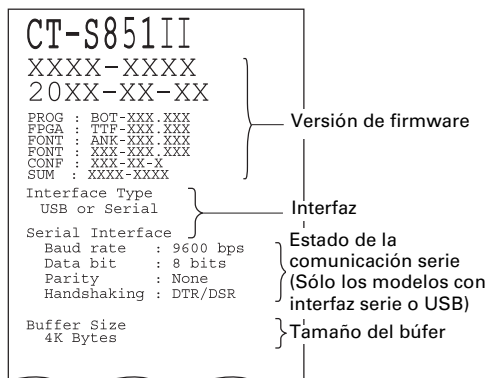
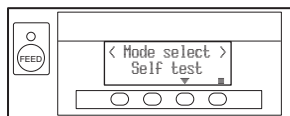
Autodiagnóstico

1. Con papel cargado, pulse prolongadamente el botón 1 mientras enciende la impresora.

Se inicia el modo de prueba de funcionamiento y "Self test" aparece en la pantalla LCD.

2. Pulse el botón 4 (■).

Comienza el autodiagnóstico. La impresora imprime el nombre de modelo, la versión, la configuración de los interruptores DIP, la configuración de los interruptores de memoria y la lista de fuentes incorporadas.

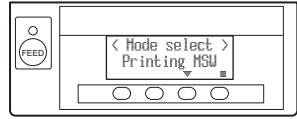


Nota:

*: Las impresoras con interfaz USB no disponen de interruptores DIP; por tanto, dichos interruptores DIP aparecerán desactivados del informe impreso del autodiagnóstico.

Impresión de configuración de los interruptores de memoria

1. Con papel cargado, pulse prolongadamente el botón 1 mientras enciende la impresora.
Se inicia el modo de prueba de funcionamiento y "Self test" aparece en la pantalla LCD.
2. Pulse el botón 3 (▼).
"Printing MSW" aparece en la pantalla LCD.
3. Pulse el botón 4 (■).
Se imprime una lista de la configuración de los interruptores de memoria actual.



El modo de prueba de funcionamiento tiene los submodos siguientes.

Función	Descripción
Self test	Realiza un autodiagnóstico.
Printing MSW	Imprime la configuración de los interruptores de memoria.
Quick Setting *	Ajusta los interruptores de memoria para hacerlos compatibles con determinados modelos.

Nota:

*: Los interruptores de memoria se ajustan automáticamente en sus valores óptimos seleccionando el fabricante y el modelo de la impresora que se va a cambiar.

Elemento seleccionado

Manufacturer	Model	Paper width	Character space
CITIZEN	CBM1000	58 mm	—
		80 mm	—
	CT-S300	58 mm	—
		80 mm	—
	CT-S2000	58 mm	—
		60 mm	—
		80 mm	—
83 mm		—	
EPSON	T88	58 mm	0dot
			1dot
		80 mm	0dot
			1dot
	203dpi	58 mm	—
		60 mm	—
80 mm		—	

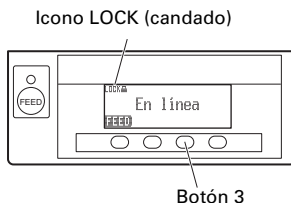


Configuración automática de los interruptores de memoria

MSW2-4 Full Col Print	MSW3-7 CBM1000 Mode	MSW8-1 Print Width	MSW6-2 Character Space
LineFeed	Valid	432dots	—
LineFeed	Valid	576dots	—
WaitData	Invalid	384dots	—
WaitData	Invalid	576dots	—
LineFeed	Valid	432dots	—
LineFeed	Valid	436dots	—
LineFeed	Valid	576dots	—
LineFeed	Valid	640dots	—
WaitData	Invalid	360dots	0dot
WaitData	Invalid	390dots	1dot
WaitData	Invalid	512dots	0dot
WaitData	Invalid	546dots	1dot
WaitData	Invalid	420dots	—
WaitData	Invalid	436dots	—
WaitData	Invalid	576dots	—

4.5 Función de bloqueo de las teclas

Presione prolongadamente el botón MENU con la impresora en marcha para modificar la configuración de los interruptores de memoria. Active el bloqueo de las teclas para evitar que se hagan cambios accidentalmente.



Activación del bloqueo de las teclas

Para activar el bloqueo de las teclas, pulse prolongadamente el botón 3 (durante al menos tres segundos).

MENU desaparece y aparece el icono LOCK.

En este estado, no se puede entrar en el modo de configuración de los interruptores de memoria aunque pulse prolongadamente el botón MENU.

Desactivación del bloqueo de las teclas

Para desactivar el bloqueo de las teclas, pulse prolongadamente el botón 3 (durante al menos tres segundos).

El icono LOCK desaparece y aparece MENU.

4.6 Impresión de volcado hexadecimal

Los datos recibidos se imprimen en hexadecimal. Si se produjeran problemas como la pérdida o la duplicación de datos, etc., con esta función podrá verificar si la impresora está recibiendo los datos correctamente.

Cómo realizar la impresión de volcado hexadecimal

1. Coloque el papel.
2. Con la tapa del papel abierta, pulse prolongadamente el botón 1 mientras enciende la impresora y, a continuación, cierre la tapa del papel. Entre en el modo de impresión de volcado hexadecimal.
3. La impresora imprime "HEX dump print mode" seguido de los datos recibidos impresos en números hexadecimales y algunos caracteres.

Cómo detener la impresión de volcado hexadecimal

Siga uno de estos pasos para detener la impresión.

- Pulse el botón 1 tres veces seguidas.
- Desconecte la alimentación.
- Reciba un comando de inicialización a través de una interfaz.



PRECAUCION

- La impresora imprime "." si no existen caracteres correspondientes a los datos.
- Durante la impresión de volcado hexadecimal no funciona ningún comando.
- Si los datos de impresión no ocupan una línea completa, pulse el botón 1 para hacer avanzar el papel.

Ejemplo de impresión

HEX dump print mode

```
61 62 63 64 65 66 67 0A 0D 0D 0D 0D abcdefg.....  
0D 0D 0D .....  
.....
```

4.7 Mensajes de error

- Fin papel

El final del rollo de papel se detecta en dos etapas, papel casi agotado y papel agotado.

Cuando se detecta que el papel está casi agotado, "PAPER LOW" aparece en la pantalla LCD y el LED se ilumina en naranja. Prepare un rollo de papel nuevo.

Cuando se detecta que se ha agotado el papel, "Fin papel" aparece en la pantalla LCD y el LED se ilumina en rojo. Coloque un rollo de papel nuevo.

- Tapa papel abre

No abra la tapa del papel mientras se está imprimiendo. Si abre la tapa del papel, el LED y la pantalla LCD se iluminarán en rojo. Compruebe el papel y saque siempre unos centímetros de papel hacia fuera de la impresora antes de cerrar la tapa del papel. La impresión se reanuda. Puede que sea necesario enviar un comando para reanudar la impresión según la configuración de los interruptores de memoria.

- Bloqueo cuchilla

Si la cizalla automática no se puede mover debido a un atasco de papel u otro motivo, el LED y la pantalla LCD se iluminarán en rojo. Elimine la causa del problema y pulse el pulsador 1 (FEED). Si la cizalla automática sigue sin funcionar y la tapa del papel no se abre, consulte "4.3 Desbloqueo de la cizalla (2)".



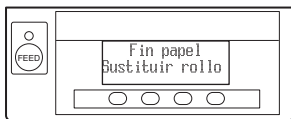
Consulte 4.3 Desbloqueo de la cizalla (2)

- Cabezal recal.

Cuando se imprimen caracteres densos, imágenes oscuras o durante mucho tiempo en un ambiente caluroso, la temperatura del cabezal de impresión aumenta. Si el cabezal de impresión sobrepasa una temperatura especificada, la impresora deja de imprimir y espera hasta que se enfríe el cabezal de impresión. Cuando esto sucede, el LED y la pantalla LCD se iluminan en naranja. La impresión se reanuda automáticamente cuando se haya enfriado el cabezal de impresión.

A continuación se muestra la situación que se da cuando se producen distintos errores.

La línea superior de la pantalla LCD indica el tipo de error y la línea inferior, la solución. Desplácese por los mensajes que tengan más de 16 caracteres.



Estado	Mensaje	LED	Retroiluminación	Zumbador*2
Papel casi agotado	PAPER LOW	Naranja	—	No
Papel agotado	Fin papel Sustituir rollo papel.	Rojo	Rojo	Sí
Tapa delantera abierta	Tapa front. abre Cerrar tapa frontal	Rojo	—	No
Tapa del papel abierta	Tapa papel abre Cerrar cubierta papel	Rojo	—	No
Cizalla bloqueada	Bloqueo cuchilla Abrir tapa y quitar atasco	Rojo	Rojo	Sí
Error de marca negra	Error marcanegra Controlar papel	Rojo	Rojo	Sí
Cabezal de impresión caliente	Cabezal recal. Espere, continuará.	Naranja	—	No
Error de la memoria	Error memoria	Rojo	—	Sí
Error de sistema	Error de sistema Contactar distribuidor	Rojo	Rojo	No
Error del cabezal de impresión	Error cabezal Contactar distribuidor	Rojo	Rojo	Sí
Error del motor	Error de motor Contactar distribuidor	Rojo	Rojo	Sí
Error de tensión baja	Error B voltaje Contactar distribuidor	Rojo	Rojo	Sí
Error de tensión alta	Error A voltaje Contactar distribuidor	Rojo	Rojo	Sí
Error de tensión en el cajón portamonedas	Error bandeja Contactar distribuidor	Rojo	Rojo	Sí
Esperando ejecución de macro *1	Pulse una tecla -> Ejecutando macro	Parpadea en verde	—	No

Notas:

*1: El LED puede iluminarse durante la ejecución de una macro.

*2: El zumbador suena cuando MSW5-1 (ajuste del zumbador) está ajustado en ON. Tenga en cuenta, sin embargo, que algunas combinaciones de ajuste del MSW5-1 y MSW10-5 pueden variar las circunstancias en las que suene el zumbador.

4.8 Atascos de papel

Procure que no se obstruya la salida de papel y se produzcan atascos alrededor de la salida al imprimir.

Si el papel no puede salir de la impresora, puede arrollarse en el rodillo dentro de la impresora y provocar un error.

Si el papel se enrolla alrededor del rodillo, abra la tapa del papel y con cuidado tire del papel para sacarlo.

4.9 Precauciones al utilizar la interfaz serie

Al utilizar la interfaz serie, algunas condiciones de impresión pueden producir bandas blancas en las impresiones y fallos de alimentación. Para evitar estos problemas, modifique la configuración de los interruptores de memoria como se indica a continuación.

1. **Cambie MSW7-1 (velocidad de transmisión en baudios serie) a un ajuste de velocidad de transmisión en baudios más alto.**
2. **Cambie MSW10-2 (velocidad de impresión) a un valor más bajo.**



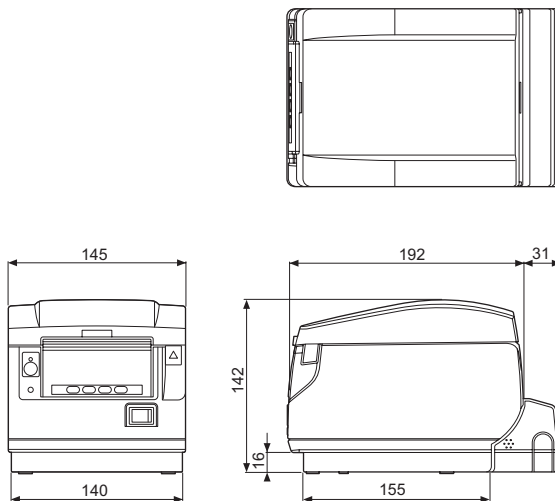
PRECAUCION

Según la velocidad de transmisión de la interfaz serie, la temperatura ambiente, el volumen de datos de impresión y otros factores, puede que la modificación de los ajustes anteriores no subsane el problema.

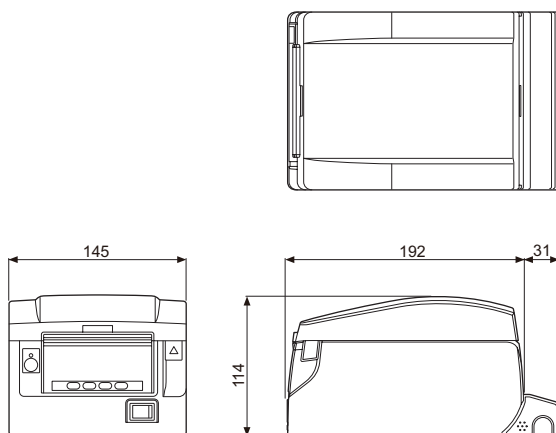
5. OTROS

5.1 Vistas externas y dimensiones

(Unidad: mm)



Tipo con fuente de alimentación integrada



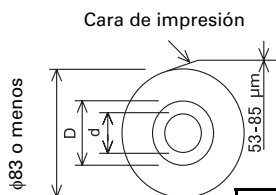
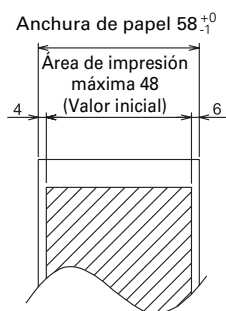
Tipo con adaptador de CA

5.2 Papel de Impresión

Utilice el papel que se muestra en la tabla siguiente o papel de calidad equivalente.

Tipo de papel	Nombre del producto
Papel térmico en rollo recomendado	TF50KS-E2D, TF50KS-E o TF60KS-E de Nippon Paper PD150R o PD160R de Ohji Paper P220AG, HP220A, HP220AB-1, F230AA, P220AB o PB670 (papel bicolor) de Mitsubishi Paper

(Unidad: mm)



Grosor del papel (μm)	53-75	75-85
Diámetro interno del tubo central d (mm)	$\phi 12$	$\phi 25,4$
Diámetro externo del tubo central D (mm)	$\phi 18$	$\phi 32$



PRECAUCION

Utilice papel que haya sido enrollado de la siguiente forma:

- Sin arrugar, apretado firmemente al tubo central.
- Sin doblar.
- Sin pegar al tubo central.
- Enrollado con la cara de impresión hacia fuera.

5.3 Ajuste manual de los interruptores de memoria

Los interruptores de memoria se utilizan para configurar distintos parámetros de la impresora. Los interruptores de memoria se pueden configurar manualmente (con la mano directamente en la impresora) o mediante comandos. En esta sección se explica cómo realizar la configuración manual. La configuración de los interruptores de memoria se realiza en el modo de configuración de los interruptores de memoria o en el modo de configuración de los interruptores DIP virtuales. En el modo de configuración de los interruptores de memoria, puede ajustar los valores de MSW1 a MSW13. En el modo de configuración de los interruptores DIP virtuales, puede ajustar los valores de MSW1 a MSW6.

Para obtener información sobre cómo configurar los interruptores de memoria mediante comandos, consulte la Referencia de comandos.

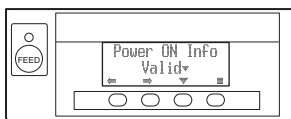
Esquema del procedimiento

1. **Entre en el modo de configuración de los interruptores de memoria o en el modo de configuración de los interruptores DIP virtuales.**
2. **Modifique los ajustes según sea necesario.**
3. **Vaya al menú correspondiente para guardar la configuración.**
4. **Guarde la configuración.**

Modo de configuración de los interruptores de memoria

Mientras aparece "En línea", pulse prolongadamente el botón 4 (MENU) durante al menos dos segundos. O bien, con papel cargado, pulse prolongadamente el botón 3 y encienda la impresora.

Entre en el modo de configuración de los interruptores de memoria.

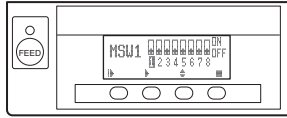


- Pulse el botón 1 (◀) o el botón 2 (▶) para seleccionar los elementos que va a ajustar.
- Pulse el botón 3 (▼) para seleccionar un valor del elemento seleccionador.
- Pulse el botón 4 (■) para ir al menú correspondiente para guardar la configuración.
- **Para recuperar la configuración de fábrica de todos los interruptores de memoria:**
Pulse el botón 1 hasta que aparezca "Factory Setting /Set" (a partir de MSW13-6). Pulse prolongadamente el botón 4 durante al menos dos segundos. Todos los interruptores de memoria recuperan su configuración de fábrica.

Modo de configuración de los interruptores DIP virtuales

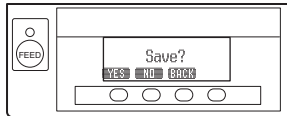
Con papel cargado, pulse prolongadamente el botón 2 mientras enciende la impresora.

Entre en el modo de configuración de los interruptores DIP virtuales.



- Pulse el botón 1 (▶) para seleccionar un número de interruptor de memoria. (Los interruptores van pasando en este orden: MSW1 → MSW2 → ... → MSW6 → MSW1)
- Pulse el botón 2 (◀) para ir pasando del interruptor 1 al interruptor 8. (La selección forma un bucle, de 8 se pasa a 1.)
- Pulse el botón 3 (↕) para alternar entre ON y OFF.
- Pulse el botón 4 (■) para ir al menú correspondiente para guardar la configuración.

Menú para guardar la configuración



- Pulse el botón 1 (YES) para guardar la configuración y volver a la pantalla "En línea"
- Pulse el botón 2 (NO) para no guardar la configuración y volver a la pantalla "En línea"
- Pulse el botón 3 (BACK) para volver al modo anterior.

En la siguiente tabla se muestra la función de cada interruptor de memoria. (Los valores sombreados son ajustes de fábrica.)

Nº de interruptor	Función	OFF	ON
MSW1-1	Power ON Info	Valid	Not Send
MSW1-2	Buffer Size	4K bytes	45 bytes
MSW1-3	Busy Condition	Full/Err	Full
MSW1-4	Receive Error	Print“?”	No Print
MSW1-5	CR Mode	Ignored	LF
MSW1-6	Reserved	Fixed	—
MSW1-7	DSR Signal	Invalid	Valid
MSW1-8	Init Signal	Invalid	Valid
MSW2-1	Reserved	—	Fixed
MSW2-2	Auto Cutter	Invalid	Valid
*1 MSW2-3	Spool Print	Invalid	Valid
MSW2-4	Full Col Print	LineFeed	WaitData
MSW2-5	Resume aft PE	Next	Top
MSW2-6	Reserved	Fixed	—
MSW2-7	Reserved	Fixed	—
MSW2-8	PNE Sensor	Valid	Invalid
MSW3-1	Resume Ctrr Err	Valid	Invalid
MSW3-2	PE signal by PNE	Valid	Invalid
MSW3-3	Parallel 31 Pin	Valid	Invalid
MSW3-4	Reserved	Fixed	—
MSW3-5	Reserved	Fixed	—
MSW3-6	Reserved	Fixed	—
MSW3-7	CBM1000 Mode	Invalid	Valid
MSW3-8	Resume Open Err	Close	Command
MSW4-1	Reserved	Fixed	—
*2 MSW4-1	P.Length Set	Auto Measure	Command
MSW4-2	Reserved	Fixed	—
*2 MSW4-2	Power on TOF	Invalid	Valid
MSW4-3	Feed&Cut at TOF	Invalid	Valid
*2 MSW4-3	Feed&Cut at TOF	Invalid	Valid
MSW4-4	Reserved	Fixed	—
*2 MSW4-4	Paper Select	Thermal Roll	BM P/Lbl P
MSW4-5	Reserved	Fixed	—
*2 MSW4-5	Position Detect	Black Mark	Label
MSW4-6	Reserved	Fixed	—
*2 MSW4-6	Measure at Close	Invalid	Valid
MSW4-7	Reserved	Fixed	—
MSW4-8	Partial Only	Invalid	Valid
MSW5-1	Buzzer	Valid	Invalid
MSW5-2	Line Pitch	1/360	1/406

Nº de interruptor	Función	OFF	ON
MSW5-3	USB Mode	Virtual COM	Printer Class
MSW5-4	Reserved	Fixed	—
MSW5-5	Gradation Quality	Quality	Speed
MSW5-6	Reserved	Fixed	—
MSW5-7	Reserved	Fixed	—
MSW5-8	Reserved	Fixed	—
MSW6-1	Act. For Driver	Invalid	Valid
MSW6-2	Character Space	Invalid	Valid
MSW6-3	USB Power Save	Invalid	Valid
MSW6-4	Reserved	Fixed	—
MSW6-5	Reserved	Fixed	—
MSW6-6	Reserved	Fixed	—
MSW6-7	Reserved	Fixed	—
MSW6-8	Reserved	Fixed	—

Nº de interruptor	Función	Valor inicial	Valor de configuración
*3 MSW7-1	Baud Rate	9600 bps	1200 bps, 2400 bps, 4800 bps, 9600 bps, 19200 bps, 38400 bps, 57600 bps, 115200 bps
*3 MSW7-2	Data Length	8bits	7bits, 8bits
MSW7-3	Stop Bit	1bit	1bit, 2bits
*3 MSW7-4	Parity	NONE	NONE, EVEN, ODD
*3 MSW7-5	Flow Control	DTR/DSR	DTR/DSR, XON/XOFF
MSW7-6	DMA Control	Valid	Valid, Invalid
MSW7-7	VCom Protocol	PC Setting	PC Setting, DTR/DSR, XON/XOFF
MSW8-1	Print Width	576dots	640 dots, 576 dots, 546 dots, 512 dots, 436 dots, 432 dots, 420 dots, 390 dots, 384 dots, 360 dots
MSW8-2	Paper Type	1 Color Normal	1 Color Normal, 2 Color Normal
MSW8-3	Top Margin	11mm	3mm, 4mm, 5mm, 6mm, 7mm, 8mm, 9mm, 10mm, 11mm
MSW8-4	Line Gap Reduce	Invalid	Invalid, 3/4, 2/3, 1/2, 1/3, 1/4, 1/5, ALL
MSW8-5	Reduced Char V/H	100% / 100%	100% / 100%, 75% / 100%, 50% / 100%, 100% / 75%, 75% / 75%, 50% / 75%
MSW8-6	Auto Side Shift	Invalid	Invalid, 1 dots, 2 dots, 3 dots, 4 dots, 5 dots, 6 dots, 7 dots
MSW8-7	Liner Free Mode	Invalid	Invalid, 1h, 6h, 12h, 18h, 24h, 5m, 10m, 15m, 20m, 30m
MSW9-1	Code Page	PC 437	PC 437, Katakana, PC 850, PC 858, PC 860, PC 863, PC 865, PC 852, PC 866, PC 857, WPC1252, Space page, PC 864, ThaiCode11 1Pass, ThaiCode11 3Pass, ThaiCode18 1Pass, ThaiCode18 3Pass, TCVN-3
MSW9-2	Int'Char Set	USA	USA, France, Germany, England, Denmark, Sweden, Italy, Spain, Japan, Norway, Denmark 2, Spain 2, Latin America, Korea, Croatia, China, Vietnam

Nº de interruptor	Función	Valor inicial	Valor de configuración
MSW9-4	Multi-byte Char	Invalid	JIS(JPN), SJIS:CP932 (JPN), SJIS:X0213(JPN), GB18030(CHN), KS Hangul(KOR), EUC Hangul(KOR), BIG5(TWN), Invalid
MSW9-6	LCD Language	English	English, Français, Deutsch, Italiano, Español, Japanese, Chinese
MSW9-7	LCD Ext. Char	Valid	Invalid, Valid
MSW9-8	LCD Auto Off	Never	Never, 30seconds, 5minutes
MSW10-1	Print Density	100 %	70 %, 75 %, 80 %, 85 %, 90 %, 95 %, 100 %, 105 %, 110 %, 115 %, 120 %, 125 %, 130 %, 135 %, 140 %
MSW10-2	Print Speed	Level 9	Level 1, Level 2, Level 3, Level 4, Level 5, Level 6, Level 7, Level 8, Level 9
MSW10-3	ACK Timing	Before Busy	Before Busy, Same Period, After Busy
MSW10-4	Old Command	Invalid	Invalid, CBM1, CBM2
MSW10-5	Buzzer Event	Not by C.Open	All Event/Error, Not by C.Open, Not by C.Open/PE
MSW10-6	Buzzer Sound	Tone 2	Tone 1, Tone 2, Tone 3, Tone 4
MSW10-7	Key Lock	Invalid	Invalid, Valid
MSW10-8	LCD Direction	Normal	Normal, Inverted
MSW13-1	Security/Target	Low/All	Low/All, Mid/All, Mid/Paired only, Hi/All, Hi/Paired only
MSW13-5	BT Device Scan	Discoverable	No Response, Discoverable
MSW13-6	Auto Reconnect	Valid	Invalid, Valid

Notas:

*1: Si los datos de impresión son muy densos, el cabezal de impresión está caliente, la transmisión de datos es lenta u otras circunstancias, el motor y la impresión podrían detenerse ocasionalmente, dando lugar a la aparición de bandas blancas en la impresión. Para imprimir datos de alta densidad, ajuste los MSW2-3 (Spool Print) en ON para reducir la aparición de bandas aunque ello aumente el tiempo de inicio de la impresión.

Con una interfaz serie, incremente la velocidad de transmisión para impedir que el motor se pare.

*2: Modo de marcas negras

*3: Los valores de los interruptores de memoria MSW7-X sólo tienen efecto cuando el interruptor DIP Nº 1 está ajustado en OFF.

CITIZEN SYSTEMS AMERICA CORPORATION

1411 West 190th Street, Suite 675 Gardena, CA 90248

Tel: (310) 781-1460 Fax:(310) 781-9152

<http://www.citizen-systems.com>

CITIZEN SYSTEMS EUROPE GmbH

Otto-Hirsch-Brücken 17
70329 Stuttgart
Germany

Tel: +49 (0) 711 49032-0

Fax: +49 (0) 711 49032-45

<http://www.citizen-europe.com>

Elizabeth House, 56-60 London Road
Staines-Upon-Thames, TW18 4HF
United Kingdom

Tel: +44 (0) 20 8893 1900

Fax: +44 (0) 20 8893 0080

CITIZEN SYSTEMS JAPAN CO., LTD.

6-1-12, Tanashi-cho, Nishi-Tokyo-shi Tokyo, 188-8511. Japan

Tel: +81 (0) 42 468 4608 Fax:+81 (0) 42 468 4687

<https://www.citizen-systems.co.jp/printer/>

CT-S851II_UM_1425L

A90803E-2202

DECEMBER 2023